

Video Security



A06Z02NDDC/IRSF

F1.8/6-13mm DC Lens with IR-Filter,
variable focal Length, 1/2" C Mount

Art-No. 43193



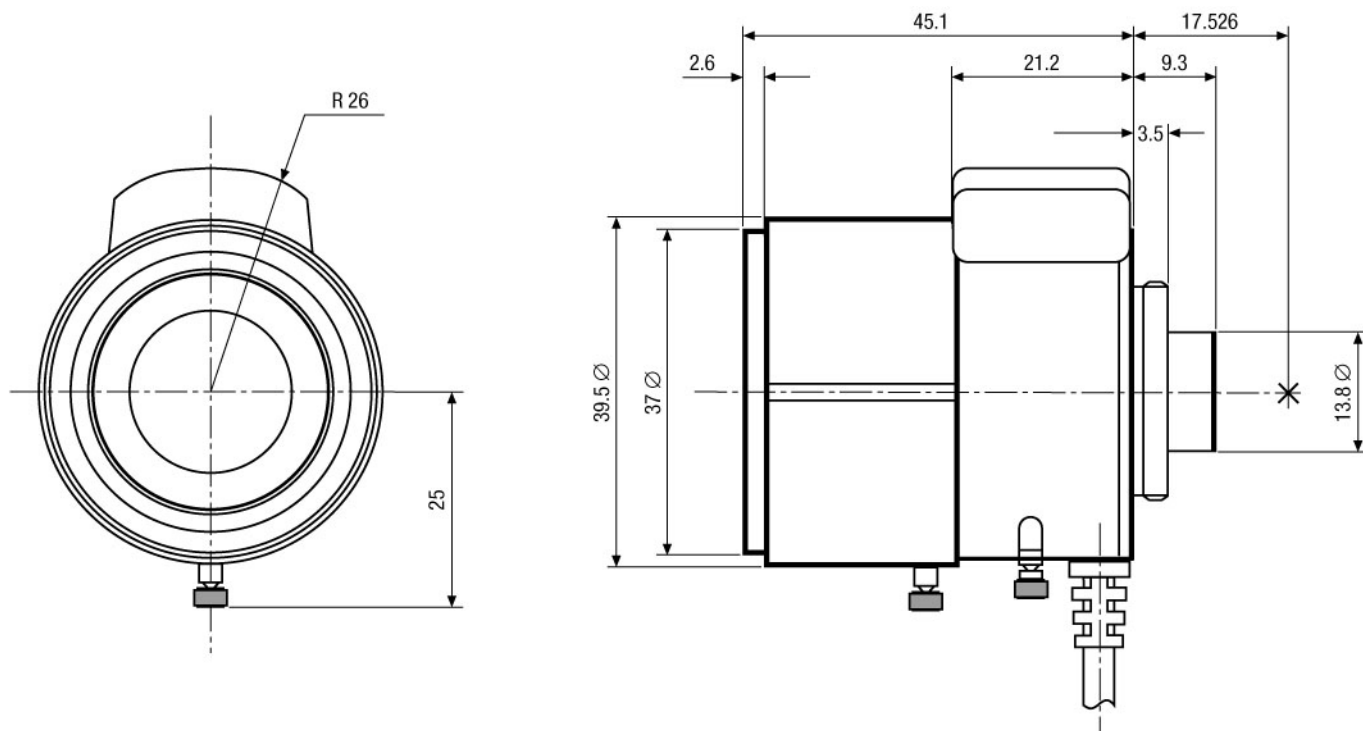
Features

Suitable for 1/2" and 1/3" Colour and B&W Cameras
Variable Focal Length
With Integrated IR Cut Filter
CS Mount

High Standard of Optical and Mechanical Quality
Without Built-in Auto Iris Amplifier
With 4-pin Connector
Adjustable Slip-ring Mount for Cable Positioning

Specifications

Nominal format size	1/2"
Focal length (f)	6-13 mm
Aperture range (F)	F1.8-F180
Iris control system	Galvanometer
Horizontal angle of view at nominal format size	60.3°-28.5°
Minimum object distance (M.O.D.)	0.3 m
Flange focal length	17.5 mm
Screw-in depth	9.3 mm
Filter screw size	-
Slip-ring mount	340°-360° Variable adjustment range
Cable length	Approx. 20 cm
4-pin plug	Standard
Lens mount	C
Temperature range	-20°C to +50°C
Dimensions (LxDxH)	45.1x39.5x26 mm
Weight	97 g
Special feature	Built-in IR cut filter



Maße/Dimensions: mm

VIDEOR TECHNICAL E. Hartig GmbH
 Carl-Zeiss-Straße 8 · 63322 Rödermark · Germany
 Telefon +49 (0) 60 74/8 88-0 · Telefax +49 (0) 60 74/8 88-100
 info@videortechnical.com · www.videortechnical.com

