



A Tyco International Company

GSM/GPRS Universal Wireless Alarm Communicator **GS3125**

Features That Make a Difference:

- GSM Quad-Band
- Simulates land line
- Switches to GSM Network in the event of land line trouble (line down)
- Remote programming by www.dscreachme.com web page
- PC-Link connection for power panel remote programming by GPRS network with DLSIV
- 3 programmable terminals as outputs or input on GS3125
- Telephone voice dialer: 8 voice messages of up to 16 s each
- SMS dialer: 11 SMS messages of 100 characters (2 for each input, 4 for Status & 1 Periodic)
- 8 telephone numbers for the Telephone & SMS dialers
- Supports Contact ID format from a connected panel, for communication over the GPRS network to the Sur-Gard® System I/II/III
- 4 phone numbers for Contact ID Dialer on GPRS
- Up to 100 telephone numbers for the remote activation of the outputs through caller identification (zero charges)
- Remote activation of the outputs through SMS transmission
- Program max 100 telephone numbers to have access to the device (White List) to trigger the onboard outputs and block all others (Black List)
- Credit balance check for pre-paid SIM Cards
- Monitoring of communication service when used in conjunction with a VoIP service (PTM)
- PC-programmable options



Communicating... Simply...Anywhere!

The GS3125 is a GSM interface and a standalone device capable of generating voice dialer messages and SMS event notifications. Its onboard outputs can be triggered remotely via telephone to activate external equipment or indicators. The GS3125 simulates the PSTN line and decodes Contact ID format, so it is virtually "invisible" to the control panel it is connected to.

Simple to install and program (plug and play approach), the GS3125 is equipped with a quad band GSM/GPRS radio and remote antenna with magnetic base. Its extremely small size and low current draw allows for installation inside the control panel's cabinet and does not require an additional battery.

The GS-3125 is the best solution for reliable GSM alarm communication back up for the majority of applications, whether new or existing system upgrades.

Always Have Control

With the GS-3125 GPRS connectivity, the security installer is able to program and manage the PowerSeries panel remotely using DLS4 software. In the same way, via the www.dscreachme.com web page, installers can program the GS3125 and check the main unit parameters (GSM/GPRS range, incoming/outgoing call, etc).

Supervised Communications

Using the GPRS network, the GS-3125 is continuously supervised by the central station.

In case of unit tamper, GPRS fault or loss of communication with the central station, the operator receives a tamper signal in real time to identify the required action.

TERMINAL DESCRIPTION			
+V	Power Supply positive: 9.6 to 27.6 Vdc		This terminal must be connected to the Mains Earth
	Negative	LE	These terminals must be connected to the land line
T1	These terminals can be programmed as: Open collector outputs; input lines	LI	These terminals must be connected to the control panel
T2			
T3			

PART IDENTIFICATION			
1	GSM antenna with magnetic base and 25 cm cable	6	GSM Module
2	Status LED's	7	Terminal Blocks
3	SIM holder	8	Adhesive plastic support
4	SIM-Card (not provided)	9	Metal base
5	connector for power series remote programming	10	Cover

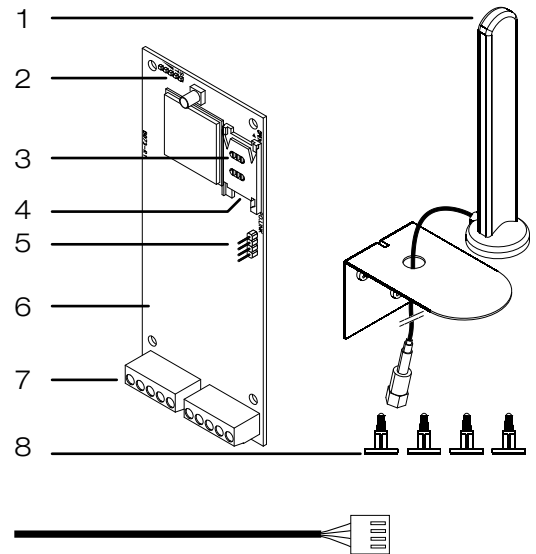
Specifications

Input Voltage 10 to 27.6 Vdc
 Standby current..... 100 mA max. (outputs excluded) at 13.8 Vdc
 Maximum alarm (Transmitting) current 200 mA average (outputs excluded) at 13.8 Vdc
 Outputs 3 open collector, 100 mA
 Operating Frequency 900/1800 Mhz or 850/1900 Mhz
 Max. loop resistance of line between the device connected in series on LI 1 Kohm
 Maximum number of parallel devices connected on LI 2
 Operating temperature 5 to 40° C / 41 to 104° F
 Dimensions (PCB only) 60.5 (W) x 142 (H) mm
 Dimensions (casing without antenna).....90 (W) x 190 (H) x 75 (D) mm
 Weight (casting without antenna) 348 g

Ordering information

GS3125-K	Kit, including GSM/GPRS communicator, antenna with 2 m cable, metal bracket and PC-Link cable
GS3125-BA	Kit, including GSM/GPRS communicator, antenna with 25 cm wire, casing and PC-Link cable

GS3125-K



Cable connects to PC-Link and PowerSeries

GS3125-BA

