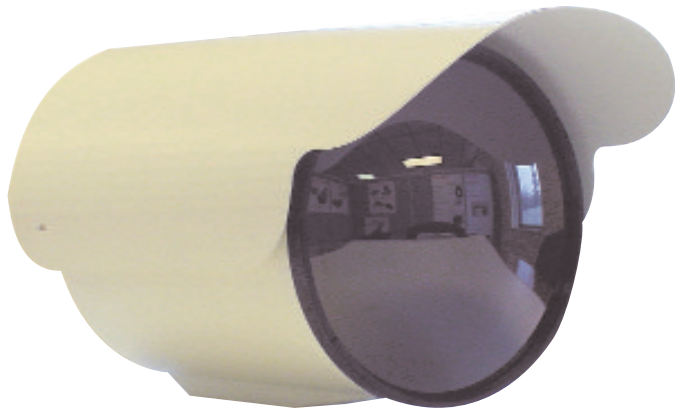
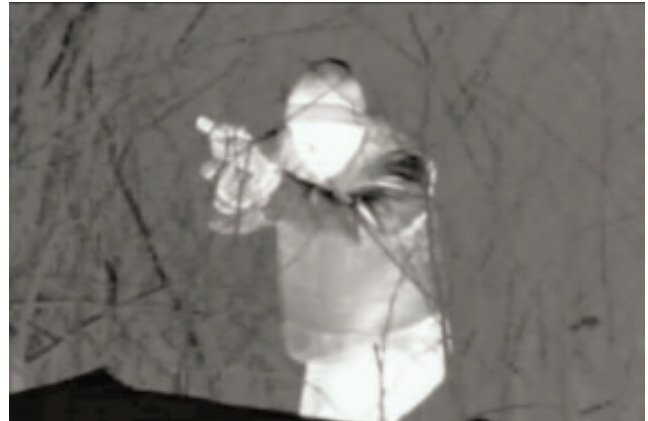


Security/Public Safety

LANSCOUT 60/180



Thermal Imaging Solutions Since 1976



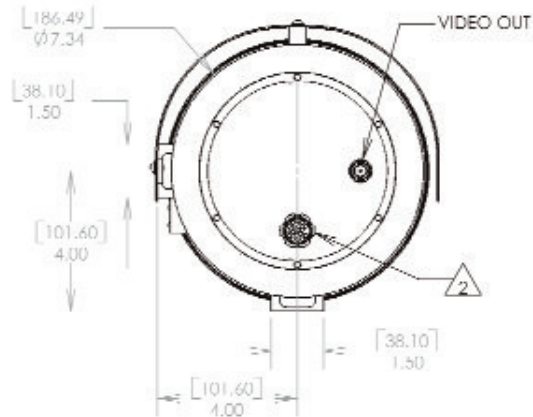
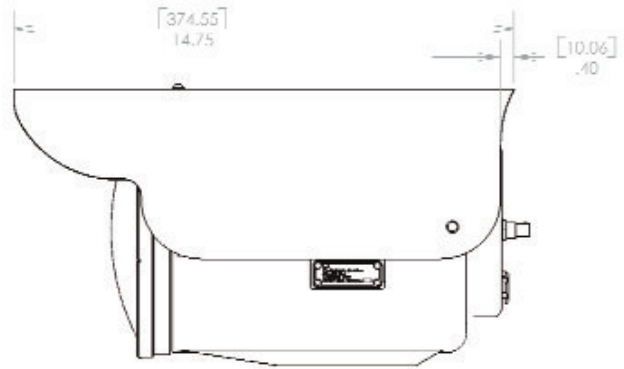
DiOP

Long Wave Thermal Imaging Camera

The DiOP LANScout 60/180 Long Wave Uncooled Thermal Imager offers effective options in surveillance solutions delivered in an economic, compact package. Exhibiting unsurpassed reliability, the LANScout Imager provides a striking thermal picture every time.

The LANScout 60/180 is a dual field of view camera that transmits clear thermal images with a horizontal field of view of 15.2° at 60 mm and 5.1° at 180mm. Like all LANScouts, it incorporates uncooled VOx microbolometer technology in a 320×240 , 51 micron pitch focal plane array. Sensors operate in the $8-12\mu\text{m}$ spectral region, the best choice for cold or dry environments; the system is immune to solar glint and provides high transmission through smoke, aerosols, or fog. DiOP's proprietary germanium optics enable the uncooled sensor to operate at its maximum capability, while extremely efficient coatings on interior elements enhance transmission performance. The LANScout's optical front element, equipped with an automatically controlled defroster, is protected with a proprietary diamond-hard carbon coating designed for use in the harshest of environments; a dry nitrogen backfilled environmentally sealed housing eliminates the need for additional enclosures. DiOP's user-friendly plug and play camera operation and RS232 remote control capability permit ease of integration into any client-based security system.

Since 1976 DiOP has provided leading equipment. DiOP's proprietary optical designs, state-of-the-art electronics, and vertically integrated manufacturing capabilities ensure maximum performance and dependability.



Features Include:

- ◆ Uncooled Sensor Technology
- ◆ Environmentally Sealed
- ◆ Dry Nitrogen Back Filled
- ◆ Remote Control Capability

The Lens The Electronics The Solution

System Specifications

Part Number	22903
Video Format	CCIR601 NTSC or PAL-M
Frame Rate	60 Hz
Serial Interface	RS-232 or RS-422
Power Requirements	4-12V DC < 5 watts typical @ steady state, 25°C
Environmental	Unit is sealed and backfilled with dry nitrogen. Fully qualified to MIL-STD-810, Front Element Defroster
Camera Controls	Controls are available on a hand held pendant, rack mounted controller, or through a PC via an RS232/RS422 link.
NEDT	< 80 mK
Mounting	¼ -20 Tripod Interface
Weight	< 12 kgs



Sensor Specifications

Detector	320 x 240 VOx Uncooled Microbolometer FPA, 51 μm pitch
Spectral Band	7-14 μm
Detector MTBF	10,000 hours

Optical Characteristics



Spectral Range	7-14 μm
f/#	1
Type	Motorized Remote Focus Optical System
Field of View	15.5° x 11.6° and 5.2° x 3.9°

Call us at 603.898.1880 or visit
our website www.DiOP.com
for more information!

Range Performance

D= Detection
R= Recognition
I = Identification

GREEN = Good Conditions
RED = Poor Conditions
BLUE = Same in all conditions

 = Target Size (1x1m)
 = Target Size (2.3x2.3m)

Range in Kilometers

