

## ExtremeX



Thermal Imaging Solutions Since 1976

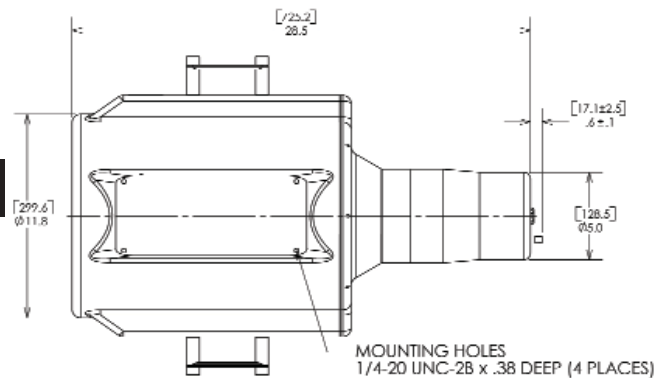


### Long Range Thermal Imaging Camera

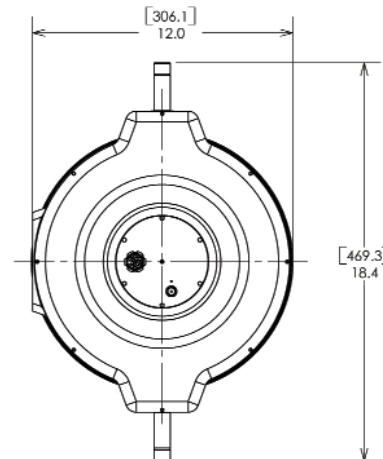
The DiOP ExtremeX is a commanding solution to the long-range thermal imaging requirements of the security and surveillance sector. A rugged camera with extensive detection capabilities, the ExtremeX combines impressive performance with DiOP reliability and ease of use.

The ExtremeX has the most powerful detection capacity of DiOP's thermal imagers. It provides man sized target detection at nearly 17km, with identification at 3km in good conditions, as well as the ability to alternate rapidly among three focal lengths (250, 500, and 1000mm). Operating in the 3-5 micron spectral region, the best choice for marine and high humidity environments, the ExtremeX incorporates advanced cooled photodetector technology in a 320 x 256 InSb, 30 micron pitch focal plane array. DiOP's proprietary environmentally sealed, nitrogen backfilled enclosure ensures simple secure installation and stability over variable temperatures and conditions. Remotely controlled and user friendly, the ExtremeX employs the plug and play operation for which DiOP Thermal Camera Systems are recognized.

Since 1976 DiOP has provided industry-leading equipment to the public safety sector. DiOP's proprietary optical design, state-of-the-art laboratories, and vertically integrated manufacturing capabilities ensure maximum performance and dependability. DiOP products guarantee a world class solution to your thermal imaging needs.



**P/N 22880**



### Features Include:

- ◆ Furthest Target Detection in Market (over 20 kilometers!)
- ◆ Tri Field of View
- ◆ Environmentally Sealed
- ◆ Back Filled Nitrogen
- ◆ Remote Control Capability

## System Specifications

Part Number	22880
Length	21.55"
Weight	< 42 lbs
Video Format	CCIR601 NTSC or PAL-M
Frame Rate	60 Hz
Serial Interface	RS-232 or RS-422
Power Requirements	11-16V DC/ 24 watts typical @ 25°C
Environmental	Unit is sealed and backfilled with dry nitrogen. Fully qualified to MIL-STD-810e, Front Element Defroster
Operating Temp. Range	-20°C to +50°C (outdoor components)
Non-Operating Temp Range	-40°C to +70°C (outdoor components)
Camera Controls	Controls are available on a hand held pendant, rack mounted controller, or through a PC via an RS232/RS422 link.
NEDT	< 38 mK
Mounting	¼ -20 Tripod Interface, DiOP AntiVibration Mount

## Sensor Specifications

Detector	320 x 256 InSb FPA 30 µm pitch, usable format 320 x 240
Spectral Band	3-5 µm
Detector MTBF	7500 hours

## Optical Characteristics



Spectral Range	3-5 µm
f/#	4
Type	Motorized Remote Focus Optical System
Field of View	2.2° x 1.65° (Wide), 1.10° x 8.2° (Mid), .55° x .14° (Narrow)

Call us at 603.898.1880 or visit our website [www.DiOP.com](http://www.DiOP.com) for more information!

# Range Performance

D= Detection  
R= Recognition  
I = Identification

**GREEN** = Good Conditions  
**RED** = Poor Conditions  
**BLUE** = Same in all conditions

 = Target Size (1x1m)  
 = Target Size (8x8m)

## Range in Kilometers

