



DMT17 17" LCD CCTV Monitor

The DMT Series of ultra-thin Flat Screen Color LCD Displays offer exceptional performance and value for a wide range of applications including retail, commercial and residential CCTV surveillance. Offering superior image quality, this high resolution, high contrast, display can be viewed to an angle of up to 88 degrees and also features an innovative mounting stand that can be desk or ceiling mounted and provides remarkable adjustment versatility.

features

- High Resolution: 600 TV Lines (composite video mode)
- Advanced image scaling
- Brightness of 300cd, Contrast Ratio 700:1
- Composite video, S-Video, VGA, Audio Inputs
- 19" Rack mountable
- VESA Wall-Mount Compatible (100mm x 100mm)

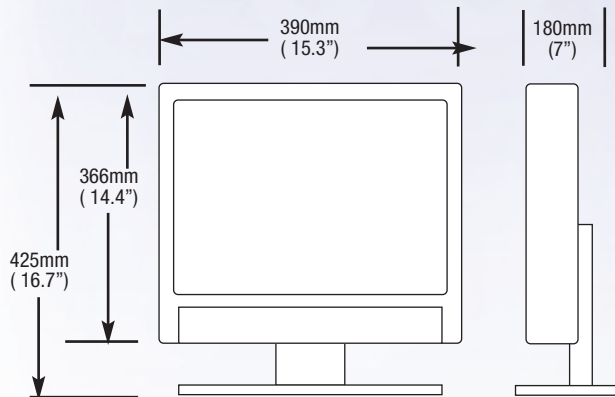
Specifications

Picture Tube	17" LCD CCTV Monitor 0.264 Pixel Pitch
Resolution	SXGA (1280 x 1024)
Sound Output	0.5w
Speaker	Max 2W. 8 ohm 30 x 70mm
Power Source	AC 100 - 240v 50/60Hz
Power Consumption	33+3(W)
Brightness	300 cd/m2
Weight (NET)	6 Kg / 4.5 Kg (without stand)
Terminals	Video CH 1, 2 in/out Audio CH 1, 2 in /out S-Video in VGA Inputs



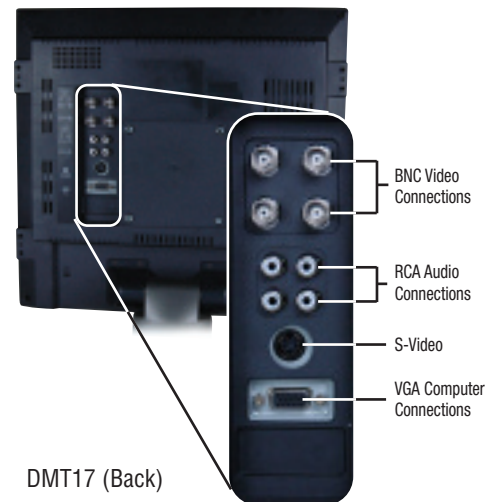
DMT17 (Front)

DMT17 17" LCD CCTV Monitor



Dimensions:
390 (W) x 425 (H) x 180mm (D) / 15.35in x 16.73in x 7.08in

(without stand)
390 (W) x 366 (H) x 65mm (D) / 15.35in x 14.40in x 2.55in



DMT17 (Back)

Distributed by: