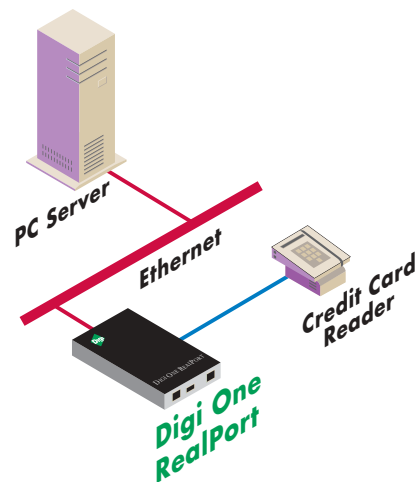


Digi One™ RealPort

Device Server



The Digi One RealPort device server is designed for standard serial-to-Ethernet connectivity. It is ideal for applications requiring seamless integration to existing application environments and network device management.



Features/Benefits

- > Patented Digi RealPort® technology for COM or TTY port control and management
- > TCP/UDP Socket Services for broad device connectivity and application use
- > Reverse Telnet and auto-connect using Rlogin, Telnet or raw
- > Easy configuration through web interface (HTTP)
- > SNMP for easy network management
- > PPP for network enabling serial device
- > Industry leading low latency

Overview

The Digi One RealPort delivers simple, reliable and cost-effective network connectivity for virtually any serial device. The Digi One RealPort easily addresses the growing need to connect individual devices to the network over industry standard Ethernet in many applications – including retail/point of sale, building control, and medical point-of-care.

Part of Digi's broad device server offering, the Digi One RealPort delivers high-performance serial-to-Ethernet connectivity and is ideal for applications requiring COM ports, serial tunneling, or where TCP Socket, UDP Socket, or UDP Multicast functionality is needed. Digi's patented RealPort technology delivers the industry's most robust, reliable, and versatile COM port control and management. RealPort technology makes it possible to establish a connection between the host and networked serial device by creating a local COM or TTY port on the host computer, allowing software applications to work with networked device servers instead of requiring host adapter.

The Digi One RealPort is easy to install locally or remotely through a variety of IP addressing methods (DHCP, RARP, ARP-Ping) along with an application (included on the installation CD that accompanies the product) that will automatically detect all Digi One RealPort devices on your network .

Digi International, the leader in Connectware, makes device networking easy by manufacturing products and technologies that are cost-effective and easy to use. With over 20 million ports shipped worldwide, Digi has been offering the highest levels of performance, flexibility, and quality since 1985.



Connectware™

www.digi.com

Making
DEVICE NETWORKING

Features/Specifications

FEATURES

- Low latency
- TCP/UDP Socket Services
- UDP Multicast
- Telnet and Reverse Telnet
- Patented RealPort technology for COM and TTY ports
- PPP
- HTTP
- SNMP (read/write)
- Digi Port Authority – Remote management diagnostics and Auto-discovery tool
- DHCP/RARP/ARP-Ping, Static IP for IP Address assignment
- 10/100Base-T Ethernet support
- RJ-45 serial port; EIA-232 interface
- Baud rates up to 230 Kbps
- Full modem and hardware flow control
- LED status for link and power
- RJ-45/DB-9F crossover cable included for configuration

REGULATORY APPROVALS

- FCC Part 15, B
- CE
- ICES-003, B
- EN55022, B
- EN50082-2
- UL 1950
- CSA 22.2 No 950
- EN 60950
- AS3548

OPERATING SYSTEMS

RealPort drivers for COM/TTY support

- AIX
- HP-UX
- Linux
- Microsoft® Windows XP®
- Microsoft Windows 2000®
- Microsoft Windows NT®
- SCO® OpenServer™
- SCO UnixWare™
- Solaris™ (Intel)
- Solaris (SPARC)



DIMENSIONS

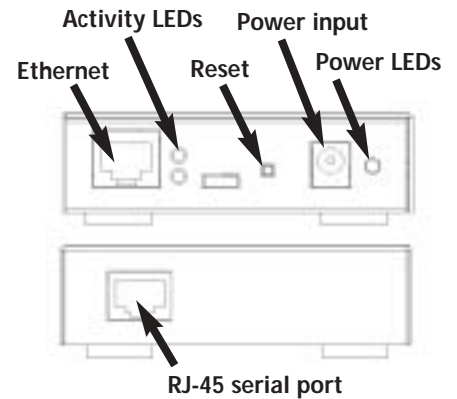
- Length: 5.42 in (13.31 cm)
- Width: 3.3 in (8.46 cm)
- Depth: .952 in. (2.42 cm)
- Weight: 2.25oz (64 g)

POWER REQUIREMENTS

- Ships with 110/240 VAC at 3.3Vdc @ .75 Amps max

ENVIRONMENTAL

- Ambient temperature: 0°C to 60°C (32°F to 140°F)
- Relative humidity: 5% to 90% (non-condensing)



MODEL.....PART NUMBERS

Model
Digi One RealPort

North America
700001749

International
700001752

DIGI SERVICE AND SUPPORT

You can purchase with confidence knowing that Digi is here to support you with expert technical support and a strong five-year warranty. <http://support.digi.com>

Digi International
11001 Bren Road E.
Minnetonka, MN 55343
U.S.A.
PH: 877-912-3444
952-912-3444
FX: 952-912-4952

Digi International GmbH
Joseph-von-Fraunhofer Str. 23
D-44227 Dortmund
Germany
PH: +49-231-9747-0
FX: +49-231-9747-111

Digi International (HK) Limited
Suite 1101-02, 11/F
K Wah Centre
191 Java Road
North Point, Hong Kong
PH: +852-2833-1008
FX: +852-2572-9989

www.digi.com

email:
info@digi.com



Connectware™