



# D411-TP22H33V12L

# D411-TP22H33V12LHTR

**ALUMINIUM VANDAL DOMES, TRUE DAY/NIGHT,  
IR LED'S, 3.3~12MM LENS, 12VDC/24VAC**

## KEY FEATURES

- Die-cast aluminium shell with polycarbonate bubble
- Surface mount
- Indoor/outdoor use, built to IP66
- Sony SuperHAD II CCD with removable IR cut filter
- 540 TVL in colour, 580 TVL in Mono
- Surface or flush mount
- 0.00 Lux @ F1.2 with IR LED's ON
- 3.3~12mm vari-focal lens
- 18 IR LED's with IR distance up to 18m
- DNR, RCC, PWI features, motion detection , privacy masking
- Second video output with service lead for easy configuration included
- D411-TP22H33V12L: Standard version
- D411-TP22H33V12LHTR: Built-in heater for operation down to -20°C



Our true day/night D411 domes will give you outstanding image quality in environments where the light level is very low. They are the ideal solution for applications such as car parks, hotels, underpasses, petrol stations, airports, public houses, etc.

## GENERAL SPECIFICATIONS

|                                    |   |
|------------------------------------|---|
| Mount                              | Surface   |
| CCD type                           | Sony Super HAD II CCD   |
| Total number of active pixels      | 752(H) X 582(V)   |
| Scanning system                    | PAL 625 Line 2:1 Interface  |
| Min. illumination                  | 0.14 Lux @ F1.2 (30IRE colour DSS OFF), 0.03 Lux @ F1.2 (30IRE mono, DSS OFF),<br>0.00 Lux @ F1.2 (with IR LED's ON)          |
| Resolution                         | 540 TVL in colour, 580 TVL in mono  |
| Lens focal length                  | 3.3 ~ 12mm  |
| Video output                       | 1.0Vp-p / 75 ohm composite  |
| S/N ratio                          | 52dB  |
| OSD                                | Yes   |
| Power requirements and consumption | D411-TP22H33V12L: DC 12V - 5.7W with LED's ON / AC24V - 5.2W with LED's ON<br>D411-TP22H33V12LHTR: DC 12V - 13W / AC24V - 15W |
| Operation temperature              | -10°C ~ +55°C / with heater : -20°C ~ +55°C   |
| Storage temperature                | -20°C ~ +70°C   |
| Operation humidity                 | Under 90% (non-condensing)  |
| IP rating                          | IP 66   |
| Weight                             | 910 g   |

## OSD FUNCTIONS

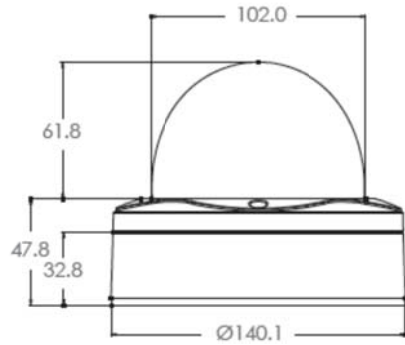
|                          |   |
|--------------------------|---|
| Exposure                 | Lens: Manual/DC/video<br>Electronic Shutter: Auto / 1/50 / Flickerless / 1/250 ~ 1/100000 / Sens-up (x2 ~ x256) |
| BLC                      | OFF / BLC / HME   |
| BLC / HME                | 64 zones  |
| AGC                      | OFF / Low / Middle / High   |
| Sens-up                  | OFF / Auto (x2 ~ x256)  |
| White balance            | ATW / AWC / Indoor / Outdoor / Manual / Push Lock / R-Y Gain 0 ~ 100, B-Y Gain 0 ~ 100                          |
| Day & Night              | Auto / Colour / B & W   |
| Mirror function          | OFF / Mirror / V-flip / Rotate  |
| Sharpness                | 0 ~ 31  |
| Gamma                    | 0.05 ~ 1.0  |
| Freeze                   | OFF / ON  |
| Negative video           | OFF / ON  |
| Digital zoom             | OFF / ON (Zoom x1.0 ~ x32 / Pan / Tilt)   |
| Digital noise reduction  | OFF / ON  |
| Dynamic Range Controller | OFF / Indoor / Outdoor  |
| Motion detection         | OFF / ON, 4x programmable areas   |
| Privacy                  | OFF / ON, 7x programmable areas   |
| Synchronisation          | INT / LL (0 ~ 359)  |
| Camera ID                | OFF / ON  |
| RS485                    | Adjustable camera ID and baudrate (2400 / 4800 / 9600)  |
| OSD language             | English   |



deView Europe  
Falcon Court, Petre Road  
Clayton le Moors, Lancashire  
BB5 5JZ, United Kingdom  
Phone: +44 (0) 1254 302 490  
Email: sales@devieweurope.com

Fax: +44 (0) 1254 302 491  
Web: www.devieweurope.com

## DIMENSIONS (MM)



## OPTIONAL WALL MOUNT BRACKET (D410-WMB)



deView Europe  
Falcon Court, Petre Road  
Clayton le Moors, Lancashire  
BB5 5JZ, United Kingdom  
Phone: +44 (0) 1254 302 490  
Email: sales@devieweurope.com

Fax: +44 (0) 1254 302 491  
Web: www.devieweurope.com