

High Performance

# Uniflood 500

Night-time illumination for CCTV



## Uniflood 500

Derwent's High Power solution to night-time illumination for CCTV schemes.

Smaller, lighter and more efficient, this high-power illumination system can be used for scenes up to 200 metres long and up to 60° wide

High efficiency Infra-Red radiation achieved with gold optics and matched quartz halogen bulb source combined to reduce power consumption and prolong average bulb life

Colour version with mired shift filter for balanced, visible white light output



IR OFF (Zoom)



IR ON (Zoom)

Scene 200 Metres

The unique Derwent cosec<sup>2</sup>, 10° and 30° lenses offer even illumination over large scene areas to provide foreground to background video for today's CCTV cameras

### Uniflood 500 Series High Performance

High output Radiation through high efficiency gold optics and high output bulb

Range of beam patterns with narrow and wide cosec even-illumination lenses and traditional spot and flood

Overt filters (730nm) & semi-covert (830nm) as standard.  
Covert or colour-balanced filters as options

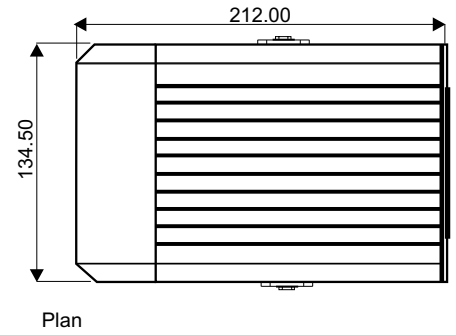
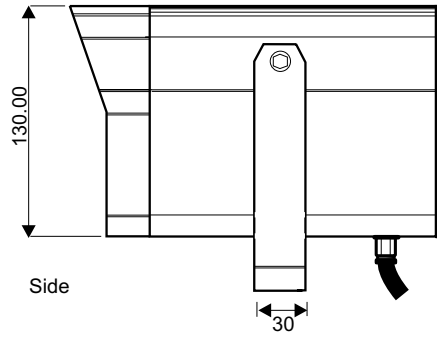
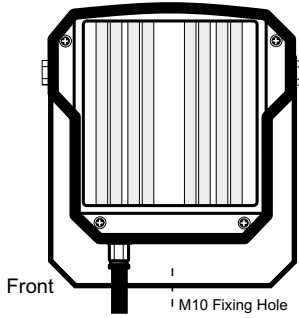
Small, robust construction with toughened lens

Low power consumption at less than 50% of ordinary 500W lamp achieved with high efficiency optics. Saves running and electrical installation costs

Long bulb life  
Average 3,000 hrs

Low voltage at camera head

Derwent provide specialised advice and support for your night-time illumination CCTV projects and can arrange on-site demonstrations

**Uniflood 500****Illuminator Specification****General**

<b>Radiated output</b>	Similar to ordinary 500W
<b>Optics</b>	Optimised focus, gold optics system
<b>Consumption</b>	220W
<b>Bulb-life</b>	Average 3,000 hours
<b>Construction</b>	Robust aluminium casting/extrusion
<b>Weight</b>	1.9kg
<b>Colour</b>	Black (standard) other RAL colours as options
<b>Cable Length</b>	Supplied with 4m lead

**Filter Specification**

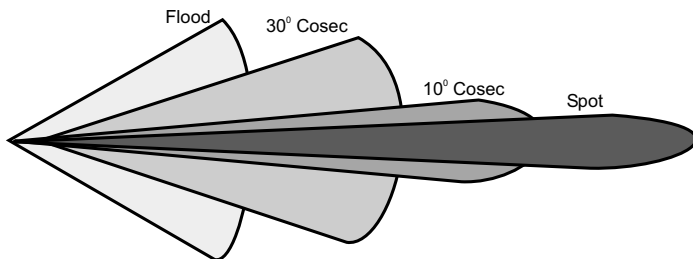
<b>Standard Filters</b>	730nm	<b>Specials to order</b>	790nm
	830nm		950nm
	Colour		

**Beam Patterns**

<b>Standard Lenses</b>	10° Cosec <sup>2</sup>	Spot
	30° Cosec <sup>2</sup>	Flood

**Note:** Range, video signal, signal/noise ratio and field of view will depend on sensitivity and spectral response of camera/lens combination

**Contact Derwent for advice on your proposed scheme**

**Ordering Information**

Specify as separate items:

1. Specify lamp(s) incl. lens & filter
2. Specify power supply incl. single or twin system
3. Specify bracketry requirement, single or twin brackets

Order:  
Uniflood500/10/730  
PSU5SS  
SB5270

**Power Supply Specification****Standard Range - (SS & ST)**

<b>Mains Supply</b>	230V, 50Hz Protected by 2A(T) slow blow fuse
<b>Output</b>	Nominal 28V adjustable by internal taps Single Lamp system PSU5SS ~ 220VA Twin Lamp system PSU5ST ~ 420VA
<b>Photocell</b>	Dusk/Dawn automatic switching
<b>Remote Control</b>	On/off volt-free contact switching from telemetry system
<b>Auxiliary Output</b>	12V DC to operate cameras., PIRs etc.
<b>Physical</b>	IP66 Enclosure Dimensions 250mm x 160mm x 95mm Weight : PSU5SS 3.4kg PSU5ST 4.2kg

**Xtra-Function Range - (XS & XT)**

**Extra Functions** See table below  
For more information contact Derwent

<b>Features</b>	<b>PSU5SS</b> Standard Single PSU	<b>PSU5ST</b> Standard Twin PSU	<b>PSU5XS</b> Xtra-Function Single PSU	<b>PSU5XT</b> Xtra-Function Twin PSU
Single Lamp System	●		●	
Twin Lamp System		●		●
Photocell	●	●	●	●
Remote Switch	●	●	●	●
12V DC Supply	●	●	●	●
24V AC Supply			●	●
Timer & Reset			●	●
Photocell activated contact			●	●
Adjustable photocell			●	●

Replacement bulb type: UNIPF

**Agent/Distributor****Europe:****Derwent Systems Limited**

Derwent House, Colbourne Crescent,  
Nelson Park, Cramlington, Northumberland, NE23 1WB

**England**

Tel: +44 (0) 1670 730187  
Fax: +44 (0) 1670 730188

**North America**

4060 McConnell Drive Burnaby  
Vancouver, BC V5A 3A8

**Canada**

Tel: +001 604 420 7711  
Fax: +001 604 420 3300

The performance figures given are typical.  
In view of company policy of continuous  
product development the specifications  
may be changed without notice.  
Version 2.1