

Long life

Uniflood 300

Night-time illumination for CCTV



Uniflood 300

The long bulb life version of Derwent's unique concept in night-time illumination for CCTV schemes

The quartz-halogen bulb provides an average life of 1 year of normal operation allowing longer intervals between service schedules and offers the end-user more reliable use of the system and reduced maintenance costs

With a radiated output equivalent to normal 300W lamps achieved through high efficiency optics. The Uniflood 300 is the up-to-date high performance successor to the traditional 300W lamp

Colour version incorporates a mired shift colour-corrected filter for balanced, visible, white light output



Uniflood 300 has been designed and tested to provide an average bulb life of approximately 1 year of normal night time operation



Uniflood 300 Series Long life

Average bulb life of
1 year
for normal operation

Range of beam patterns with narrow and wide cosec even-illumination lenses & traditional spot and flood

Overt filters (730nm) semi-covert (830nm) & colour filters as standard. Covert filters as option

Small, robust construction with toughened lens

Low power consumption at less than 60% of ordinary 300W lamp achieved with high efficiency optics

Results in lower running costs

Low voltage at camera head

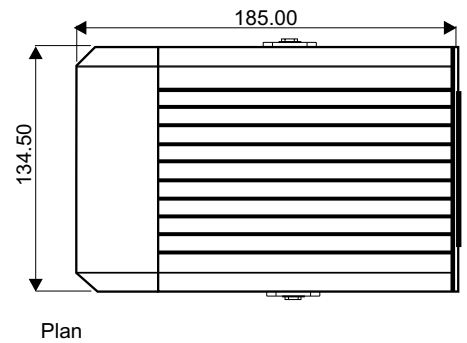
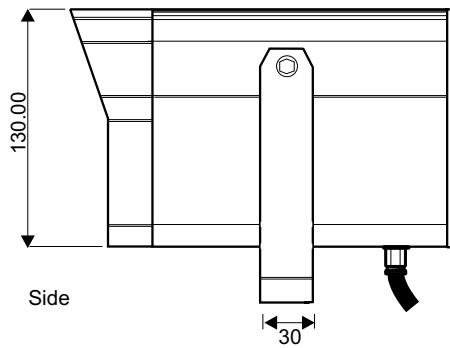
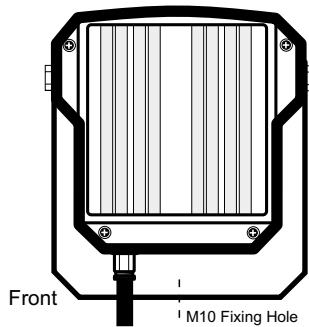
Derwent provide specialised advice and support for your night-time illumination CCTV projects and can arrange on-site demonstrations

Uniflood - Night-time illumination for CCTV

Note: For achievable distances please refer to the Matrix

Long life

Uniflood 300



Illuminator Specification

General

Radiated output	Similar to ordinary 300W
Optics	Optimised focus optical system
Consumption	170W
Bulb-life	Average bulb life of 1 year of normal night time operation
Construction	Robust aluminium casting/extrusion
Weight	1.8kg
Colour	Black (standard), other RAL colours as options
Cable Length	Supplied with 4m lead

Filter Specification

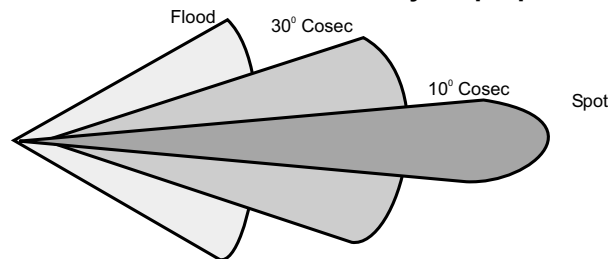
Standard Filters	730nm	Specials to order	790nm
	830nm		950nm
	Colour		

Beam Patterns

Standard Lenses	10° Cosec ²	Spot
	30° Cosec ²	Flood

Note: Range, video signal, signal/noise ratio and field of view will depend on sensitivity and spectral response of camera/lens combination

Contact Derwent for advice on your proposed scheme



Power Supply Specification



Standard Range - (SS & ST)

Mains Supply	230V, 50Hz Protected by 2A(T) slow blow fuse
Output	Nominal 26.5V adjustable by internal taps Single Lamp system PSU3SS ~ 180VA Twin Lamp system PSU3ST ~ 340VA
Photocell	Dusk/Dawn automatic switching
Remote Control	On/off volt-free contact switching from telemetry system
Physical	IP66 Enclosure Dimensions 230mm x 140mm x 95mm Weight : PSU3SS 3.2 kg PSU3ST 4.2 kg

Xtra-Function Range - (XS & XT)

Extra Functions See table below
For more information contact Derwent

Features	PSU3SS Standard Single PSU	PSU3ST Standard Twin PSU	PSU3XS Xtra-Function Single PSU	PSU3XT Xtra-Function Twin PSU
Single Lamp System	●		●	
Twin Lamp System		●		●
Photocell	●	●	●	●
Remote Switch	●	●	●	●
12V DC Supply			●	●
24V AC Supply			●	●
Timer & Reset			●	●
Photocell activated contact			●	●
Adjustable photocell			●	●

Replacement bulb type: UNILL

Ordering Information

Specify as separate items:

1. Specify lamp(s) incl. lens & filter
2. Specify power supply incl. single or twin system
3. Specify bracketry requirement, single or twin brackets

Order:

Uniflood300/10/730
PSU3SS
SB5270

Agent/Distributor

Europe:

Derwent Systems Limited

Derwent House, Colbourne Crescent,
Nelson Park, Cramlington, Northumberland, NE23 1WB

England

Tel: +44 (0) 1670 730187

Fax: +44 (0) 1670 730188

North America

4060 McConnell Drive Burnaby
Vancouver, BC V5A 3A8

Canada

Tel: +001 604 420 7711

Fax: +001 604 420 3300

The performance figures given are typical.
In view of company policy of continuous
product development the specifications
may be changed without notice.
Version 2.1