

Long life

Uniflood 300

Night-time illumination for CCTV



Uniflood 300

The long bulb life version of Derwent's unique concept in night-time illumination for CCTV schemes

The quartz-halogen bulb provides an average life of 1 year of normal operation allowing longer intervals between service schedules and offers the end-user more reliable use of the system and reduced maintenance costs

With a radiated output equivalent to normal 300W lamps achieved through high efficiency optics. The Uniflood 300 is the up-to-date high performance successor to the traditional 300W lamp

Colour version incorporates a mired shift colour-corrected filter for balanced, visible, white light output



Uniflood 300 has been designed and tested to provide an average bulb life of approximately 1 year of normal night time operation

Uniflood 300 Series Long life

Average bulb life of
1 year
for normal operation

Range of beam
patterns with narrow
and wide cosec
even-illumination
lenses & traditional
spot and flood

Overt filters (730nm)
semi-covert (830nm)
& colour filters as
standard. Covert
filters as option

Small, robust
construction with
toughened lens

Low power consumption
at less than 60% of
ordinary 300W lamp
achieved with
high efficiency optics

Results in lower
running costs

Low voltage at
camera head

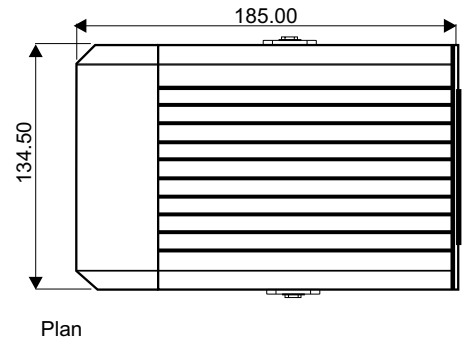
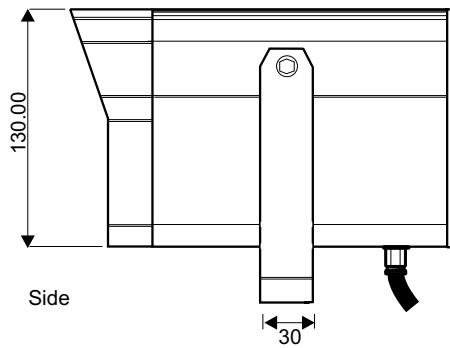
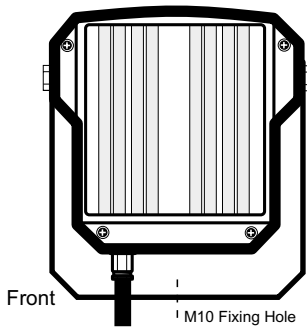
Derwent provide specialised
advice and support for
your night-time illumination
CCTV projects and can
arrange on-site
demonstrations

Uniflood - Night-time illumination for CCTV

Note: For achievable distances please refer to the Matrix

Long life

Uniflood 300



Illuminator Specification

General

- Radiated output** Similar to ordinary 300W
- Optics** Optimised focus optical system
- Consumption** 170W
- Bulb-life** Average bulb life of 1 year of normal night time operation
- Construction** Robust aluminium casting/extrusion
- Weight** 1.8kg
- Colour** Black (standard), other RAL colours as options
- Cable Length** Supplied with 4m lead

Filter Specification

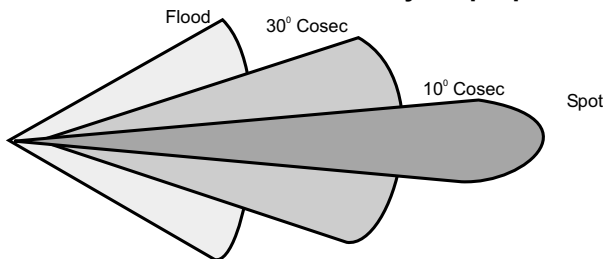
- Standard Filters** 730nm 830nm Colour
- Specials to order** 790nm 950nm

Beam Patterns

- Standard Lenses** 10° Cosec² Spot
- 30° Cosec² Flood

Note: Range, video signal, signal/noise ratio and field of view will depend on sensitivity and spectral response of camera/lens combination

Contact Derwent for advice on your proposed scheme



Power Supply Specification



Standard Range - (SS & ST)

- Mains Supply** 230V, 50Hz
Protected by 2A(T) slow blow fuse
- Output** Nominal 26.5V adjustable by internal taps
Single Lamp system PSU3SS ~ 180VA
Twin Lamp system PSU3ST ~ 340VA
- Photocell** Dusk/Dawn automatic switching
- Remote Control** On/off volt-free contact switching from telemetry system
- Physical** IP66 Enclosure
Dimensions 230mm x 140mm x 95mm
Weight : PSU3SS 3.2 kg
PSU3ST 4.2 kg

Xtra-Function Range - (XS & XT)

Extra Functions See table below
For more information contact Derwent

Features	PSU3SS Standard Single PSU	PSU3ST Standard Twin PSU	PSU3XS Xtra-Function Single PSU	PSU3XT Xtra-Function Twin PSU
Single Lamp System	●		●	
Twin Lamp System		●		●
Photocell	●	●	●	●
Remote Switch	●	●	●	●
12V DC Supply			●	●
24V AC Supply			●	●
Timer & Reset			●	●
Photocell activated contact			●	●
Adjustable photocell			●	●

Replacement bulb type: UNILL

Ordering Information

Specify as separate items:

1. Specify lamp(s) incl. lens & filter
2. Specify power supply incl. single or twin system
3. Specify bracketry requirement, single or twin brackets

Order:

Uniflood300/10/730
PSU3SS
SB5270

Agent/Distributor

Europe:

Derwent Systems Limited

Derwent House, Colbourne Crescent,
Nelson Park, Cramlington, Northumberland, NE23 1WB

England

Tel: +44 (0) 1670 730187

Fax: +44 (0) 1670 730188

North America

4060 McConnell Drive Burnaby
Vancouver, BC V5A 3A8

Canada

Tel: +001 604 420 7711

Fax: +001 604 420 3300

The performance figures given are typical.
In view of company policy of continuous
product development the specifications
may be changed without notice.
Version 2.1