

Delos International

DR-202/DR-203

Windmill series card reader



Application

This product is specially designed for unmanned occasions and high-security occasion ,as banks, prisons, museums, etc..

Specification

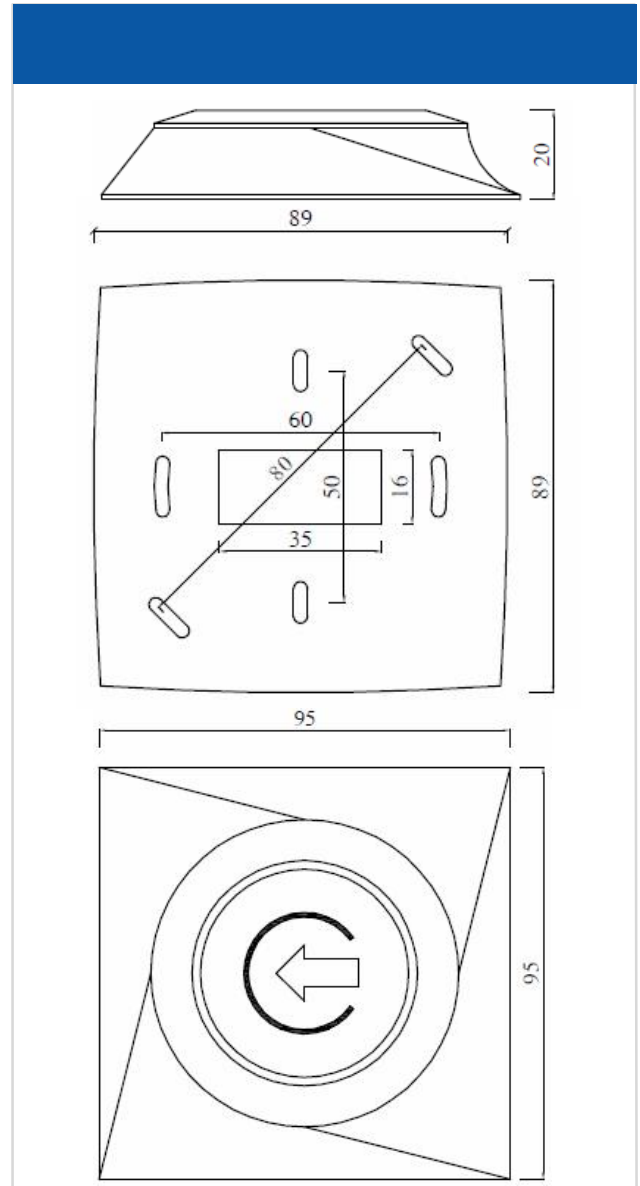
- n Rotary surface structure design, the material is ABS+PC.
- n Applicable to unmanned occasions and high-security occasion, as banks, prisons, museums, etc.
- n With standard Wiegand output signal and several keypad formats, compatible with other access control system.
- n Build-in beeper and LED, display the working saturation directly.
- n Could be installed on EU/Asian back box.
- n Sustaining card's types :EM card and Mifare card
- n Build-in watchdog
- n A variety of optional color as blue, white.

DR-202K/DR-203K

Electronic	
Power Supply	DC 9-15V
Rate Current	<200mA
Read Range	DR-202 read EM card 8~10cm DR-203 read Mifare card 5~8cm
Output Format	WG26/WG34
Input	LED control*2 Beeper control*1 Hold on*1

Model	
Dimension	9.5cm*9.5cm*2.0cm
Weight	180G
Installation	EU/Asian standard back box
Material	ABS+PC

Environment	
Temperature	-25°C~70°C
Humidity	<90%



Order

- 1、Warranty: 1 year
- 2、Available type: see following pictures



Blue



White