



VR DOMES



- Ideal for applications where high resilience to damage is required or where harsh environments exist
- Robust aluminium enclosure and impact resistant polycarbonate hemisphere.
- Available as Mono, Colour / Mono, Day / Night and Hyper-Dome models
- Up to 570TVL
- 3-axis GyroView set-up with 180° tilt and 360° pan adjustment allows dome to be mounted horizontally (ceiling) or vertically (wall)
- All-in-one package including vari-focal lens to allow field-of-view adjustment
- Version available with heater for mounting outdoors
- HyperDome models (wide dynamic range) can be used for high contrast scenes, where internal cameras view entrances or glass frontages, typically encountered in retail and banking, or a commercial reception area
- Options for wall / ceiling or recessed mounting
- Impact tested to BS EN 60068-2-75:1997
- Surface mount versions sealed against dust and water ingress to IP66



CAMERA FEATURES	CAMERA OPTIONS	CEILING MOUNT	SURFACE MOUNT	OUTDOOR SURFACE MOUNT
	Heater	No	No	Yes
	Fan	No	No	No
	Weight	1kg	1.5kg	1.7kg
	Material Bubble	Lexan Polycarbonate		
	Material Base	Corrosion resistant die cast aluminium to LM25 specification. Suitable for use in coastal environments		
	Operation Temperature	-10°C to +50°C	-10°C to +50°C	-40°C to +50°C
	Humidity	20% - 80% relative humidity, non condensing		
	IP66 rated	No	Yes	Yes
	Dimensions (H x W)	122mm x 160mm	104mm x 148	104mm x 148
Optional accessories	Optional Power Adaptor 100-240 Vac, 12Vdc, 1-25A output (DM/ICED-SERV)			
	UK Mains Lead for PSU (DM/WM-6A-UK/IEC)			
	European Mains Lead for PSU (DM/WM-6A-EC/IEC)			
	Service lead (DM/ICED-SERV)			
	Camera setup kit (DM/ICE-CAMKIT)			

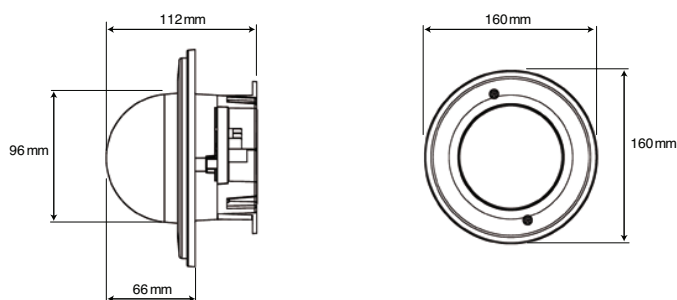


SPECIFICATIONS

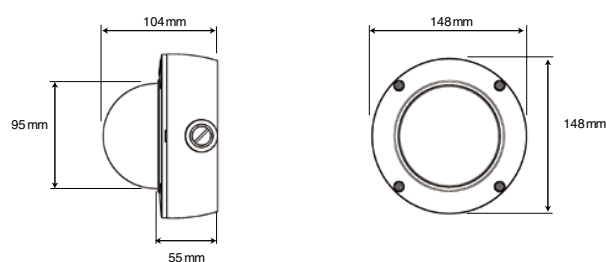
	High Res Mono	High Res Colour/ Mono	Ultra Res Colour / Mono	Ultra Res Day / Night	HyperDome (Wide Dynamic Range)
Camera Features					
Sensor	Super HAD CCD				Digital Image Sensor
Video Processing	Analogue	DSP			DPS™ technology
Effective Pixels	752 (H) x 582 (V)				720 (H) x 540 (V)
Sensitivity	0.07 lux; for usable picture (40% video) with AGC on; lens at F1.2, no bubble	0.7 lux; for usable picture (40% video) with AGC on; lens at F1.2, no bubble		0.7/0.1 lux; for usable picture (40% video) with AGC on; lens at F1.6, no bubble	1 lux; for usable picture (40% video) with AGC on; lens at F1.2, no bubble
Resolution	570TVL	480TVL	540TVL		480TVL
Video Output	1V p-p composite video via 75Ω BNC connector, plus extra video output on front for optional service connector (Product Code ICED-SERV)				
Signal to Noise Ratio	50dB				
Dynamic Range	50dB				95dB typical, 120dB maximum
Auto White Balance	50dB	2,500K ~ 9,500K			2,500K ~ 9,500K; Pro: 2,800K~6,500K / Wide: 2,500K~9,500K
AGC	On/Off, max <28dB				Digital
Electronic Iris	1/50s ~ 1/100,000s; On/Off				-
Backlight Compensation	On/Off, centre weighted				Automatic configuring
Gamma Correction	0.45				
Synchronisation System	Internal or Line lock (±120° adjustment)	Internal or Line lock (±180° adjustment)			Internal or Line lock (0~360° adjustment)
Lens Options					
Lens Mount and Focus	Built-in 3.8~9.5mm Varifocal with DC iris, F1.2			Built-in 3~9mm Varifocal with DC iris, F1.6	Built-in 3.8~9.5mm Varifocal with DC iris, F1.2
Power Supply					
Low Voltage Source	AC: 24V ±15% @ 50Hz; DC: 12V ±10%				
Consumption	Less than 2W normal use	Less than 2W normal use			Less than 3.6W normal use
Input Connector	2-way screw terminal connector				

CAMERA OPTIONS	CEILING MOUNT	SURFACE MOUNT	OUTDOOR SURFACE MOUNT
High Res Mono	ICEVC-BH39	ICEVS-BH39	ICEVS-OBH39
High Res Colour	ICEVC-CMH39	ICEVC-CMH39	ICEVC-OCM
Ultra Res Colour	ICEVC-CMU39	ICEVC-CMU39	ICEVC-OCMU39
Ultra Res Day/Night	ICEVC-DNU39	ICEVC-DNU39	ICEVC-ODNU39
HyperDome	ICEVC-HYPER	ICEVC-HYPER	ICEVC-OHYPER

CEILING MOUNT



SURFACE MOUNT



Dedicated Micros UK	1200 Daresbury Park, Daresbury, Warrington, WA4 4HS - Tel: +44 (0) 845 600 9500 Fax: +44 (0) 845 600 9504
Dedicated Micros USA	14434 Albemarle Point Place, Suite 100, Chantilly, Virginia 20151 - USA Freephone: 800 864 7539 Tel: +1 703 904-7738 Fax: +1 703 904-7743
Dedicated Micros Germany	Neckarstraße 15, 41836 Hückelhoven, Germany - Tel: +49 243 352 580 Fax: +49 24 33 52 58 10
Dedicated Micros France	9-13 rue du Moulinet, 75013 Paris, France - Tel: +33 1 45 81 99 99 Fax: +33 1 45 81 99 89
Dedicated Micros Benelux	Joseph Chantraineplantsoen 1, 3070 Kortenberg, Belgium - Tel: +32 2751 3480 Fax: +32 2751 3481
Dedicated Micros Russia	Russia, CIS and Baltic States Tel: +7 495 9259906 Fax: +7-495-6586769
Dedicated Micros Slovenia	Delavska cesta 24, 4208 Sencur, Slovenia - Tel: +386 4 279 18 90 Fax: +386 4 279 18 91
Dedicated Micros Australia	2/9 Packard Avenue, Castle Hill, NSW 2154, Australia - Tel: +612 9634 4211 Fax: +612 9634 4811 Master Licence 404588736
Dedicated Micros New Zealand	4/36 William Pickering Drive, Albany, Auckland 0663, New Zealand - Freephone: 0800 364 276 Tel: +64 448 2366 Fax: +64 (09) 448 2369
Dedicated Micros Malta	BLB017, Bulebel Industrial Estate, Zejtun, ZTN3000, Malta - Tel: +356 21483 673/4 Fax: +356 21449 170
Dedicated Micros Asia	16 New Industrial Road, #03-03 Hudson TechnoCentre, Singapore 536204 - Tel: +65 62858982 Fax: +65 62858646
Dedicated Micros Middle East	Building 11, Suite 405-407, PO Box 500291, Dubai Internet City, Dubai, United Arab Emirates Tel: +971 (4) 390 1015 Fax: +971 (4) 390 8655
Dedicated Micros India	A/8/7 & A/8/8, Groma House, Plot No 14C, Sector 19, Vashi Navi Mumbai Pin Code : 400703 Tel: +91 98214 58333

Super HAD CCD™ is a trademark of the Sony Corporation. Price and specification are subject to change without notice.

