



VR DOMES



- Ideal for applications where high resilience to damage is required or where harsh environments exist
- Robust aluminium enclosure and impact resistant polycarbonate hemisphere.
- Available as Mono, Colour / Mono, Day / Night and Hyper-Dome models
- Up to 570TVL
- 3-axis GyroView set-up with 180° tilt and 360° pan adjustment allows dome to be mounted horizontally (ceiling) or vertically (wall)
- All-in-one package including vari-focal lens to allow field-of-view adjustment
- Version available with heater for mounting outdoors
- HyperDome models (wide dynamic range) can be used for high contrast scenes, where internal cameras view entrances or glass frontages, typically encountered in retail and banking, or a commercial reception area
- Options for wall / ceiling or recessed mounting
- Impact tested to BS EN 60068-2-75:1997
- Surface mount versions sealed against dust and water ingress to IP66



| CAMERA FEATURES | CAMERA OPTIONS | CEILING MOUNT | SURFACE MOUNT | OUTDOOR SURFACE MOUNT |
|----------------------|--|---|----------------|-----------------------|
| | Heater | No | No | Yes |
| | Fan | No | No | No |
| | Weight | 1kg | 1.5kg | 1.7kg |
| | Material Bubble | Lexan Polycarbonate | | |
| | Material Base | Corrosion resistant die cast aluminium to LM25 specification. Suitable for use in coastal environments | | |
| | Operation Temperature | -10°C to +50°C | -10°C to +50°C | -40°C to +50°C |
| | Humidity | 20% - 80% relative humidity, non condensing | | |
| | IP66 rated | No | Yes | Yes |
| | Dimensions (H x W) | 122mm x 160mm | 104mm x 148 | 104mm x 148 |
| Optional accessories | Optional Power Adaptor 100-240 Vac, 12Vdc, 1-25A output (DM/ICED-SERV) | | | |
| | UK Mains Lead for PSU (DM/WM-6A-UK/IEC) | | | |
| | European Mains Lead for PSU (DM/WM-6A-EC/IEC) | | | |
| | Service lead (DM/ICED-SERV) | | | |
| | Camera setup kit (DM/ICE-CAMKIT) | | | |

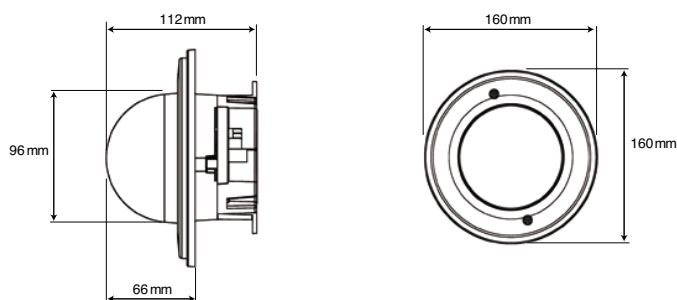


SPECIFICATIONS

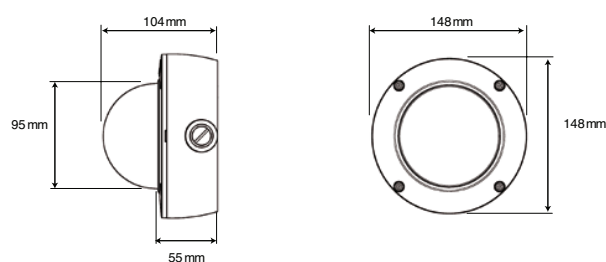
| | High Res Mono | High Res Colour/ Mono | Ultra Res Colour / Mono | Ultra Res Day / Night | HyperDome (Wide Dynamic Range) |
|-------------------------------|--|--|-------------------------|--|--|
| Camera Features | | | | | |
| Sensor | Super HAD CCD | | | | Digital Image Sensor |
| Video Processing | Analogue | DSP | | | DPS™ technology |
| Effective Pixels | 752 (H) x 582 (V) | | | | 720 (H) x 540 (V) |
| Sensitivity | 0.07 lux; for usable picture (40% video) with AGC on; lens at F1.2, no bubble | 0.7 lux; for usable picture (40% video) with AGC on; lens at F1.2, no bubble | | 0.7/0.1 lux; for usable picture (40% video) with AGC on; lens at F1.6, no bubble | 1 lux; for usable picture (40% video) with AGC on; lens at F1.2, no bubble |
| Resolution | 570TVL | 480TVL | 540TVL | | 480TVL |
| Video Output | 1V p-p composite video via 75Ω BNC connector, plus extra video output on front for optional service connector (Product Code ICED-SERV) | | | | |
| Signal to Noise Ratio | 50dB | | | | |
| Dynamic Range | 50dB | | | | 95dB typical, 120dB maximum |
| Auto White Balance | 50dB | 2,500K ~ 9,500K | | | 2,500K ~ 9,500K; Pro: 2,800K~6,500K / Wide: 2,500K~9,500K |
| AGC | On/Off, max <28dB | | | | Digital |
| Electronic Iris | 1/50s ~ 1/100,000s; On/Off | | | | - |
| Backlight Compensation | On/Off, centre weighted | | | | Automatic configuring |
| Gamma Correction | 0.45 | | | | |
| Synchronisation System | Internal or Line lock (±120° adjustment) | Internal or Line lock (±180° adjustment) | | | Internal or Line lock (0~360° adjustment) |
| Lens Options | | | | | |
| Lens Mount and Focus | Built-in 3.8~9.5mm Varifocal with DC iris, F1.2 | | | Built-in 3~9mm Varifocal with DC iris, F1.6 | Built-in 3.8~9.5mm Varifocal with DC iris, F1.2 |
| Power Supply | | | | | |
| Low Voltage Source | AC: 24V ±15% @ 50Hz; DC: 12V ±10% | | | | |
| Consumption | Less than 2W normal use | Less than 2W normal use | | | Less than 3.6W normal use |
| Input Connector | 2-way screw terminal connector | | | | |

| CAMERA OPTIONS | CEILING MOUNT | SURFACE MOUNT | OUTDOOR SURFACE MOUNT |
|---------------------|---------------|---------------|-----------------------|
| High Res Mono | ICEVC-BH39 | ICEVS-BH39 | ICEVS-OBH39 |
| High Res Colour | ICEVC-CMH39 | ICEVC-CMH39 | ICEVC-OCM |
| Ultra Res Colour | ICEVC-CMU39 | ICEVC-CMU39 | ICEVC-OCMU39 |
| Ultra Res Day/Night | ICEVC-DNU39 | ICEVC-DNU39 | ICEVC-ODNU39 |
| HyperDome | ICEVC-HYPER | ICEVC-HYPER | ICEVC-OHYPER |

CEILING MOUNT



SURFACE MOUNT



| | |
|-------------------------------------|--|
| Dedicated Micros UK | 1200 Daresbury Park, Daresbury, Warrington, WA4 4HS - Tel: +44 (0) 845 600 9500 Fax: +44 (0) 845 600 9504 |
| Dedicated Micros USA | 14434 Albemarle Point Place, Suite 100, Chantilly, Virginia 20151 - USA Freephone: 800 864 7539 Tel: +1 703 904-7738 Fax: +1 703 904-7743 |
| Dedicated Micros Germany | Neckarstraße 15, 41836 Hückelhoven, Germany - Tel: +49 243 352 580 Fax: +49 24 33 52 58 10 |
| Dedicated Micros France | 9-13 rue du Moulinet, 75013 Paris, France - Tel: +33 1 45 81 99 99 Fax: +33 1 45 81 99 89 |
| Dedicated Micros Benelux | Joseph Chantraineplantsoen 1, 3070 Kortenberg, Belgium - Tel: +32 2751 3480 Fax: +32 2751 3481 |
| Dedicated Micros Russia | Russia, CIS and Baltic States Tel: +7 495 9259906 Fax: +7-495-6586769 |
| Dedicated Micros Slovenia | Delavska cesta 24, 4208 Sencur, Slovenia - Tel: +386 4 279 18 90 Fax: +386 4 279 18 91 |
| Dedicated Micros Australia | 2/9 Packard Avenue, Castle Hill, NSW 2154, Australia - Tel: +612 9634 4211 Fax: +612 9634 4811 Master Licence 404588736 |
| Dedicated Micros New Zealand | 4/36 William Pickering Drive, Albany, Auckland 0663, New Zealand - Freephone: 0800 364 276 Tel: +64 448 2366 Fax: +64 (09) 448 2369 |
| Dedicated Micros Malta | BLB017, Bulebel Industrial Estate, Zejtun, ZTN3000, Malta - Tel: +356 21483 673/4 Fax: +356 21449 170 |
| Dedicated Micros Asia | 16 New Industrial Road, #03-03 Hudson TechnoCentre, Singapore 536204 - Tel: +65 62858982 Fax: +65 62858646 |
| Dedicated Micros Middle East | Building 11, Suite 405-407, PO Box 500291, Dubai Internet City, Dubai, United Arab Emirates Tel: +971 (4) 390 1015 Fax: +971 (4) 390 8655 |
| Dedicated Micros India | A/8/7 & A/8/8, Groma House, Plot No 14C, Sector 19, Vashi Navi Mumbai Pin Code : 400703 Tel: +91 98214 58333 |

Super HAD CCD™ is a trademark of the Sony Corporation. Price and specification are subject to change without notice.

