



DM/ICED-DNU39

- **DSP Day/Night Dome Camera**
- **1/3" CCD**
- **Ultra Resolution 540 lines**
- **Removable IR cut filter**
- **Integrated 3.6~9mm Varifocal Lens**
- **3-axis GyroView Set Up**
- **Ceiling / surface mount**
- **Extra Video-Out for local focussing**

CAMERA FEATURES

Sensor	1/3" Sony Super HAD CCD™
Video Processing	DSP
Effective Pixels	752 (H) x 582 (V)
Sensitivity	0.7 / 0.1 lux; for usable picture (40% video) with AGC on; lens at F1.6, no bubble
Resolution	540 TVL
Video Output	1V p-p composite video via 75Ω BNC connector plus extra video output on front for optional service connector (DM/ICED-SERV).
Signal to Noise Ratio	50dB
AGC	On / Off, max <28dB
Auto White Balance	2,500K ~ 9,500K
Electronic Iris	1/50s~1/100,000s; On / Off
Backlight Compensation	On/Off, centre weighted
Gamma Correction	0.45
Synchronisation System	Internal or Line lock (±180° adjustment)



DM/ICED-DNU39 SPECIFICATIONS

Lens Options

Lens Mount and Focus	Integrated 3-9 Varifocal with DC iris, F1.6
Lens Material	Aspherical glass with IR corrective coating

Power Supply

Low Voltage Source	AC: 24V ±15% @50Hz DC: 12V ±10%
Consumption	Less than 3.4W normal use
Input Connector	2-way screw terminal connector

Mechanical

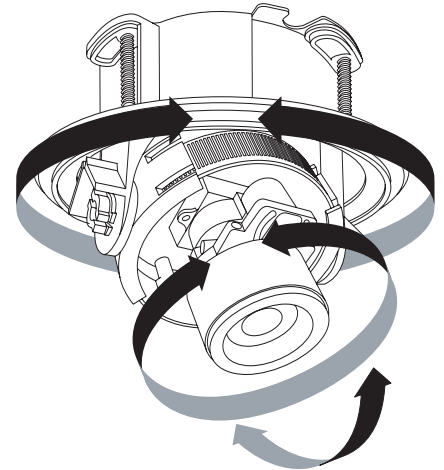
Dimensions (mm)	120 (L) x 120 (H) x 110 (W)
Weight	0.3kg, shipping weight 0.4kg
Material	Grey ABS. Clear polycarbonate bubble. Other options available
Installation Mount	Ceiling: via integral fixing clamps (removable shroud). Surface: via fixing screws provided.

Environmental

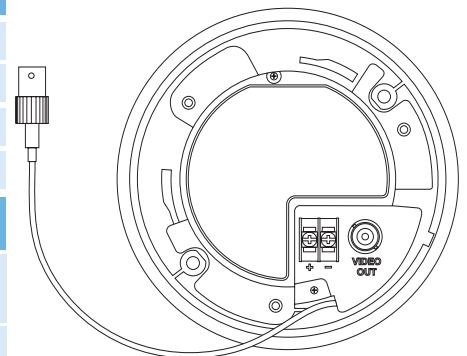
Operating Temperature	-10 to +50°C (14 to 122°F)
Operating Humidity	20% to 80% relative humidity, non condensing
Storage Temperature	-20 to +60°C (-4 to 140°F)
Storage Humidity	20% to 90% relative humidity, non condensing

Accessories

Optional Power Supply	100-240 V ac input, 12 V dc, 1.25A output DM/VS-PSU15W-EXT
UK Mains Lead for PSU	DM/WM-6A-UK/IEC
European Mains Lead	DM/WM-6A-EC/IEC
Service Lead with BNC Connector	DM/ICED-SERV
Camera Setup kit	Service lead & setup tool DM/ICED-CAMKIT



3-axis GyroView
(shown here with ceiling mount)



Rear view of dome base

Dedicated Micros UK	1200 Daresbury Park, Daresbury, Warrington, WA4 4HS - Tel: +44 (0) 845 600 9500 Fax: +44 (0) 845 600 9504
Dedicated Micros USA	14434 Albemarle Point Place, Suite 100, Chantilly, Virginia 20151 - USA Freephone: 800 864 7539 Tel: +1 703 904-7738 Fax: +1 703 904-7743 and 23456 Hawthorne Blvd, Suite 100, Torrance, CA 90505 Tel +1 310 791-8666 Fax: +1 310 791-9877
Dedicated Micros Germany	Neckarstraße 15, 41836 Hückelhoven, Germany - Tel: +49 243 352 580 Fax: +49 24 33 52 58 10
Dedicated Micros France	9-13 rue du Moulinet, 75013 Paris, France - Tel: +33 1 45 81 99 99 Fax: +33 1 45 81 99 89
Dedicated Micros Benelux	Joseph Chantraineplantsoen 1, 3070 Kortenberg, Belgium - Tel: +32 2751 3480 Fax: +32 2751 3481
Dedicated Micros Russia	Russia, CIS and Baltic States Tel: +7 495 9259906 Fax: +7-495-6586769
Dedicated Micros Slovenia	Delavska cesta 24, 4208 Sencur, Slovenia - Tel: +386 4 279 18 90 Fax: +386 4 279 18 91
Dedicated Micros Australia	2/9 Packard Avenue, Castle Hill, NSW 2154, Australia - Tel: +612 9634 4211 Fax: +612 9634 4811 Master Licence 404588736
Dedicated Micros New Zealand	4/36 William Pickering Drive, Albany, Auckland 0663, New Zealand - Freephone: 0800 364 276 Tel: +64 448 2366 Fax: +64 (09) 448 2369
Dedicated Micros Malta	BLB017, Bulebel Industrial Estate, Zejtun, ZTN3000, Malta - Tel: +356 21483 673/4 Fax: +356 21449 170
Dedicated Micros Asia	16 New Industrial Road, #03-03 Hudson TechnoCentre, Singapore 536204 - Tel: +65 62858982 Fax: +65 62858646
Dedicated Micros Middle East	Building 11, Suite 405-407, PO Box 500291, Dubai Internet City, Dubai, United Arab Emirates Tel: +971 (4) 390 1015 Fax: + 971 (4) 390 8655
Dedicated Micros India	A/8/7 & A/8/8, Groma House, Plot No 14C, Sector 19, Vashi Navi Mumbai Pin Code : 400703 Tel: +91 98214 58333

Super HAD CCD™ is a trademark of the Sony Corporation. Price and specification are subject to change without notice.

