



DM/ICED-HYPER 'HYPERDOME'

- Award Winning Hyper-D Technology
- Unbeatable Dynamic Range
- Zero Smear
- High Resolution 480 lines
- Integrated 3.8-9.5mm Varifocal Lens
- 3-axis Gyroview Set Up
- Ceiling/surface mount
- Extra Video-Out for Local Focussing

CAMERA FEATURES

| | |
|-------------------------------|--|
| Imager | Digital Image Sensor |
| Video Processing | DPS™ technology |
| Effective Pixels | 720 (H) x 540 (V) |
| Sensitivity | 1.0 lux; for usable picture (40% video) in DNR mode; lens at F1.2, no bubble |
| Resolution | 480 TVL (H) x 400 TVL(V) |
| Video Output | 1V p-p composite video via 75Ω, BNC connector plus extra video output on front for optional service connector (ICED-SERV). |
| Signal to Noise Ratio | Better than 48dB |
| Auto White Balance | 2,500K ~ 9,500K; Pro: 2,800K~6,500K / Wide: 2,500K~9,500K |
| AGC | Digital |
| Backlight Compensation | Automatic configuring |
| Gamma Correction | 0.45 |
| Synchronisation System | Internal or Line lock ($\pm 360^\circ$ adjustment) |



DM/ICED HYPER SPECIFICATIONS

Lens Options

| | |
|-----------------------------|---|
| Lens Mount and Focus | Integrated 3.8-9.5mm Varifocal with DC iris, F1.2 |
|-----------------------------|---|

Power Supply

| | |
|---------------------------|--|
| Low Voltage Source | AC: 24V \pm 15% @50Hz DC: 12V \pm 10% +15% |
| Consumption | Less than 3.4W normal use |
| Input Connector | 2-way screw terminal connector |

Mechanical

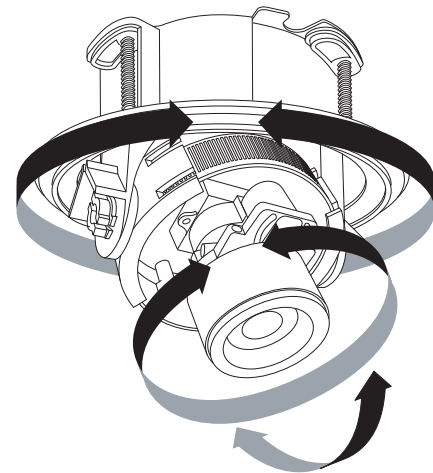
| | |
|---------------------------|---|
| Dimensions (mm) | 120 (L) x 120 (H) x 110 (W) |
| Weight | 0.3kg, shipping weight 0.4kg |
| Material | Grey ABS. Clear polycarbonate bubble. Other options available |
| Installation Mount | Ceiling: via integral fixing clamps (removable shroud). Surface: via fixing screws provided. |

Environmental

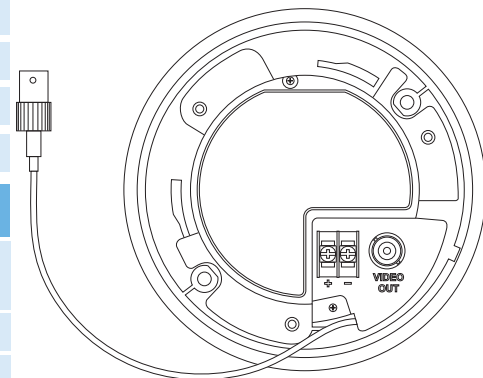
| | |
|------------------------------|--|
| Operating Temperature | -10 to +50°C (14 to 104°F) |
| Operating Humidity | 20% to 80% relative humidity, non condensing |
| Storage Temperature | -20 to +60°C (-4 to 140°F) |
| Storage Humidity | 20% to 90% relative humidity, non condensing |

Accessories

| | |
|--|---|
| Optional Power Adaptor | 100-240 V ac input, 12 V dc, 1.25A output |
| UK Mains Lead for PSU | DM/WM-6A-UK/IEC |
| European Mains Lead | DM/WM-6A-EC/IEC |
| Service Lead with BNC Connector | DM/ICED-SERV |
| Camera Setup kit | Service lead & setup tool DM/ICE-CAMKIT |



3-axis GyroView
(shown here with ceiling mount)



Rear view of dome base