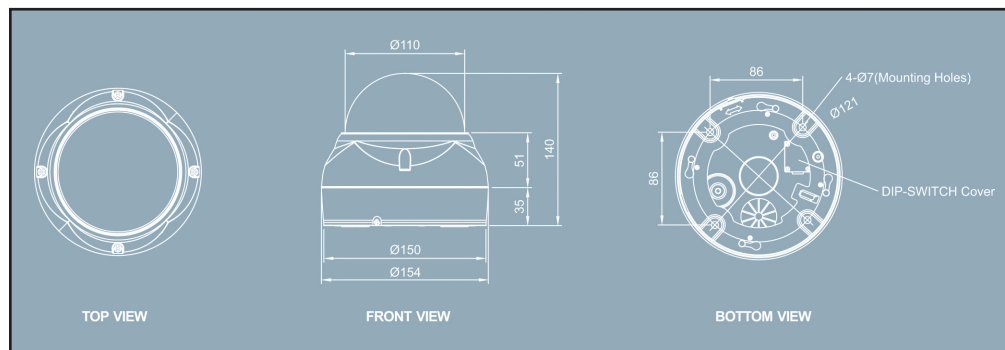




# SPECIFICATION

MODEL		22X PTZ3 (Surface) Indoor	22X PTZ3 (Sunshield) Outdoor
<b>MODULE</b>	Image sensor	1/4" SONY Exview HAD CCD	
	Resolution	580 TVL	
	WDR	Level (x512, 54dB)	
	Min. illumination	0.5 lux(Color), 0.05 lux(B/W), 0.001 lux(Low-shutter)	
	Zoom ratio	22X optical, 16X digital zoom	
	Focus length	3.9mm ~ 85.8mm	
	Angle of view (H)	approx. 49.5°(wide) ~ 2.4°(tele)	
	F Number	F1.6(wide) ~ F3.7(tele)	
<b>DOME</b>	Panning angle	360° continuous rotation	
	Tilt angle	0° ~ 180° (digital flip)	
	Max speed	380°/sec	
	Auto scan	1 auto pan & 4 auto scans capability	
	Preset	120 presets	
	Tour	4 tours (consist of 42 functions / 1 tour)	
	Pattern	4 patterns (recording up to 200 sec.)	
	Alarm	1 input, 1 output (TTL)	
	Area title	it can be divided 8 areas with 12 characters of title	
	Privacy zone	4 privacy zone masking (2 methods selectable : Block / V.off)	
	Home Function	Off / Tour / Pattern / Auto Scan / Preset	
	Calibration	Auto	
	Control	RS-485	
	ID	255 selectable (Dip Switch)	
	Protocol	FatraxII, FatraxIle, Pelco-D, Pelco-P, ...	
	Baud rate	2400 / 4800 / 9600 / 19200 bps	
<b>POWER</b>	Power source for Dome	DC12V / AC24V ±10%	
	Power Source for Heater & Fan	-	AC24V ±10%
	Power consumption for Dome	12.0 Watts	
	Power Consumption for Heater & Fan	-	45.0 Watts
<b>Environment</b>	Operating Temperature	-10°C ~ +50°C	-30°C ~ +50°C
	External Dimension	Ø154 x 140 (H) mm (Bubble diameter Ø110)	Ø186 x 205 (H) mm (Bubble diameter Ø110)
	Weight	Approx. 1.5 kg	Approx. 2.2 kg



## PRODUCT CODES\*

VANDAL DOME : MINI PTZ 22X COLOR | 580 TVL

DM/CAM/VSD22XIA

VANDAL DOME : MINI PTZ 22X COLOR | 580 TVL

DM/CAM/VSD22XOA

\* SEE OUR WEBSITE FOR FULL ACCESSORIES LISTING

PLEASE CHECK THE WEBSITE OR YOUR LOCAL REPRESENTATIVE FOR PRODUCT ORDERING INFORMATION AND OTHER DEVELOPMENTS

[www.dedicatedmicrosinc.com](http://www.dedicatedmicrosinc.com)

Dedicated Micros Americas 14434 Albemarle Point Place, Suite 100, Chantilly, Virginia 20151 USA Toll Free : 800 864-7539 Tel: +1 703 904-7738 Fax: +1 703 904-7743

The manufacturer reserves the right to change the specification without notice. All trademarks are courtesy of registered owners.

The DM logo is a trademark of Dedicated Microcomputers Group Ltd. NetVu Connected is a trademark of the AD group.

© Copyright Dedicated Micros, Inc.

