

# DATASHEET



## 2010/2015 CAMERA HOUSINGS

The DM2010 and DM2015 are designed to provide the installer with a quick, secure and reliable camera option for fixed and zoom cameras.

Ideal for any application, the robust, IP66 rated die-cast Aluminum housing provides the camera with the necessary protection from a demanding environment.

The internal camera cavity is simply accessed by loosening 3 screws (2010) 4 screws (2015) with cable conduits led out through either full or semi cable managed bracketry.

Both housings are designed to operate for either 12VDC to 24VAC or 110VAC to 230VAC.

The 2015 has been designed to provide all the features of the 2010, but the increased capacity makes it possible to incorporate a wider selection of zoom cameras. The optional wiper module adds increased functionality to meet the demands of a high specification installation.

So not only do they look good, the 2010 and 2015 are designed to reduce installation times at a competitive price.

## FEATURES

- Robust IP66 rated enclosure
- Fully cable managed (2015 only)
- Demisting Heater fitted as standard
- Optional wiper module (2015 only)
- Robust die-cast Aluminium housing
- Multiple voltage option
- 2 year warranty
- Compatible with most camera options
- Alocrome, Powder coated and stoved finish

ACCESSORIES	
2015	2010
DM/94033 = 2015 WIPER UNIT 230V	DM/94027 = 2010 HEATER 110-230V
DM/94034 = 2015 WIPER UNIT 110V	DM/94028 = 2010 HEATER 12-24V
DM/94035 = 2015 WIPER UNIT 24V	DM/94029 = 2010 ANTI-TAMPER SWITCH
DM/94039 = 2015 ANTI-TAMPER SCREWS	DM/94030 = 2010 FAN BRACKET ASSEMBLY
DM/94040 = 2015 ANTI-TAMPER SWITCH	DM/94039 = 2010 ANTI-TAMPER SCREWS
DM/94054 = 2015 HEATER ASSEMBLY 12-24V	
DM/94055 = 2015 HEATER ASSEMBLY 110-230V	
DM/94056 = 2015 FAN ASSEMBLY	

# SPECIFICATION

## MATERIAL

Pressure die cast Aluminium alloy

## FINISH

Alocrom, Powder coated and stoved

## HEATER VOLTAGES

12V to 24V or 110V to 230

## WEIGHT

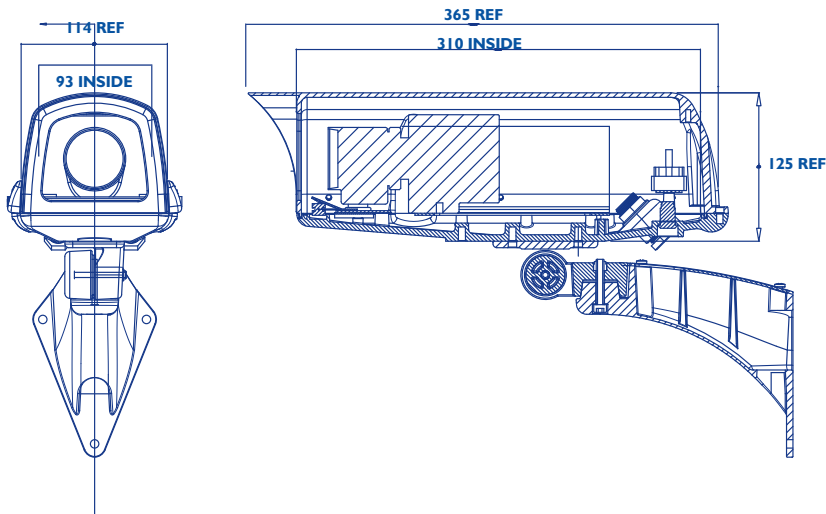
2010 - 2.2kg      2015 - 5.4kg (with wiper)

## POWER CONSUMPTION

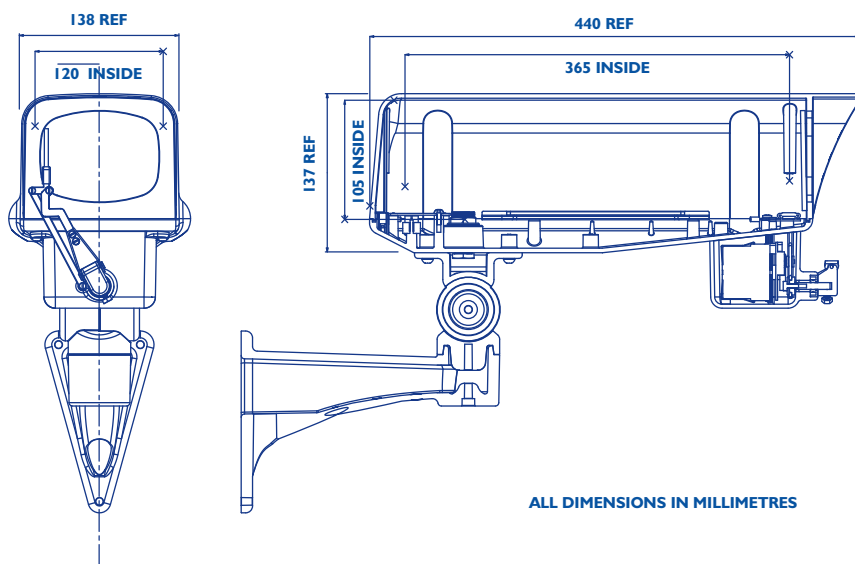
2010 - 10 Watts      2015 - 16 Watts (with wiper)

**PLEASE CHECK THE WEBSITE FOR DETAILS OF COMPATIBLE PRODUCTS AND OTHER LATEST DEVELOPMENTS**

### 2010 CAMERA HOUSING



### 2015 CAMERA HOUSING



ALL DIMENSIONS IN MILLIMETRES

To find your nearest Dedicated Micros office, please visit

[www.dedicatedmicros.com](http://www.dedicatedmicros.com)

Head Office: Dedicated Micros UK, 1200 Daresbury Park, Daresbury, Warrington. WA4 4HS Tel: +44 (0) 845 600 9500 Fax: +44 (0) 845 600 9504 Email: customerservices@dmicros.com

The manufacturer reserves the right to change the specification without notice. All trademarks are courtesy of registered owners. DV-IP is trademark of AD Holdings plc. The DM logo is a trademark of Dedicated Microcomputers Group Ltd. NetVu Connected is a trademark of the AD group.

© Copyright AD Group September 2008

