



**Dennard
2020**

DENNARD 2020 INFRA-RED ILLUMINATOR

The type 2020 range of infra-red illuminators have been designed to offer a cost effective solution to night surveillance, with either 300W or 500W output in a stylish pressure die cast enclosure.

These units provide a source of illumination for cameras with spectral response that extends into the infra-red region. To

simplify operation and installation each illuminator is supplied with a built-in 25 lux photo cell unit.

These light-weight weatherproof assemblies have protective-coated toughened glass filters and a choice of sealed beam bulbs.

Replacement bulbs can be fitted in seconds. Full installation and maintenance instructions are provided with each unit.

FEATURES

- ▶ **Aluminium alloy casting**
- ▶ **Optional 715nm or 830nm glass filter**
- ▶ **Bulb life: 2020/300-2000hrs, 2020/500-4000hrs**
- ▶ **Mountings for infra-red illuminators are available on a range of Dennard products**
- ▶ **Available in a range of beam angles**
- ▶ **Built-in 25 lux light detector on adjustable mounting for automatic operation**
- ▶ **Weatherproof to BS.EN 60529 Level IP 66**

OPTIONS

DM/2020 300N715 = 300WATT SPOT BEAM 715nm
DM/2020 300M715 = 300 WATT MEDIUM BEAM 715nm
DM/2020 300W715 = 300WATT WIDE BEAM 715nm
DM/2020 300N830 = 300 WATT SPOT BEAM 830nm
DM/2020 300M830 = 300 WATT MEDIUM BEAM 830nm
DM/2020 300W830 = 300 WATT WIDE BEAM 830nm
DM/2020 500N715 = 500 WATT SPOT BEAM 715nm
DM/2020 500M715 = 500 WATT MEDIUM BEAM 715nm
DM/2020 500N830 = 500 WATT SPOT BEAM 830nm
DM/2020 500M830 = 500 WATT MEDIUM BEAM 830nm

ACCESSORIES

DM/886N = REPLACEMENT 300W SPOT LAMP
DM/886M = REPLACEMENT 300W MEDIUM LAMP
DM/886W = REPLACEMENT 300W WIDE LAMP
DM/HX502 = REPLACEMENT 500W SPOT LAMP
DM/HX502 = REPLACEMENT 500W MEDIUM LAMP
DM/95080 = REPLACEMENT 715NM FILTER ASSEMBLY
DM/95081 = REPLACEMENT 830NM FILTER ASSEMBLY
DM/95068 = STONE GUARD
DM/317IRS = FOR SINGLE IR LAMP 10KG TOTAL
DM/428IRS = FOR SINGLE IR LAMP 15KG TOTAL
DM/428IRD = FOR DUAL IR LAMPS 15KG TOTAL
DM/642IRS = FOR SINGLE IR LAMP 20KG TOTAL
DM/642IRD = DUAL IR LAMP 20KG TOTAL

SPECIFICATION

LAMP

Special Par 56 Style Sealed Beam, 230Vac, 300W or 500W

FILTER

Glass Dichroic Coated, 715nm or 830nm
Transmission better than 90%

BEAM ANGLES						
300 Watt Lamp	Wide	Medium	Narrow	500 Watt Lamp	Medium	Narrow
Horizontal	60°	30°	20°	Horizontal	39°	11°
Vertical	30°	20°	15°	Vertical	23°	9°

ILLUMINATION						
300 Watt Lamp	Wide	Medium	Narrow	500 Watt Lamp	Medium	Narrow
At 50 metres	2 Lux	9 Lux	16 Lux	At 50 metres	6 Lux	48 Lux
At 100 metres		1.75 Lux	4 Lux	At 100 metres	1.5 Lux	12 Lux
At 200 metres			1 Lux	At 200 metres	0.4 Lux	3 Lux

WEIGHT

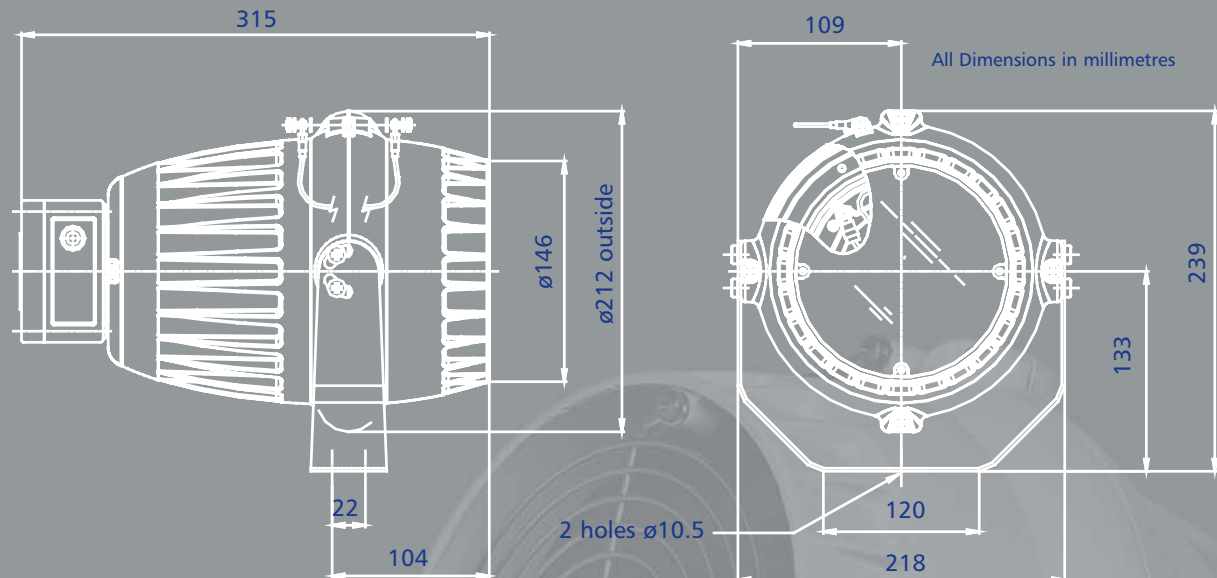
3kg

MATERIAL

Pressure die cast Aluminium alloy

FINISH

Alocrom, Powder coated and stoved, Ash Grey leatherette finish to BS 00-A-01



PLEASE CHECK THE WEBSITE FOR DETAILS OF COMPATIBLE PRODUCTS AND OTHER LATEST DEVELOPMENTS

FOR FURTHER INFORMATION PLEASE CONTACT

- Dedicated Micros UK: 11 Oak Street, Swinton, Manchester M27 4FL UK Tel: +44 (0) 845 600 9500 Fax: +44 (0) 161 727 3300.
- Dedicated Micros USA: 14434 Albemarle Point Place, Suite 100, Chantilly, Virginia 20151 USA Freephone: 800 864 7539 Tel: +1 703 904-7738 Fax: +1 703 904-7743 and 23456 Hawthorne Blvd. Suite 100, Torrance, CA 90505, Tel: +1 310 791-8666 Fax: +1 310 791-9877.
- Dedicated Micros Germany: Neckarstraße 15, 41836 Hückelhoven, Germany Tel: +49 243 352 580 Fax: +49 24 33 52 58 10.
- Dedicated Micros France: 9-13 rue du Moulinet, 75013 Paris, France Tel: +33 1 45 81 99 99, Fax: +33 1 45 81 99 89.
- Dedicated Micros Asia: 16 New Industrial Road, #03-03 Hudson Techno Centre, Singapore 536204 Tel: +65 62858982 Fax: +65 62858646.
- Dedicated Micros Australia: 5/3 Packard Avenue, Castle Hill, NSW 2154, Australia Tel: +612 9634 4211 Fax: +612 9634 4811.
- Dedicated Micros Malta: UB 2, San Gwann Ind. Est., San Gwann, Malta Tel: +356 21483 673 Fax: +356 21449 170.
- Dedicated Micros Middle East: Building 12, Suite 302, P.O.Box 500291, Dubai Internet City, Dubai, United Arab Emirates Tel: +971 (4) 390 1015, Fax: +971 (4) 390 8655.
- Dedicated Micros Slovenia: Delavska cesta 24, 4208 Sencur, Slovenia Tel: +386 4 279 18 90 Fax: +386 4 279 18 91.
- Dedicated Micros Benelux: Joseph Chantraineplantsoen 1, 3070 Kortenberg, Belgium Tel: +32 2751 3480 Fax: +32 2751 3481.



www.dedicatedmicros.com

The manufacturer reserves the right to change the specification without notice.



All trademarks are courtesy of registered owners. The DM logo is a trademark of Dedicated Microcomputers group Ltd. MKT-2020-D-002E