



DENNARD 515/516/517 CAMERA HOUSING

The Dennard 515, 516, 517 range of environmental camera housings are designed to accommodate a wide range of camera/lens combinations and to provide protection to BS.EN 60529 Level IP 65 (no water ingress).

Insulated camera platforms with longitudinal adjustment are supplied as standard, plus window heater, thermostat, three cable glands and full sunshield.

The housings are constructed from aluminium alloy, powder coated and stoved with stainless steel fixings.

Accessories; Self parking wipers, 5 and 25 Litre washers, fans and additional heaters for lower temperature applications are available and can be retro-fitted.

FEATURES

- ▶ **A range of accessories available**
- ▶ **Constructed from aluminium alloy sheet**
- ▶ **Powder coated and stoved**
- ▶ **Window heater / demister and thermostat**
- ▶ **Available voltages - 230V, 110V, and 24V**
- ▶ **Weatherproof to BS EN 60529 level IP65 (no water ingress)**
- ▶ **Horizontally adjustable insulated camera platform**

OPTIONS
DM/515-200 = 440mm HOUSING 24V
DM/515-401 = 440mm HOUSING 110V
DM/515-502 = 440mm HOUSING 230V
DM/516-200 = 485mm HOUSING 24V
DM/516-401 = 485mm HOUSING 110V
DM/516-502 = 485mm HOUSING 230V
DM/517-200 = 560mm HOUSING 24V
DM/517-502 = 560mm HOUSING 230V

ACCESSORIES
DM/428 = WALL BRACKET 15KG LOAD
DM/429-200MM = MEDIUM DUTY COLUMN MOUNTED SWIVEL
DM/642 = WALL BRACKET 20KG LOAD
DM/94057 = ANTI-TAMPER SWITCH
DM/94058 = 515/516/517 KEYLOCK
DM/94059 = 515/516/517 FAN KIT 230V
DM/94060 = 515/516/517 FAN KIT 110V
DM/94061 = 515/516/517 FAN KIT 24V
DM/94062 = 515/516/517 HEATER ASSY 230V
DM/94063 = 515/516/517 HEATER ASSY 110V
DM/94064 = 515/516/517 HEATER ASSY 24V
DM/94065 = LONG PLATFORM OPTION
DM/94066 = WIPER 230V
DM/94067 = WIPER 110V
DM/94068 = WIPER 24V
DM/94072 = 5 LITRE WINDOW WASH 230V
DM/94073 = 5 LITRE WINDOW WASH 110V
DM/94074 = 5 LITRE WINDOW WASH 24V
DM/94075 = 25 LITRE WINDOW WASH 230V
DM/94076 = 25 LITRE WINDOW WASH 110V
DM/94077 = 25 LITRE WINDOW WASH 24V
DM/95032 = REPLACEMENT DEMISTER 110VAC
DM/95033 = REPLACEMENT DEMISTER 230VAC
DM/95031 = REPLACEMENT DEMISTER 24VAC

SPECIFICATION

MATERIAL

Aluminium alloy

FINISH

Powder coated and stoved
Ash Grey, leatherette finish to BS4800 00-a-01

HEATER VOLTAGES

24V, 110V or 230Va.c

POWER CONSUMPTION

75W

POWER CONSUMPTION WITH WIPER

81W

WEIGHT

515 - 3.6kg **516** - 4.5kg **517** - 6.3kg

WEIGHT WITH WIPER

515 - 4.5kg **516** - 5.4kg **517** - 7.2kg

HOUSING MEASUREMENTS

DIMENSION A

515 - 555 **516** - 605 **517** - 700

DIMENSION B

515 - 205 **516** - 235 **517** - 270

DIMENSION C

515 - 162 **516** - 192 **517** - 225

DIMENSION D

515 - 440 **516** - 485 **517** - 560

DIMENSION E

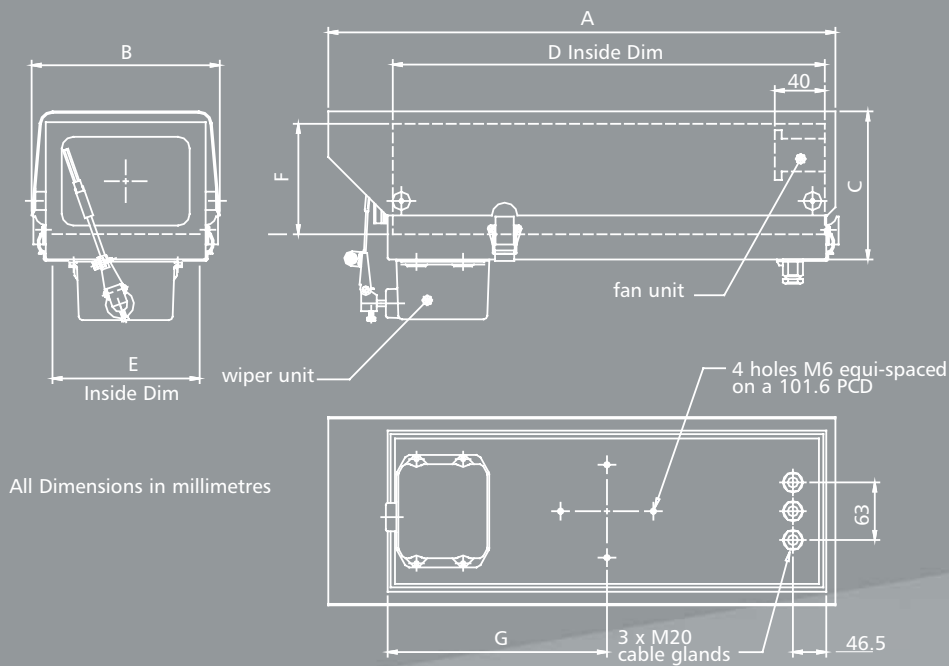
515 - 135 **516** - 160 **517** - 190

DIMENSION F

515 - 125 **516** - 155 **517** - 183

DIMENSION G

515 - 232 **516** - 260 **517** - 288



PLEASE CHECK THE WEBSITE FOR DETAILS OF COMPATIBLE PRODUCTS AND OTHER LATEST DEVELOPMENTS

FOR FURTHER INFORMATION PLEASE CONTACT

Dedicated Micros UK

11 Oak Street, Swinton, Manchester M27 4FL UK Tel: +44 (0) 845 600 9500 Fax: +44 (0) 161 727 3300.

Dedicated Micros USA

14434 Albemarle Point Place, Suite 100, Chantilly, Virginia 20151 USA Freephone: 800 864 7539
Tel: +1 703 904-7738 Fax: +1 703 904-7743 and 23456 Hawthorne Blvd. Suite 100, Torrance, CA 90505,
Tel +1 310 791-8666 Fax: +1 310 791-9877.

Dedicated Micros Germany

Neckarstraße 15, 41836 Hückelhoven, Germany Tel: +49 243 352 580 Fax: +49 24 33 52 58 10.

Dedicated Micros France

9-13 rue du Moulinet, 75013 Paris, France Tel: +33 1 45 81 99 99, Fax: +33 1 45 81 99 89.

Dedicated Micros Asia

16 New Industrial Road, #03-03 Hudson Techno Centre, Singapore 536204 Tel : +65 62858982 Fax : +65 62858646.

Dedicated Micros Australia

5/3 Packard Avenue, Castle Hill, NSW 2154, Australia Tel: +612 9634 4211 Fax: +612 9634 4811.

Dedicated Micros Malta

UB 2, San Gwann Ind. Est., San Gwann, Malta Tel: +356 21483 673 Fax: +356 21449 170.

Dedicated Micros Middle East

Building 12, Suite 302, P.O.Box 500291, Dubai Internet City, Dubai, United Arab Emirates
Tel: +971 (4) 390 1015, Fax: +971 (4) 390 8655.

Dedicated Micros Slovenia

Delavska cesta 24, 4208 Sencur, Slovenia Tel: +386 4 279 18 90 Fax: +386 4 279 18 91.

Dedicated Micros Benelux

Joseph Chantraineplantsoen 1, 3070 Kortenberg, Belgium Tel: +32 2751 3480 Fax: +32 2751 3481.



www.dedicatedmicros.com

The manufacturer reserves the right to change the specification without notice.



All trademarks are courtesy of registered owners.
The DM logo is a trademark of Dedicated Microcomputers group Ltd.
MKT-51X-D-002E