



DENNARD 508 CAMERA HOUSING

The 508 housing is a stylish, weatherproof, fixed attitude, vandal resistant enclosure, designed to accommodate a wide range of cameras.

The housing design incorporates its own universal hidden cable bracket with built-in locking teeth.

All fixings are stainless steel button head socket screws and the window is polycarbonate which adds up to total protection.

To simplify set-up and maintenance the extruded aluminium body with sunshield can slide forward and hang from the front of the camera platform.

A heater and fused mains input terminal block are standard features.

FEATURES

- ▶ **Constructed from aluminium alloy**
- ▶ **Finish: powder coated & stoved**
- ▶ **Vandal resistant extruded aluminium body and polycarbonate window**
- ▶ **Window heater/demister**
- ▶ **Hidden cable bracket for additional protection**
- ▶ **Wall or ceiling mounting**
- ▶ **2 year warranty**
- ▶ **Slide and hang operation for ease of installation & maintenance**
- ▶ **Weatherproof BS.EN 60529 Level IP65 (no water ingress)**

OPTIONS

DM/508-600 = 508 HOUSING & WALL BRACKET (12-24V)

DM/508-701 = 508 HOUSING & WALL BRACKET (110-230V)

ACCESSORIES

DM/95043 = ANTI-TAMPER SWITCH

H146 = REPLACEMENT WINDOW

SPECIFICATION

MATERIAL

Aluminium alloy

FINISH

Powder coated and stoved
Ash Grey, leatherette finish to BS4800 00-A-01

WEIGHT

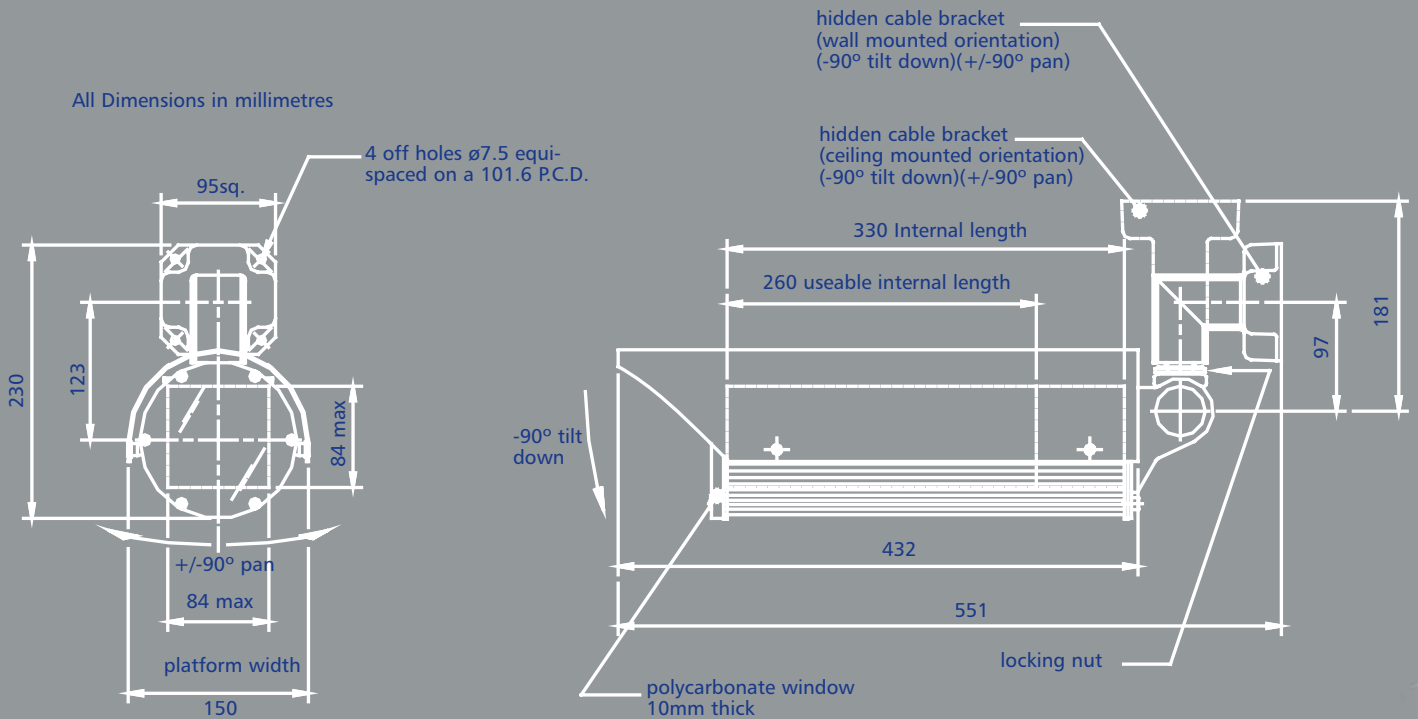
4.5kg

HEATER VOLTAGES

12V - 24V, 110V-230V

HEATER POWER

9W



PLEASE CHECK THE WEBSITE FOR DETAILS OF COMPATIBLE PRODUCTS AND OTHER LATEST DEVELOPMENTS

FOR FURTHER INFORMATION PLEASE CONTACT

Dedicated Micros UK
Dedicated Micros USA

11 Oak Street, Swinton, Manchester M27 4FL UK Tel: +44 (0) 845 600 9500 Fax: +44 (0) 161 727 3300.
14434 Albemarle Point Place, Suite 100, Chantilly, Virginia 20151 USA Freephone: 800 864 7539
Tel: +1 703 904-7738 Fax: +1 703 904-7743 and 23456 Hawthorne Blvd. Suite 100, Torrance, CA 90505,
Tel: +1 310 791-8666 Fax: +1 310 791-9877.

Dedicated Micros Germany
Dedicated Micros France
Dedicated Micros Asia
Dedicated Micros Australia
Dedicated Micros Malta
Dedicated Micros Middle East

Neckarstraße 15, 41836 Hückelhoven, Germany Tel: +49 243 352 580 Fax: +49 24 33 52 58 10.
9-13 rue du Moulinet, 75013 Paris, France Tel: +33 1 45 81 99 99, Fax: +33 1 45 81 99 89.
16 New Industrial Road, #03-03 Hudson Techno Centre, Singapore 536204 Tel: +65 62858982 Fax: +65 62858646.
5/3 Packard Avenue, Castle Hill, NSW 2154, Australia Tel: +612 9634 4211 Fax: +612 9634 4811.
UB 2, San Gwann Ind. Est., San Gwann, Malta Tel: +356 21483 673 Fax: +356 21449 170.
Building 12, Suite 302, P.O.Box 500291, Dubai Internet City, Dubai, United Arab Emirates
Tel: +971 (4) 390 1015, Fax: +971 (4) 390 8655.
Delavska cesta 24, 4208 Sencur, Slovenia Tel: +386 4 279 18 90 Fax: +386 4 279 18 91.
Joseph Chantraineplantsoen 1, 3070 Kortenberg, Belgium Tel: +32 2751 3480 Fax: +32 2751 3481.

Dedicated Micros Slovenia
Dedicated Micros Benelux



www.dedicatedmicros.com

The manufacturer reserves the right to change the specification without notice.



All trademarks are courtesy of registered owners.
The DM logo is a trademark of Dedicated Microcomputers group Ltd.
MKT-508-D-002E