

TYPE 431A1/433B/318/429 MOUNTING BRACKET

Description

Type 431A1 The type 431A1 has been designed as a functional indoor wall bracket for camera and lens combinations not exceeding 4kg. Allen key locked for security.

Type 433B The type 433B is an attractively styled indoor, universal camera bracket, with concealed mounting screw. Allen key locked for security. Maximum permissible load 4kg.

Type 318, 429 The type 318 & 429 are outdoor ceiling brackets for 10 and 15kg loads. Standard lengths 100, 150 and 200mm or to order.



Key features:

- Allen key locked (Type 431A1, 433B)
- Various lengths available (Type 318, 429)
- Flexible mounting system
(wall, ceiling - for type 433B)
- Concealed mounting screw (type 433B)

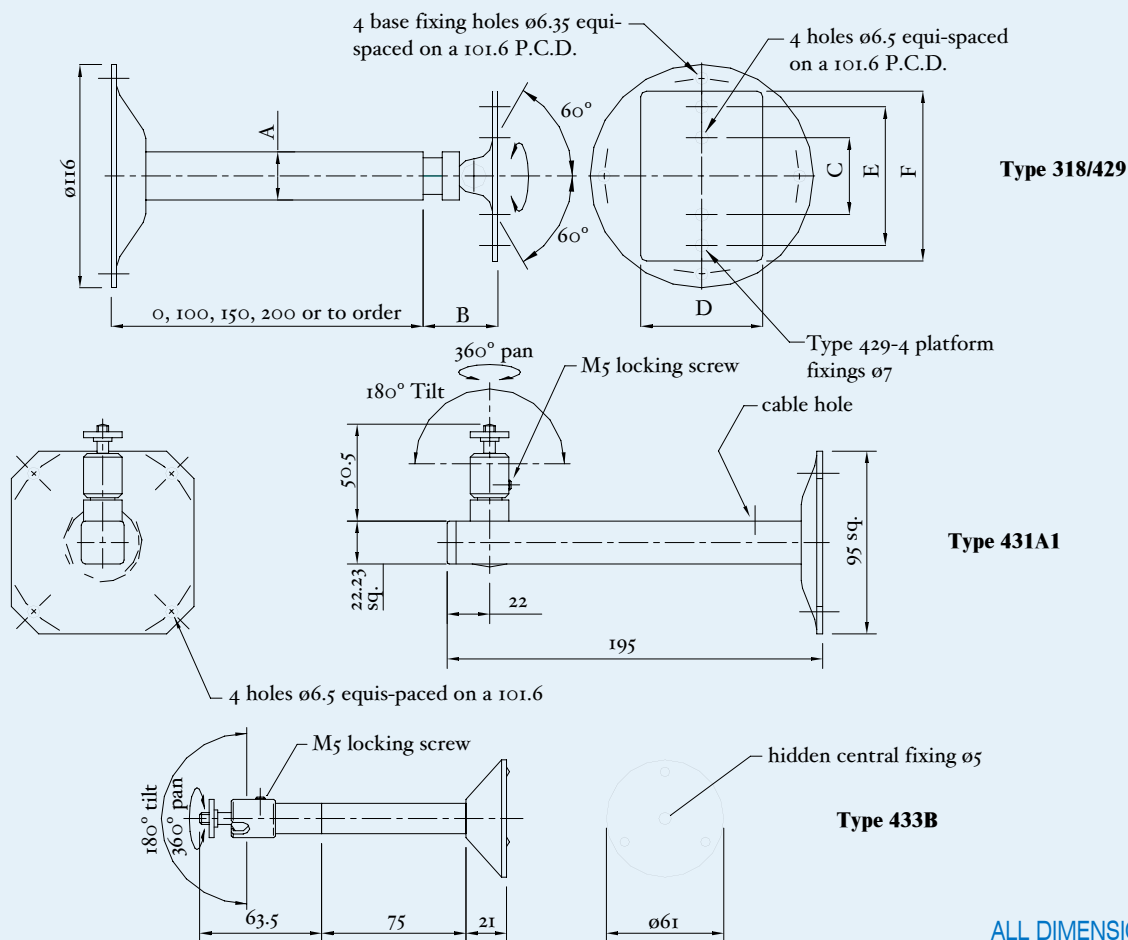
Dennard

FOR FURTHER INFORMATION or TO ORDER call +44(0)1252 614884
or go to..www.dennard-cctv.com or email: sales@dennard-cctv.com

6



TYPE 431A1/433B/318/429 MOUNTING BRACKET



ALL DIMENSIONS IN mm

SPECIFICATION

	Type 431A	Type 433B	Type 318/429
Material	Mild steel (431A1)	Mild steel & Alum. Alloy	Steel & Alum. Alloy
Finish	Powder coated and stoved	Powder coated and stoved	Powder coated and stoved
Load:	4kg	4kg	20kg



Dennard Ltd 55 Fleet Road Fleet Hants GU51 3PN



T. +44(0)1252 614884 F. +44(0)1252 626013 email: sales@dennard-cctv.com

The information contained in this document is for guidance only. Specification and availability of the goods are subject to change without notice.