



### Description

#### Type 214, 317 & 428

The type 214, 317 and 428 range of wall brackets are specifically designed to support housings and / or camera combinations up to a maximum weight of 15kg for the type 428, 5kg for the type 428B, 10kg for the type 317 and 4 kg for the type 214.

Slackening a single bolt releases the head assembly which enables the camera to be panned through 360 degrees and tilted through +/- 70 degrees before locking in the desired position.

The type 428 is available with a transfer plate in place of the manual pan & tilt mounting, please add suffix 'B' to the type number when ordering this option. Extended trunnion bar versions are also available for the range, allowing single or double infra-red lamp mounting alongside the camera housings.

Brackets are constructed from aluminium die castings with a powder coat and stoved finish as standard.

### Features

- 1 Attractively styled.
- 2 Payloads of up to 15kg (428).
- 3 Payloads of up to 5kg (428B).
- 4 Payloads of up to 10kg (317).
- 5 Payloads of up to 4kg (214)
- 6 360 degrees pan movement.
- 7 +/- 70 degrees tilt movement.
- 8 Constructed from die cast aluminium, powder coated & stoved.
- 9 A range of build options available.

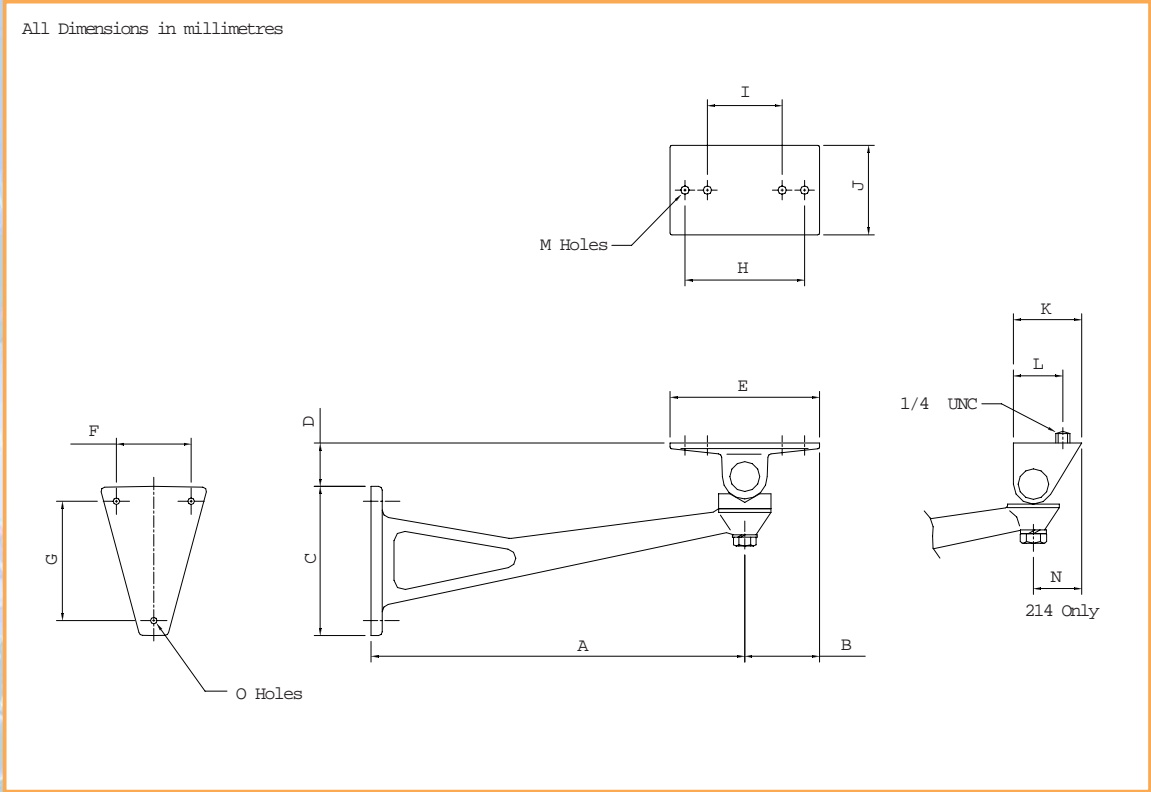
### Build Options

- /IRS Single IR lamp mounting facility.
- /IRD Double IR lamp mounting facility..
- /B Motorised pan & tilt mounting plate (428 only).

**DENNARD SUPPORT LINE +44 (0) 1252 614884**

Fax: 01252 826013

All Dimensions in millimetres



Dimensions:

	A	B	C	D	E	F	G	H	I	J	K	L	M	N	O
214	159		68	14.5		40	51			19	29	21		20.5	ø4.0
317	233	32	102	5	64	60	76.5	50		54			ø7.0		ø6.0
428	317.5	63.5	127	48	127	63.5	101.6	101.6	63.5	76.2			ø7.0		ø5.0

Specifications

Type 214	Type 317	Type 428
Material: Aluminium alloy castings.	Aluminium alloy castings.	Aluminium alloy castings.
Finish: Powder coated and stoved.	Powder coated and stoved.	Powder coated and stoved.
Weight: 4kg	30kg	15kg
		5kg (type 428B)



**Dennard**

55 Fleet Road, Fleet, Hants, England. Tel: 01252 614884 Fax: 01252 626013  
Web Site Address: [www.dennard-cctv.com](http://www.dennard-cctv.com)

