

# Dennard 2000



## DENNARD 2000 PAN & TILT HEAD

Innovative design combined with advanced production techniques and modern styling make this unit the benchmark for the next generation of pan & tilt heads.

Offered with externally adjustable limit switches and Pre-set positions.

Ease of maintenance and servicing has been significantly improved over conventional pan & tilt designs. All external fixings

are the same size. Options and accessories can be retro-fitted with plug-in wiring.

Type 2000 pan & tilt heads can be operated upright or inverted and are available in the following range of voltages: 230Va.c, 24Va.c and 24Vd.c.

### FEATURES

- ▶ **Aesthetically styled**
- ▶ **Pressure die cast & Sheet construction**
- ▶ **Covered externally adjustable limits**
- ▶ **Weatherproof to BS.EN.60529 Level IP66. (no water ingress)**
- ▶ **Payloads of up to 20kg (no need for counter balance weights)**
- ▶ **Available voltages: 230V(AC) 24V(AC) 24V(DC) units**

#### OPTIONS

**DM/2000-500 = 20KG PAN & TILT 230V**

**DM/2000-501 = 20KG PAN & TILT 230V WITH PRESET LONG LIFE POTENTIOMETERS**

**DM/2000-502 = 20KG PAN & TILT 230V 12D/SEC**

**DM/2000-503 = 20KG PAN & TILT 230V 12D/SEC PRESET LONG LIFE POTENTIOMETERS**

**DM/2000-230 = 20KG PAN & TILT 24V**

**DM/2000-231 = 20KG PAN & TILT 24V WITH PRESET LONG LIFE POTENTIOMETERS**

**DM/2000-232 = 20KG PAN & TILT 24V 12D/SEC**

**DM/2000-233 = 20KG PAN & TILT 24V 12D/SEC PRESET LONG LIFE POTENTIOMETERS**

**DM/2000-308 = 20KG PAN & TILT 24V DC**

**DM/2000-309 = 20KG PAN & TILT 24V DC WITH PRESET LONG LIFE POTENTIOMETERS**

**DM/2000-310 = 20KG PAN & TILT 24V DC WITH PRESET, CONSTANT ROTATION LONG LIFE POTENTIOMETERS**

# SPECIFICATION

## WEIGHT

7.5kg

## FINISH

Powder coated & stoved

## PAN MOVEMENT

5° to 350°

## MAXIMUM LOAD

20kg

## PAN MOVEMENT

+20° to -90°

## TRANSMISSION

Better than 90%

## PAN SPEED

**2000-500+**  
7.5°/sec

**2000-230+**  
7.5°/sec

**2000-308+**  
48°/sec  
(no load speed 24Vd.c)

## TILT SPEED

**2000-500+**  
3°/sec

**2000-230+**  
3°/sec

**2000-308+**  
16°/sec  
(no load speed 24Vd.c)

## PAN TORQUE

150kg

## TILT TORQUE

400kg

## OPERATING TEMPERATURE

-20° to +55°

## BACKLASH

0.5°/sec maximum

## POWER CONSUMPTION

**2000-500+**  
24W

**2000-230+**  
24W

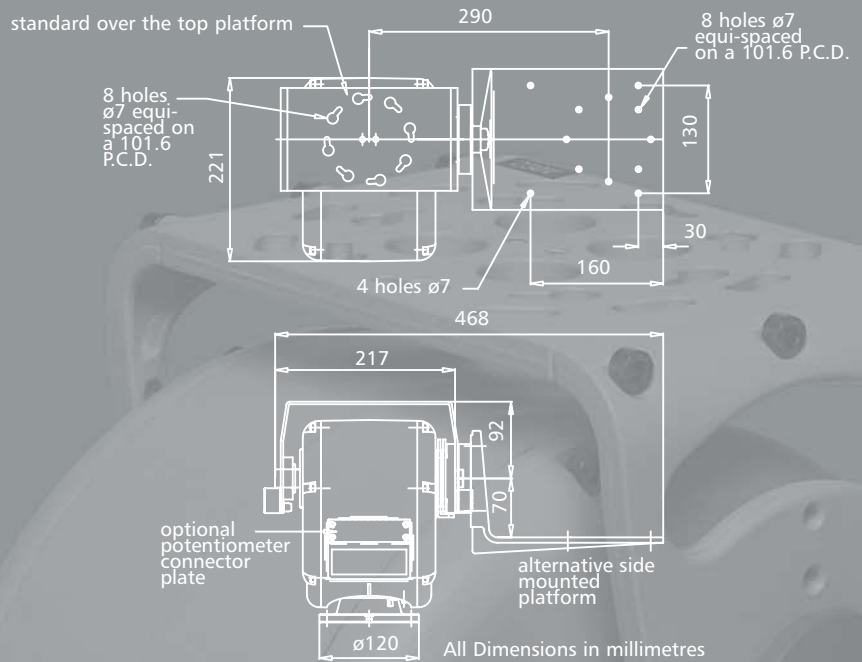
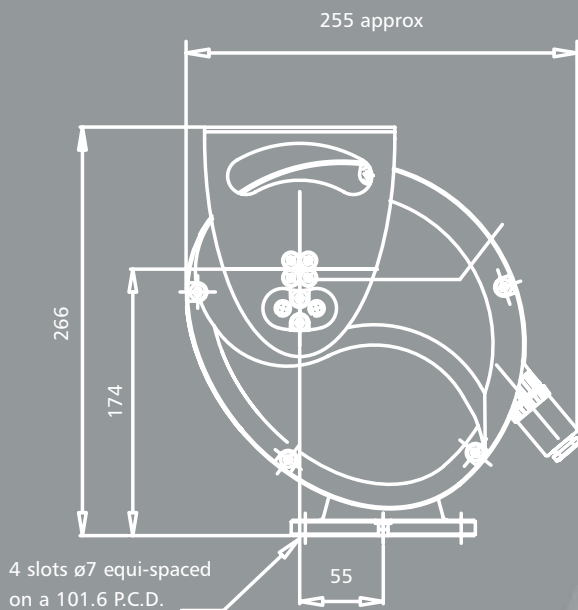
**2000-308+**  
• 36W

## CONNECTION

**2000-500+**  
7 way connector  
(plus 4 way for preset option)

**2000-230+**  
7 way connector

**2000-308+**  
• 14 way connector



PLEASE CHECK THE WEBSITE FOR DETAILS OF COMPATIBLE PRODUCTS AND OTHER LATEST DEVELOPMENTS

FOR FURTHER INFORMATION PLEASE CONTACT

Dedicated Micros UK  
Dedicated Micros USA

11 Oak Street, Swinton, Manchester M27 4FL UK Tel: +44 (0) 161 727 3200 Fax: +44 (0) 161 727 3300.  
14434 Albemarle Point Place, Suite 100, Chantilly, Virginia 20151 USA Freephone: 800 864 7539  
Tel: +1 703 904-7738 Fax: +1 703 904-7743 and 23456 Hawthorne Blvd. Suite 100, Torrance, CA 90505,  
Tel +1 310 791-8666 Fax: +1 310 791-9877.

Dedicated Micros Germany  
Dedicated Micros France  
Dedicated Micros Asia  
Dedicated Micros Australia  
Dedicated Micros Malta  
Dedicated Micros Middle East

Neckarstraße 15, 41836 Hückelhoven, Germany Tel: +49 243 352 580 Fax: +49 24 33 52 58 10.  
9-13 rue du Moulinet, 75013 Paris, France Tel: +33 1 45 81 99 99, Fax: +33 1 45 81 99 89.  
16 New Industrial Road, #03-03 Hudson Techno Centre, Singapore 536204 Tel: +65 62858982 Fax: +65 62858646.  
5/3 Packard Avenue, Castle Hill, NSW 2154, Australia Tel: +612 9634 4211 Fax: +612 9634 4811.  
UB 2, San Gwann Ind. Est., San Gwann, Malta Tel: +356 21483 673 Fax: +356 21449 170.  
Building 12, Suite 302, P.O.Box 500291, Dubai Internet City, Dubai, United Arab Emirates  
Tel: +971 (4) 390 1015, Fax: +971 (4) 390 8655.  
Delavska cesta 24, 4208 Sencur, Slovenia Tel: +386 4 279 18 90 Fax: +386 4 279 18 91.  
Joseph Chantraineplantsoen 1, 3070 Kortenberg, Belgium Tel: +32 2751 3480 Fax: +32 2751 3481.

Dedicated Micros Slovenia  
Dedicated Micros Benelux



[www.dedicatedmicros.com](http://www.dedicatedmicros.com)

The manufacturer reserves the right to change the specification without notice.



All trademarks are courtesy of registered owners.  
The DM logo is a trademark of Dedicated Microcomputers group Ltd.  
MKT-200X-D-001E