

Type dbt200/500 PIR Detector



This wire free Type dbt500W PIR detector has been designed to operate in an outdoor environment while maintaining accuracy in detection and keeping false alarms to a minimum. The low power consumption of this product means that it will operate for years using a Lithium PP3 9 Volt battery. This small battery has enough power for up to 100,000 transmissions.

When used with the dbr16 multi zone receiver, this PIR will direct dome cameras to view an area where movement has been detected. The license exempt built-in VHF 173MHz transmitter can penetrate large buildings and works exceptionally well

in heavy commercial and industrial areas. It even works round metal clad buildings. Line of sight transmission ranges can be far in excess of 1km.

The hard wired Type dbt200 PIR works on the same principle as the Type dbt500W but with the option of setting alarm contacts as normally open, or normally closed. The advanced signal processing can be set for single or double pulse and a rotary sensitivity control is also supplied.

benefits

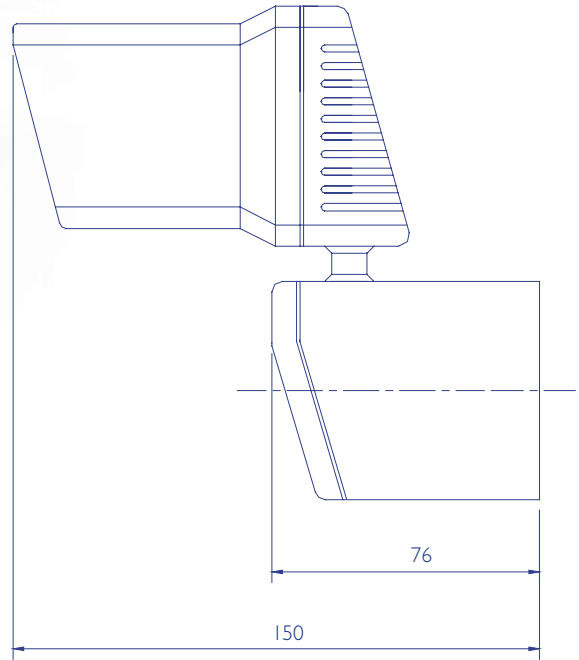
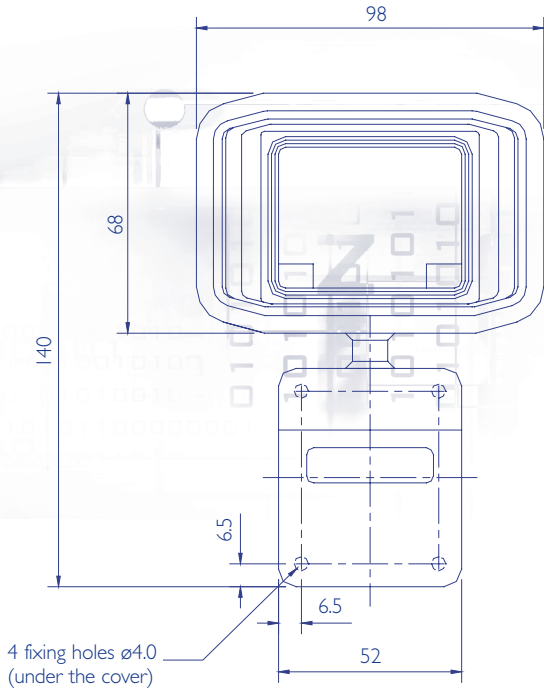
dbt200

- VARIABLE SENSITIVITY
- CHOICE OF NORMALLY OPEN OR CLOSED RELAY CONTACTS
- WEATHERPROOF TO IP65

dbt500W (as per dbt200 plus following)

- TRANSMISSION RANGE OVER 1KM LINE OF SIGHT
- RADIO LICENSE EXEMPT
- DIGITAL CODING PROVIDES 32 SITE CODES AND 16 UNIT CODES
- WHITE LIGHT FILTERING
- BATTERY OPERATED
- ULTRA LOW POWER CONSUMPTION

Type dbt200/500W PIR Detector



All Dimensions in millimetres

Specification

HOUSING

- Durable ABS UV stabilised housing. Weatherproof to IP65

LENS OPTIONS

- Choice of three lens patterns

POWER SUPPLY

DBT500W

- 9 Volts (Lithium PP3 battery)

TRANSMITTER FREQUENCY

DBT500W

- 173.225 MHz. (Crystal Controlled)

MODULATION

DBT500W

- PPM

TRANSMISSION RANGE

DBT500W

- 1km line of sight

DBT200

- 10-15 Volts d.c.

DBT200

- N/A

DBT200

- N/A

DBT200

- N/A

SITE CODES

DBT500W

- 32

UNIT CODES

DBT500W

- 16. These operate the individual outputs on the dbr 16 receiver

TESTED TO

DBT500W

- MPT 1344. WT license exempt

CURRENT CONSUMPTION

DBT500W

- Battery powered (N/A)

DBT200

- N/A

DBT200

- N/A

DBT200

- N/A

DBT200

- 20mA

PLEASE CHECK THE WEBSITE FOR LATEST DEVELOPMENTS

FOR FURTHER INFORMATION PLEASE CONTACT

The manufacturer reserves the right to change the specification without notice.

All trademarks are courtesy of registered owners.
DM is a trademark of Dedicated Microcomputers Group Ltd.
REF: DM01/05



www.dedicatedmicros.com

Doc 74 0215

Dedicated Micros UK

11 Oak Street, Swinton, Manchester, M27 4FL, UK Tel: +44 (0) 161 727 3200 Fax: +44 (0) 161 727 3300.

Dennard UK

Tel: +44 (0)1252 614884 Fax: +44 (0)1252 626013 e-mail: sales@dennard-cctv.com

Dedicated Micros USA

14434 Albemarle Point Place, Suite 100, Chantilly, Virginia 20151 USA Freephone: 800 864 7539
Tel: +1 703 904-7738 Fax: +1 703 904-7743 and 23456 Hawthorne Blvd. Suite 100, Torrance, CA 90505,
Tel +1 310 791-8666 Fax: +1 310 791-9877.

Dedicated Micros Europe

Neckarstraße 15, 41836 Hückelhoven, Germany Tel: +49 243 352 580 Fax: +49 24 33 52 58 10
e-mail: infobox@dmicros.com

Dedicated Micros Belgium

Joseph Chantraineplantsoen 1, 3070 Kortenberg, Belgium Tel: +32 2751 3480, Fax: +32 2751 3481
e-mail: dmbenelux@dmicros.com

Dedicated Micros Ltd. Slovenia

Delavska cesta 26, 4208 Sencur-Slovenija Tel: +386 (4) 279 18 90, Fax: +386 (4) 279 18 91
e-mail: dmslovenia@dmicros.com

Dedicated Micros France

9-13 rue du Moulinet, 75013 Paris, France Tel: +33 1 45 81 99 99, Fax: +33 1 45 81 99 89.
e-mail: dmfrance@dmicros.com

Dedicated Micros Asia

16 New Industrial Road, #03-03 Hudson Techno Centre, Singapore 536204 Tel : +65 62858982 Fax : +65 62858646.

Dedicated Micros Australia

5/3 Packard Avenue, Castle Hill, NSW 2154, Australia Tel: +612 9634 4211 Fax: +612 9634 4811.

Dedicated Micros Malta

UB 2, San Gwann Ind. Est., San Gwann, Malta Tel: +356 21483 673 Fax: +356 21449 170.

Dedicated Micros Middle East

Building 12, Suite 302, P.O.Box 500291, Dubai International City, Dubai, United Arab Emirates
Tel: +971 (4) 390 1015, Fax: +971 (4) 390 8655.