



Dennard 2040

DENNARD 2040 INDOOR DOME

The 2040 is a robust, cost effective and compact surveillance dome camera solution designed for the indoor environment. It is quick and simple to install, and comes in two formats suitable either for tile mount or ceiling pendant mounting.

A high quality mechanism, combined with injection moulded optical quality polycarbonate hemisphere and Sony 18x optical zoom colour camera modules with dynamic privacy masking, enables 2040 users to monitor and record high quality images whilst complying with privacy and data protection legislation.

Using on-screen display menus currently available in 12 languages simplifies configuration and accessing features for authorised users, whilst PIN coding protects against unauthorised access.

The 2040 dome comes complete with DM / BBV / Baxall up-the-coax and multi-protocol RS485 telemetry making it compatible with industry standard control equipment and suitable for both new installations as well as system camera upgrades.

FEATURES

- ▶ **Optically correct impact resistant hemisphere**
- ▶ **Sensitive Sony colour camera**
- ▶ **24 privacy zones (up to 8 displayed at one time)**
- ▶ **18x optical zoom with 4x digital zoom**
- ▶ **Video lift and gain adjustments**
- ▶ **Robust die cast internal mechanism with camera movement**
- ▶ **2 year warranty**
- ▶ **Tile and wall or pendant mounting versions**
- ▶ **Compatible with DM/2060 bracketry**
- ▶ **Innovative quick release mechanism to assist with installation**
- ▶ **Optimised compatibility with Dedicated Micros controllers**
- ▶ **Coax & RS485 control, with multi-protocol support**
- ▶ **Multi-language options**

	INDOOR	18X COLOUR	PAL	NTSC	CLEAR HEMI	SMOKED HEMI	PENDANT MOUNT	TILE MOUNT	DM/BBV/BAXALL/ UTC OR MULTI- PROTOCOL RS485 TELEMETRY	PSU	EN/ES/ FR/IT/ NL	DA/ES/ FR/FI/ SV	CS/EN/ HR/PL
DM/2040-204	*	*	*			*	*		*	NOT INCLUDED	*		
DM/2040-204E	*	*	*			*	*		*	NOT INCLUDED		*	
DM/2040-204N	*	*	*			*	*		*	NOT INCLUDED			*
DM/2040-206	*	*	*			*		*	*	NOT INCLUDED	*		
DM/2040-206E	*	*	*			*		*	*	NOT INCLUDED		*	
DM/2040-206N	*	*	*			*		*	*	NOT INCLUDED			*
DM/2040-256	*	*	*		*			*	*	NOT INCLUDED	*		

ACCESSORIES

DM/94012	POWER SUPPLY UNIT FOR 2040 DOME WITH UK PLUG, 230VAC IN ,24VAC 1A OUT
DM/94013	POWER SUPPLY UNIT FOR 2040 DOME WITH EURO PLUG, 230VAC IN ,24VAC 1A OUT
DM/95075	HEMISPHERE SMOKED 2040 TILE MOUNT
DM/95094	HEMISPHERE CLEAR 2040 TILE MOUNT
DM/95095	HEMISPHERE SMOKED 2040 PENDANT MOUNT
DM/95096	HEMISPHERE CLEAR 2040 PENDANT MOUNT
DM/95053	DOMe INTERFACE RECEIVER AND PSU 230V IN 24VAC, 4 ALARM I/P AND 1 ALARM O/P DM UTC OR RS485 TELEMETRY
DM/95057	DOMe ALARM CARD AND PSU 230V IN 24VAC OUT, 8 ALARM I/P AND 1 ALARM O/P DM UTC TELEMETRY

MULTI-LANGUAGE OPTIONS

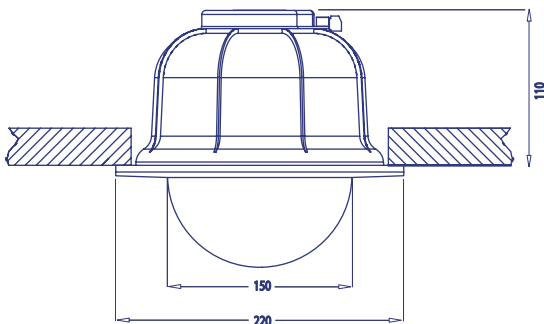
WESTERN (STANDARD)	NORTHERN (N)	EASTERN (E)
ENGLISH	ENGLISH	ENGLISH
SPANISH	GERMAN	POLISH
DUTCH	SWEDISH	CZECH
ITALIAN	DANISH	CROATIAN
FRENCH	FINNISH	-

TECHNICAL SPECIFICATION	
CAMERA MOVEMENT	0.05°/SEC TO 300°/SEC MAX (BOTH AXES) 360° CONTINUOUS PAN ROTATION
STORAGE CAPACITY	UP TO 100 POSITIONS WITH 20 CHARACTER PROGRAMMABLE TITLES. 50 TOURS OF UP TO 16 PRESET POSITIONS. 50 DEEP ALARM RESPONSE MEMORY.
VIDEO LAUNCH AMPLIFIER	0-4dB : 5 STEPS
VOLTAGE	18-26 VAC
POWER CONSUMPTION	10W
OPERATING TEMPERATURE	-10°C TO 50°C MAX 90% HUMIDITY
MATERIAL	INJECTION MOULDED ABS ACRYLIC BODY AND POLYCARBONATE HEMISPHERE
ENVIRONMENT	IP40
FINISH	COLOUR: ASH GREY PLASTIC PARTS: RAL9002 METAL PARTS: LEATHERETTE POLYESTER POWDER COAT TO BS4800 00-A-01
DIMENSIONS AND WEIGHT	
TILE MOUNT (DM/2040-206)	150MM DIAMETER HEMISPHERE WITH 220MM CEILING RING. 110MM HEIGHT BEHIND CEILING PANEL 1.5KG
PENDANT MOUNT (DM/2040-204)	172MM DIAMETER X 203MM HIGH 1.5KG
PSU	68 X 115 X 70MM

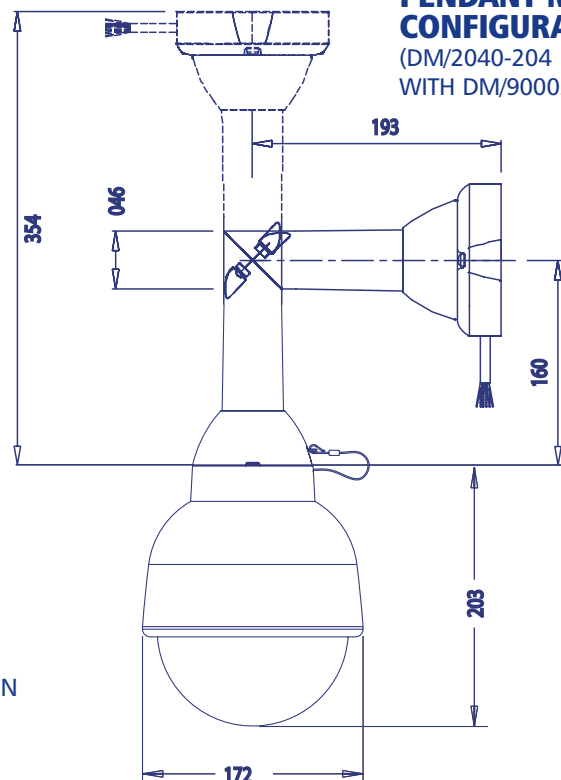
CAMERA SPECIFICATION	
TYPE	SONY SUPER HAD 1/4" CCD 430K EFFECTIVE PIXELS
RESOLUTION	
PAL	460TVL
SENSITIVITY	
COLOUR	1 LUX AT 50IRE
ZOOM RANGE	
OPTICAL	18X
FOCAL LENGTH	4.1 TO 73.8MM (F1.4 TO F3)
ANGLE OF VIEW	2.7°(TELE) TO 48°WIDE
DIGITAL ZOOM	4X
PRIVACY MASKS	24 (UP TO 8 DISPLAYED A ONCE)

PROTOCOL	UP THE COAX	RS485	RS485 ADDRESS RANGE
DENNARD / DM	YES	YES	120 ADDRESSES
BAXALL	YES		
BBV	YES		
PELCO P 4800		YES	60 ADDRESSES
BOSCH		YES	30 ADDRESSES
ULTRAK		YES	30 ADDRESSES

TILE MOUNT CONFIGURATION (DM/2040-206)



PENDANT MOUNT CONFIGURATION (DM/2040-204 WITH DM/90002)



ALL DIMENSIONS IN MILLIMETRES

MOUNT OPTIONS



1. DM/90002



2. DM/90003



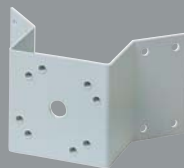
3. DM/90004



4. DM/90005



5. DM/90006



6. DM/90007



7. DM/90008



8. DM/90009

NO	PRODUCT CODE	DIMENSIONS	DESCRIPTION
1	DM/90002	H354xØ46mm; H160x193mm	Wall/Pendant Mount
2	DM/90003 DM/90012 DM/90013	H250-Ø44.5mm H500-Ø44.5mm H1000-Ø44.5mm	Pendant Mount
3	DM/90004	H900xW300mm	Snowdrop Mount
4	DM/90005		Vintage style wall mount for 2040/2060 Dome
5	DM/90006	Ø240xØ80mm	Ceiling Mount Plate
6	DM/90007	H126xW126x D80mm	Corner Bracket to convert existing wall bracket
7	DM/90008	H126xW176x D300mm	Extended Corner Bracket
8	DM/90009	L600xH190mm	Extended Wall Mount

PLEASE CHECK THE WEBSITE FOR DETAILS OF COMPATIBLE PRODUCTS AND OTHER LATEST DEVELOPMENTS

FOR FURTHER INFORMATION PLEASE CONTACT

Dedicated Micros UK
Dedicated Micros USA

11 Oak Street, Swinton, Manchester M27 4FL UK Tel: +44 (0) 845 600 9500 Fax: +44 (0) 161 727 3300.
14434 Albemarle Point Place, Suite 100, Chantilly, Virginia 20151 USA Freephone: 800 864 7539
Tel: +1 703 904-7738 Fax: +1 703 904-7743 and 23456 Hawthorne Blvd. Suite 100, Torrance, CA 90505,
Tel: +1 310 791-8666 Fax: +1 310 791-9877.

Dedicated Micros Germany

Neckarstraße 15, 41836 Hückelhoven, Germany Tel: +49 243 352 580 Fax: +49 24 33 52 58 10.

Dedicated Micros France

9-13 rue du Moulinet, 75013 Paris, France Tel: +33 1 45 81 99 99, Fax: +33 1 45 81 99 89.

Dedicated Micros Asia

16 New Industrial Road, #03-03 Hudson Techno Centre, Singapore 536204 Tel: +65 62858982 Fax: +65 62858646.

Dedicated Micros Australia

5/3 Packard Avenue, Castle Hill, NSW 2154, Australia Tel: +612 9634 4211 Fax: +612 9634 4811.

Dedicated Micros Malta

UB 2, San Gwann Ind. Est., San Gwann, Malta Tel: +356 21483 673 Fax: +356 21449 170.

Dedicated Micros Middle East

Building 12, Suite 302, P.O.Box 500291, Dubai Internet City, Dubai, United Arab Emirates

Tel: +971 (4) 390 1015, Fax: +971 (4) 390 8655.

Dedicated Micros Slovenia

Delavska cesta 24, 4208 Sencur, Slovenia Tel: +386 4 279 18 90 Fax: +386 4 279 18 91.

Dedicated Micros Benelux

Joseph Chantraineplantsoen 1, 3070 Kortenberg, Belgium Tel: +32 2751 3480 Fax: +32 2751 3481.



www.dedicatedmicros.com

The manufacturer reserves the right to change the specification without notice.

All trademarks are courtesy of registered owners.
DV-IP is trademark of AD Holdings plc.
The DM logo is a trademark of Dedicated Microcomputers group Ltd.
MKT-2040-D-003E

