

Dennard



Description

Type 2006

Innovative design combined with advanced production techniques and modern styling make the type 2006 the benchmark for the next generation of pan & tilt heads.

The Type 2006 is offered with conventional externally adjustable limit switches and optional preset potentiometers.

Ease of maintenance and servicing has been significantly improved over conventional pan & tilt designs. All external fixings are the same size, options and accessories can be retro fitted with plug in wiring. All Type 2006 pan & tilt heads can be operated upright or inverted

Type 2006

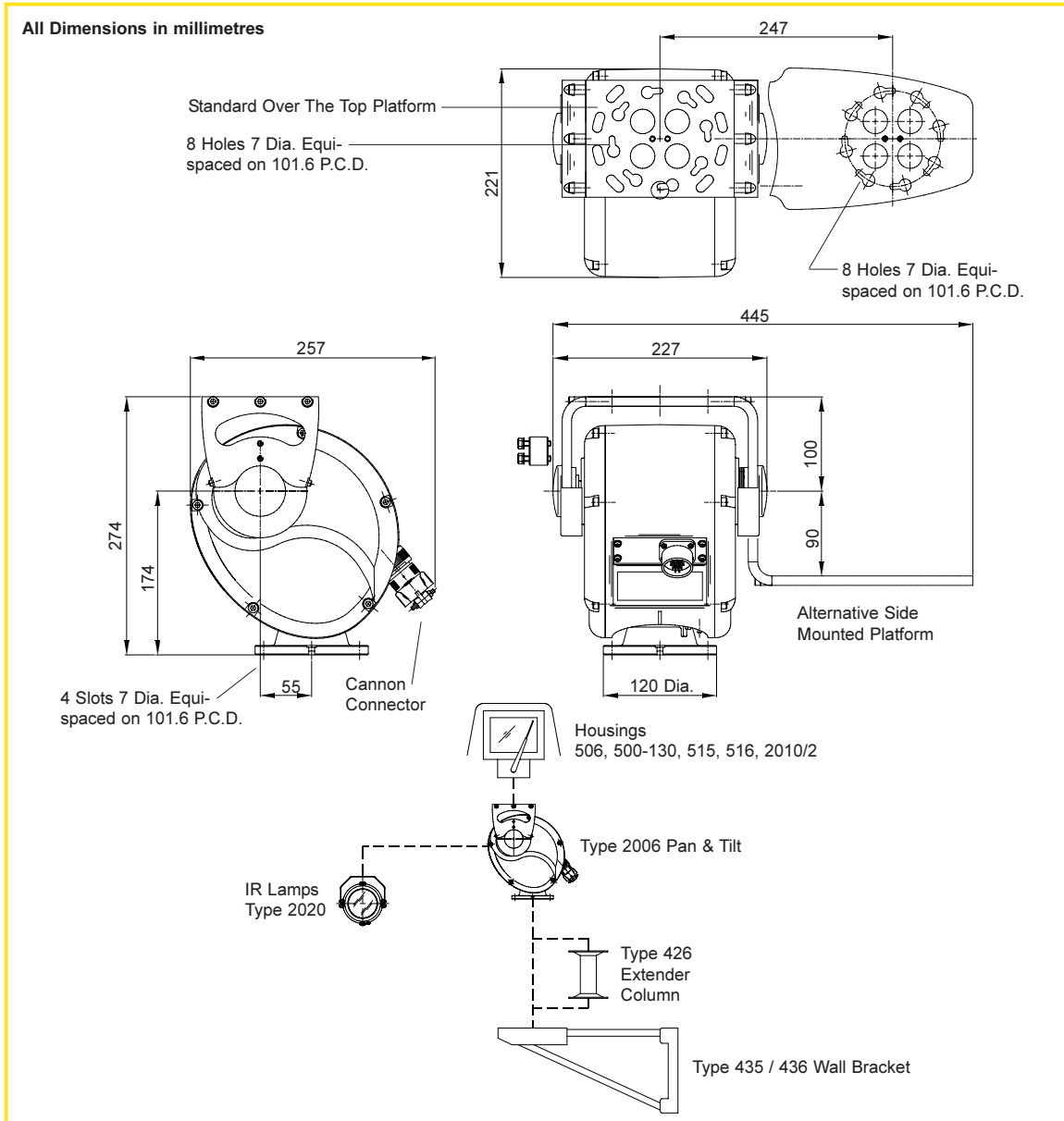
The Type 2006 is a 24V.d.c. unit

Features

- ① Aesthetically styled.
- ② Payloads of up to 20kg (no need for counter balance weights).
- ③ Pressure die cast construction.
- ④ 24V.d.c. unit
- ⑤ Available in a range of configurations
- ⑥ Weatherproof. BS. EN 60529 Level IP 66 (no water ingress)
- ⑦ Covered externally adjustable limits
- ⑧ Anti-backlash pan gearing

Build Options

- /PP* Pan Potentiometers.
- /TP* Tilt Potentiometers.
- /PE* Pan Encoder.
- /LT* Low Temperature (-30°C).
- /SP* Side Platform.



Specifications

Maximum Load:	20kg
Pan Movement:	5° to 350°
Tilt Movement:	+20° to -90°
Pan Speed:	48°/sec. } no load speed
Tilt Speed:	16°/sec. } at 24Vd.c.
Pan Torque:	150kg cm
Tilt Torque:	400kg cm
Operating temperature:	-20°C to +55°C
Backlash:	0.5° maximum (anti backlash final pan gear).
Weight:	7.5kg
Finish:	Powder coated & stoved.
Power consumption:	36 VA total.
Connection:	Multipole connector(s).
Environmental protection:	BS. EN.60529 Level IP66 (no water ingress)

