

VideoNetBox eXchange drive

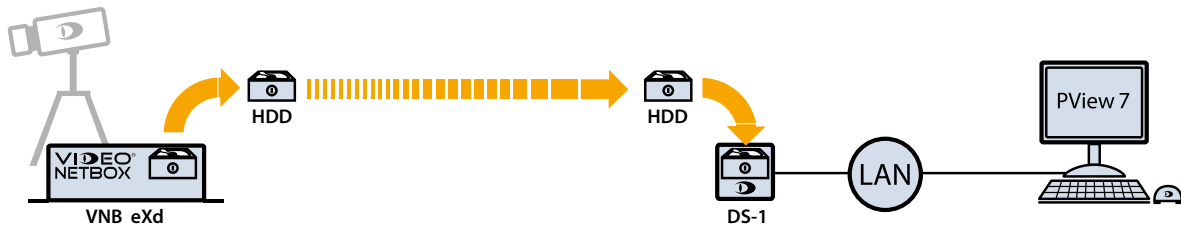
Hybrid Server, 8 Channels, 1080p, 2,5" Removable Hard Disk, Max. 55 W

VIDEO NETBOX®



The **VideoNetBox eXd** is a compact hybrid audio and video server with up to 8 freely configurable video channels (analogue/SD-IP/HD-IP) and a removable hard disk. The **basic version with 4 video channels** can be extended by up to 4 additional freely configurable video channels with a license code.

The **VNB eXd** is designed for the recording on a hot-swap removable hard disk that can be evaluated independently with the optional available **Docking Station DS-1**. The parallel recording on the internal hard disk ensures a comprehensive and continuous surveillance even in the case of a hard disk exchange.



Hybrid Server

Up To 8 Channels

Hot-Swap Removable Hard Disk

Many Deployment Options

- Up to 8× freely configurable video channels (analogue/ SD-IP/ HD-IP)
- Simultaneous real-time recording, real-time streaming, remote access, live display, playback¹⁾
- Video compression H.264, MPEG-4, MJPEG
- Audio compression G.722, MPEG-1 Layer 2
- Resolution SD (up to D1), HD (up to 1080p), megapixel (up to 8MP)
- **Plus Paket HSR included**
- **Internal hard disk 2,5" included**
- Removable tray 2,5" included (HDD optionally available)²⁾
- **Parallel recording on internal and removable hard disk**
- Configuration and commissioning with NetConfig2 via Ethernet
- **Evaluation of the removable hard disk with Docking Station DS-1³⁾**
- Direct evaluation with PView 7 or SeMSy® via Ethernet⁴⁾
- **Local evaluation supported (DLC - LocalViewing required)⁴⁾**
- 12V DC power output for camera supply
- Linux operating system on Flash memory

Variants

002991	VideoNetBox eXd 4× freely configurable video channels, 1× internal 500 GB HDD (2,5")
--------	--

Options

003390	HDD 500 GB, 2.5" (Toshiba)
000497	VPI-8 Cabling of analogue cameras (power supply, video signal and RS485 interface) via a CAT cable
002992	DS-1 Docking Station for the evaluation of removable hard disk drives, without hard drive
003422	Removable Tray For 2.5" HDD (VNB eXd, DS-1) Tray for 2,5" removable hard disks, suitable for VNB eXd and DS-1, without hard disk

Licenses

000124	DLC - 2 Freely Configurable Channels (VNB) License for 2 additional freely configurable channels (analogue/ SD-IP/ HD-IP)
000267	DLC - Audio Recording For All Analogue Channels License for the use of audio recording for all analogue channels
000016	DLC - SEDOR Camera Sabotage Protection (VNB) Detection and reporting of covering, defocusing and twisting of analog cameras
000159	DLC - PRemote HD & SEDOR Camera Sabotage Protection (VNB) License for the transmission of HD video at low bandwidth, incl. DLC - SEDOR camera sabotage protection
000301	DLC - LocalViewing (VNB) Integrated video player for the direct image evaluation (Live, playback) with the graphical user interface

1) Live display, playback, and remote access with SeMSy® or PView7 via Ethernet
2) Exchange of HDD during operation (hot-swap), no monitor or input device required

3) SmartFinder and fast data base search for external data (DNI-1) not supported
4) SmartFinder and fast data base search for external data (DNI-1) supported

VideoNetBox eXchange drive

Hybrid Server, 8 Channels, 1080p, 2,5" Removable Hard Disk, Max. 55 W

Specifications

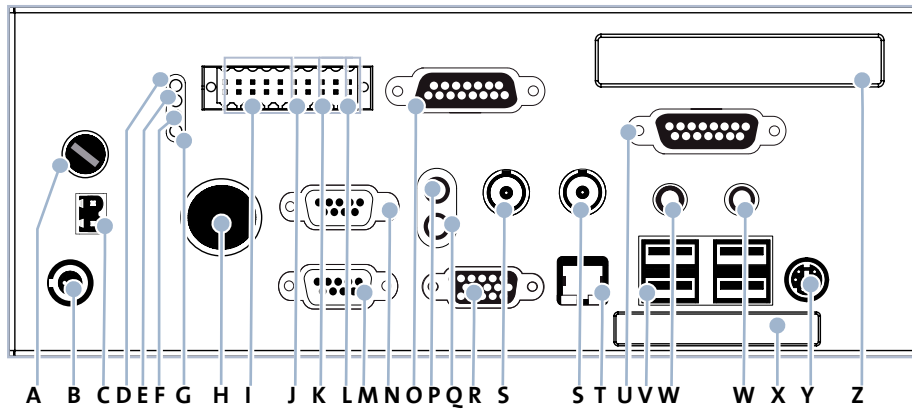
Max. video channels	8× channels (analogue, SD-IP, HD-IP)
Supported cameras	Analogue and IP cameras of Dallmeier and of third-party supplier
Operating mode	Recording, streaming, remote access
	Live display and playback via PView 7 Light, PView 7 or internal video player (optional license)
Recording mode	Permanent, motion, contact, timer, variable recording mode (VRM)
Display resolution	SD (D1, 4CIF, Half D1, 2CIF, CIF, QCIF) via PView 7 Light, PView 7 or internal video player (optional license)
	HD (via PView 7 Light and PView 7 only)
Video compression	H.264, MPEG-4, MJPEG
Audio compression	G.722.1, MPEG-1 Layer 2
Recording resolution	SD, HD (720p, 1080i, 1080p), up to 8 MP
Frame rate per analogue channel	1 to 2 licensed cameras up to 25 fps
at 4 CIF (load-dependent)	3 to 4 licensed cameras up to 12 fps
	5 to 6 licensed cameras up to 12 fps
	7 to 8 licensed cameras up to 12 fps
Frame rate per IP-based channel	6.25 or 12.5 fps
Max. total bit rate	Up to 64 Mbps (48 Mbps for recording)
Bit rate per analogue channel	Up to 2 Mbps
Bit rate IP-based channel (SD)	Up to 4 Mbps
Bit rate IP-based channel (HD)	Up to 6 Mbps
Integrated / optional functions	
Track modes	Automatic
SNMP	Integrated
UTC control	Integrated
Privacy Zones	Integrated (for analogue cameras)
Motion detection	Integrated (for analogue cameras and Dallmeier IP cameras)
SmartFinder	Integrated (for analogue cameras and Dallmeier IP cameras)
Audio for IP based channels	Integrated
Software	
Operating system	Linux (proprietary, hardened)
Application	Dallmeier recorder software
Language application	English, German, French, Spanish, Italian (others on request)
External management software	PView7
External configuration software	NetConfig2
Hardware	
Flash module	1 GB (for operating system only)
Hard disks	1× 2,5" internal HDD 500 GB (included, recording, data base, temp- and log files)
	1× 2,5" HDD in removable tray (optional, parallel recording incl. external data (DNI-1) corresponding to internal HDD)
Max. storage capacity	Currently up to 500 GB
Fan	1× with automatic speed adaptation
Function button	Unmount removable hard disk / shut down
Interfaces	
Video IN	8× CVBS / BNC (via D-SUB adapter)
Video OUT	1× VGA (for configuration only)
Audio IN (cameras)	8× Cinch (via D-SUB adapter)
AUX / Line IN	1× 3.5 mm phone jack
Microphone IN	–
Audio OUT	1× 3.5 mm phone jack
USB	4× USB 2.0
Ethernet	1× RJ45, 10/100/1000Mbps
Ethernet protocols	IPv4, TCP, UDP, ARP, ICMP, DHCP, NTP, HTTP
Contact IN camera	8×, each 4 functions
Contact IN global	4×, each 4 functions
Relay OUT	2×, NC or NOr
Serial	2× RS232
	1× RS485
PS/2	1× mouse and keyboard
Electrical Data	
Voltage supply 1	12V DC ±5%
Power consumption	Max. 55 W
Heat power	Max. 188 BTU/h
Mechanical Data	
Dimensions (W × H × D)	Approx. 230 × 95 × 150 mm (9.0" × 3.6" × 5.9")
Weight	Approx. 4 kg (9 lbs)
Ambient Data	
Temperature	+5°C to +40°C (41°F to 104°F)
Recommended temperature	+20°C to +25°C (68°F to 77°F)
Humidity	5 – 70% RH, non-condensing
Atmospheric load	Dust -free
Approvals and Certifications	CE, DIN EN 50130-4, LGC Forensics

VideoNetBox eXchange drive

Hybrid Server, 8 Channels, 1080p, 2,5" Removable Hard Disk, Max. 55 W

Connections

The number of the connections can differ depending on the ordered equipment or device variant. The following description refers to a device with full equipment and optional connectors.



- | | |
|--|--|
| <p>A Fuse
5 × 20 mm, type T, 3.5 A</p> <p>B Power Supply 12V DC
ODU socket, 2-pole, 12V DC ± 5%</p> <p>C 12V DC OUT
Weidmüller socket, 2-pole, 12V DC ± 5% (3.2 A max.)</p> <p>D Status LED (Power)
Blue / The recorder is in operation.</p> <p>E Status LED (Record)
Green / The recorder is recording.</p> <p>F Status LED (Alarm)
Orange / The recorder is in alarm state.</p> <p>G Status LED (Error)
Red / The recorder indicates an error.</p> <p>H Function Button
Unmount removable hard disk (short push) / Shut down (long push)</p> <p>I Contact IN Cameras (1-8)
8 pins on Weidmüller 20 pins</p> <p>J Contact IN Global (1-4)
4 pins on Weidmüller 20 pins</p> <p>K Relay OUT (1 and 2)
4 pins on Weidmüller 20 pins</p> <p>L Serial Interface
2 pins on Weidmüller 20 pins, RS485 (for Dallmeier PTZ domes only)</p> <p>M Serial Interface COM 1
D-SUB, 9 pins, RS232</p> | <p>N Serial Interface COM 2
D-SUB, 9 pins, RS232</p> <p>O Video IN (1-8)
D-SUB, 15-pole, 75 Ohm, 1 Vpp (for D-SUB/BNC adapter cable)</p> <p>P AUX / Line IN
3.5 mm phone jack, 16 kOhm, 2.828 Vpp (for intercom)</p> <p>Q Audio OUT
3.5 mm phone jack, 1 kOhm, 2.828 Vpp (for intercom)</p> <p>R Video OUT VGA
Mini-D-SUB, 15-pole, VGA, 1024 x 768 (only configuration, no video)</p> <p>S Video OUT CVBS (1-2)
2x BNC, 75 Ohm, 1 Vpp, CVBS (video analogue cameras, no configuration)</p> <p>T Ethernet Interface
RJ45, 10/100/1000 mbps</p> <p>U Audio IN (1-8)
D-SUB, 15-pole, 1 kOhm, 2.828 Vpp (for D-SUB/Cinch adapter cable)</p> <p>V USB Interface
4× USB 2.0, type A</p> <p>W Flash Memory
CF card, type 1</p> <p>X Mouse / Keyboard
PS/2, black (direct connection or via mouse + keyboard adapter)</p> <p>Y Not Active
2× 3.5 mm phone jack</p> <p>Z Removable Hard Disk
2,5" HDD in removable tray</p> |
|--|--|

VideoNetBox eXchange drive

Hybrid Server, 8 Channels, 1080p, 2,5" Removable Hard Disk, Max. 55 W

Dimensions

