

VideoNetBox Bank

Hybrid Server, 8 Channels, 1080p, 2x 2.5" HDD, DGUV Test / UVV Kassen, max. 55W



The **VideoNetBox Bank** is a compact hybrid audio and video server with a recorder software accredited according to DGUV Test / UVV Kassen. Using a license code the basic version with 4 freely configurable video channels (analogue/SD-IP/HD-IP) can be expanded by up to 4 additional freely configurable video channels.

The **VNB Bank** is designed as a stand-alone device for individual mounting on walls. All necessary hardware and software is installed and preconfigured ex factory.

Hybrid Server Up To 8 Channels Recorder Software Bank Compact Design

- Up to 8x freely configurable video channels (analogue/SD-IP/HD-IP)
- Simultaneous real-time recording and streaming, remote access, live display, playback¹⁾
- Video compression H.264, MPEG-4, MJPEG
- Audio compression G.722, MPEG-1 Layer 2
- Resolution SD (up to D1), HD (up to 1080p), megapixel (up to 8MP)
- **Recorder software accredited according to DGUV Test / UVV Kassen**
- Configuration and commissioning with NetConfig2 via Ethernet
- Evaluation via browser software supported
- Evaluation via SMAVIA Viewing Client supported
- Optimised for camera connection via VPI-8
- 12V DC voltage output for camera supply
- Linux operating system on flash memory

Variants	
002963	VideoNetBox Bank Without HDDs, 4x freely configurable video channels (analogue/SD-IP/HD-IP) – Minimum order quantity: 32 units

Options	
003390	HDD 500 GB, 2.5" (Toshiba)²⁾
000977	Wall Mount Bracket for 2x VPI-8 Wall mount bracket for the mounting of two VPI-8
000976	19" Bracket for up to 3x VPI-8 Bracket for the installation of up to three VPI-8
000497	VPI-8 Cabling of analogue cameras (power supply, video signal and RS485 interface) via a CAT cable
000139	DNI-1 Basic Set Basic set for the connection of external equipment (such as ATM, access control, cash register)

Licenses	
000124	DLC - 2 Freely Configurable Channels (VNB) License for 2 additional freely configurable channels (analogue/SD-IP/HD-IP)
000159	DLC - PRemote HD & SEDOR® Camera Sabotage Protection (VNB) License for the transmission of HD video at low bandwidth incl. DLC - SEDOR® Camera Sabotage Protection (VNB)
000016	DLC - SEDOR® Camera Sabotage Protection (VNB) Detection and reporting of covering, defocusing and twisting of analogue cameras
000267	DLC - Audio Recording for All Analogue Channels License for the use of audio recording for all analogue channels
000161	DLC - Recording Monitoring Check whether an external device triggers the recording regularly
002779	DLC - PRemote HD (VNB) License for the transmission of HD video at low bandwidth

1) Live display, playback, and remote access with SeMSy® or SMAVIA Viewing Client via Ethernet

2) Daily prices of hard disks can be found in the Dallmeier Partner Forum.

VideoNetBox Bank

Hybrid Server, 8 Channels, 1080p, 2x 2.5" HDD, DGUV Test / UVV Kassen, max. 55W

Specifications

Max. video channels	8x channels (analogue/ SD-IP/ HD-IP)
Supported cameras	Analogue and IP cameras of Dallmeier and of third-party supplier
Video/audio compression	H.264, MPEG-4, MJPEG / G.722.1, MPEG-1 Layer 2
Operating mode	Recording, streaming, live display, playback, remote access via SMAVIA Viewing Client
Recording resolution	SD, HD (720p, 1080i, 1080p), up to 8 MP
Recording mode	Permanent, motion, contact, timer
Frame rate per analogue channel at 2CIF/DCIF (load-dependent)	1 to 2 licensed cameras up to 25 fps 3 to 4 licensed cameras up to 12 fps 5 to 6 licensed cameras up to 5 fps 7 to 8 licensed cameras up to 3 fps
Frame rate per IP based channel	6.25 fps
Max. total bit rate	Up to 64 Mbps (48 Mbps for recording)
Bit rate per analogue channel	1 to 4 cameras 2 Mbps 5 to 8 cameras 1.5 Mbps
Bit rate per IP based channel (SD)	Up to 4 Mbps
Bit rate per IP based channel (HD)	Up to 6 Mbps

Integrated Functions

Track modes	Standard
SNMP	Integrated
UTC control	Integrated
Privacy Zones	Integrated (for analogue cameras)
Motion detection	Integrated (for analogue cameras and Dallmeier IP cameras)
SmartFinder	Integrated (for analogue cameras and Dallmeier IP cameras)
DCCP - Protocol	Integrated

Software

Operating system	Linux (proprietary, hardened)
Application	Dallmeier recorder software
Language application	English, German, French, Spanish, Italian (others on request)
External management software	SMAVIA Viewing Client
External configuration software	NetConfig2

Hardware

Flash module	1 GB (for operating system only)
Hard disks	Max. 2x 2,5" HDD (optional)
Max. storage capacity	Currently up to 1 TB
Fan	1x with automatic speed adaptation

Interfaces

Video IN	8x CVBS / BNC, 75 Ohm, with loop-through
Video OUT	1x VGA (for configuration only)
Audio IN (cameras)	8x Cinch (via D-SUB/Cinch adapter)
AUX / Line IN	1x 3.5 mm phone jack
Microphone IN	-
Audio OUT	1x 3.5 mm phone jack
USB	4x USB 2.0
Ethernet	1x RJ45, 10/100/1000 Mbps
Ethernet protocols	IPv4, TCP, UDP, ARP, ICMP, DHCP, NTP, HTTP
Contact IN camera	8x, each 4 functions
Contact IN global	4x, each 4 functions
Relay OUT	2x, as NO or NC
Serial	2x RS232
Parallel	1x RS485
PS/2	1x mouse and keyboard

Electrical Data

Voltage supply	12V DC ±5%
Power consumption	Max. 55 W
Thermal output	Max. 188 BTU/h

Mechanical Data

Dimensions (W x H x D)	Approx. 230 x 95 x 150 mm (9.0" x 3.6" x 5.9")
Weight	Approx. 4 kg (9 lbs)

Ambient Data

Temperature	+5°C up to +40°C (41°F - 104°F)
Recommended temperature	+20°C up to +25°C (68°F - 77°F)
Humidity	5 - 70% RH, non-condensing
Atmospheric load	Dust-free

Approvals and Certifications

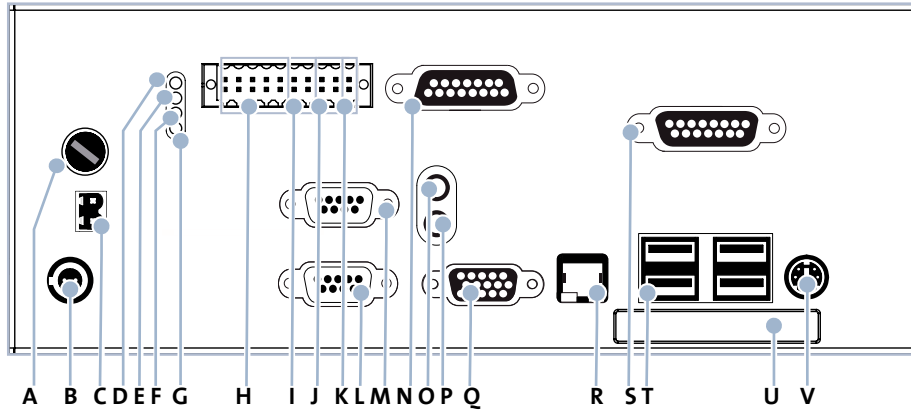
CE, DIN EN 50130-4, DGUV Test / UVV-Kassen, LGC Forensics

VideoNetBox Bank

Hybrid Server, 8 Channels, 1080p, 2x 2.5" HDD, DGUV Test / UVV Kassen, max. 55W

Connections

The number of the connections can differ depending on the ordered equipment or device variant. The following description refers to a device with full equipment and optional connectors.



A Fuse

5 × 20 mm, type T, 3.5 A

B Power Supply 12V DC

ODU socket, 2-pole, 12V DC ± 5%

C 12V DC OUT

Weidmüller socket, 2-pole, 12V DC ± 5% (3.2 A max.)

D Status LED (Power)

Blue / The recorder is in operation.

E Status LED (Record)

Green / The recorder is recording.

F Status LED (Alarm)

Orange / The recorder is in alarm state.

G Status LED (Error)

Red / The recorder indicates an error.

H Contact IN Cameras (1-8)

8 pins on Weidmüller 20 pins

I Contact IN Global (1-4)

4 Pins on Weidmüller 20 Pins

J Relais OUT (1 and 2)

4 pins on Weidmüller 20 pins

K Serial Interface

2 pins on Weidmüller 20 pins, RS485 (for Dallmeier PTZ domes only)

L Serial Interface COM 1

D-SUB, 9 pins, RS232

M Serial Interface COM 2

D-SUB, 9 pins, RS232

N Video IN (1-8)

D-SUB, 15-pole, 75 Ohm, 1 Vpp (for D-SUB/BNC adapter cable)

O AUX / Line IN

3.5 mm phone jack, 16 kOhm, 2.828 Vpp (for intercom)

P Audio OUT

3.5 mm phone jack, 1 kOhm, 2.828 Vpp (for intercom)

Q Video OUT VGA

Mini-D-SUB, 15-pole, VGA, 1024 x 768 (only configuration, no video)

R Ethernet Interface

RJ45, 10/100/1000 mbps

S Audio IN (1-8)

D-SUB, 15-pole, 1 kOhm, 2.828 Vpp (for D-SUB/Cinch adapter cable)

T USB Interface

4× USB 2.0, type A

U Flash Memory

CF card, type 1

V Mouse / Keyboard

PS/2, black (direct connection or via mouse + keyboard adapter)

VideoNetBox Bank

Hybrid Server, 8 Channels, 1080p, 2x 2.5" HDD, DGUV Test / UVV Kassen, max. 55W

Dimensions

