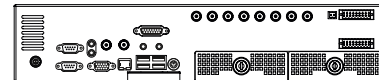


DLS 8 / DLS 8 Plus

H.264 Recorder, 8 Analogue Channels, 12 fps at CIF/4CIF, max. 2× 3.5" HDD, 2 HU



The **DLS 8** is a H.264 audio and video recorder with up to 8 analogue channels. The variant **DLS 8 Plus** is optimised for recordings with a high frame rate at a high resolution.

The **DLS 8 / DLS 8 Plus** is a stand-alone device and can be installed and operated in a 19" rack using the included 19" bracket.

- Up to 8 analogue video channels
- Simultaneous real-time recording, real-time streaming, remote access, live display, playback
- Video compression H.264
- Audio compression G.722.1
- DLS 8 bit rate up to 1.5 Mbps
- DLS 8 Plus bit rate up to 2 Mbps
- DLS 8 frame rate per channel up to 12 fps at CIF
- DLS 8 Plus frame rate per channel up to 12 fps at 4CIF
- Resolution up to 4CIF
- Evaluation with SeMSy® or PView 7 via Ethernet
- Integrated management software PView 7 Light
- Integrated SmartFinder, Privacy Zones and motion detection
- Integrated UTC compatibility
- Exchangeable hard disks: up to 2× 3.5" HDDs (optional)
- Easy-Change functionality in case of HDD failure
- Linux operating system on Flash memory
- DIN EN 50130-4 compliant

Variants	
000071	DLS 8 Without HDDs, 8 analogue video channels, 12 fps at CIF, max. 2× 3.5" HDD, 2 HU
000072	DLS 8 Plus Without HDDs, 8 analogue video channels, 12 fps at 4CIF, max. 2× 3.5" HDD, 2 HU

Options	
000107	HDD 500 GB, SATA, 3.5"
000077	HDD 1000 GB, SATA, 3.5"
000084	HDD 2000 GB, SATA, 3.5"
000005	19" Bracket (DLS, VNS) Bracket for a 2 HU single device
000139	DNI-1 Basic Set Basic set (2× DNI-1) for connection of external systems
000181	TA-24 MS Multiscreen Keyboard Keyboard for operating CVBS monitors including CVBS split switching
000283	RAID 1 RAID 1 for devices with 2× HDDs of the same capacity (only ex factory)
000310	DFM-1 USB Radio clock unit, USB
000497	VPI-8 Cabling of analogue cameras (power supply, video signal and RS485 interface) via a CAT cable
001717	VSC-1 Video System Controller for controlling of PTZ dome cameras at DMS and DLS recorders
002022	DVD-RW Drive (DLS) DLS4/8/16 DVD-RW burner TEAC DV-W516GD, black

Licenses	
000162	DLC - Day/Night Remote Switching Day/Night switching of analogue Dallmeier cameras via Contact IN/Coax
000267	DLC - Audio Recording For All Analogue Channels License for the use of audio recording for all analogue channels
000271	DLC - VoiceTalk Licence for the use of the bidirectional audio transmission (intercom)
002780	DLC - PRemote HD (DMS, DMX, DLS, DVS) License for the transmission of SD and HD video at low bandwidth

DLS 8 / DLS 8 Plus

H.264 Recorder, 8 Analogue Channels, 12 fps at CIF/4CIF, max. 2× 3.5" HDD, 2 HU

Specifications

Video channels	8× analogue video channels	
Video norm	PAL / NTSC	
Supported cameras	Analogue cameras of Dallmeier and of third-party suppliers	
Operating mode	Recording, streaming, live display, playback, remote access via PView7 Light and PView7	
Recording mode	Permanent, motion, contact, timer, variable recording mode (VRM)	
Video compression	H.264	
Audio compression	G.722.1	
Recording resolution	4CIF, DCIF, 2CIF, CIF, QCIF	
Frame rate per analogue channel	DLS 8 Up to 3 fps at 4CIF Up to 4 fps at DCIF Up to 5 fps at 2CIF Up to 12 fps at CIF Up to 25 fps at QCIF	DLS 8 Plus Up to 12 fps at 4CIF Up to 12 fps at DCIF Up to 16 fps at 2CIF Up to 25 fps at CIF Up to 25 fps at QCIF
Bit rate per analogue channel	Up to 1.5 Mbps	Up to 2 Mbps
Display resolution (local)	4CIF, DCIF, 2CIF, CIF, QCIF	
Split display (local)	1, 4, 9	

Integrated Function

Track mode	Standard, automatic, manual
SNMP	Integrated
UTC control	Integrated
Privacy Zones	Integrated
Motion detection	Integrated
SmartFinder	Integrated
iPhone Server	Integrated (PRemote required)

Software

Operating system	Linux (proprietary, hardened)
Application	Dallmeier recorder software
Application language	English, German, French, Spanish, Italian (others on request)
External management software	PView7, SeMSy® III
External configuration software	NetConfig2

Hardware

Flash module	1 GB (for operating system only)
Hard disks	Max. 2× 3.5" HDD (optional)
Max. storage capacity	Currently up to 4 TB
Drive	DVD-RW (optional)
Fan	2× with automatic speed adaptation

Interfaces

Camera inputs	8× CVBS / BNC, 75 Ohm, with loop-through
Video outputs	1× VGA 2× BNC / CVBS
Audio inputs (cameras)	8× Cinch (via D-SUB/Cinch adapter)
AUX / Line IN	1× 3.5 mm phone jack
Microphone IN	–
Audio outputs	1× 3.5 mm phone jack
USB	5× USB 2.0
Ethernet	1× RJ45, 10/100/1000 Mbps
Ethernet protocols	IPv4, TCP, UDP, ARP, ICMP, DHCP, NTP, HTTP
Contact IN camera	8×, each 4 functions
Contact IN global	6×, each 4 functions
Relay OUT	5×, as NO or NC
Serial / PS/2	2× RS232 / mouse, keyboard

Electrical Data

Voltage supply	12 V DC ±5%
Power consumption	Max. 70 W
Thermal output	Max. 239 BTU/h

Mechanical Data

Dimensions (W × H × D)	Approx. 425 × 88 × 384 mm (approx. 16.73 × 3.5 × 15.12 inches)
Weight	Approx. 10 kg with 2 HDDs (approx. 22.05 lb with 2 HDDs)

Ambient Data

Temperature	+5°C up to +40°C (41°F – 104°F)
Recommended temperature	+20°C up to +25°C (68°F – 77°F)
Humidity	5 – 70% RH, non-condensing
Atmospheric load	Dust-free

Approvals and Certifications

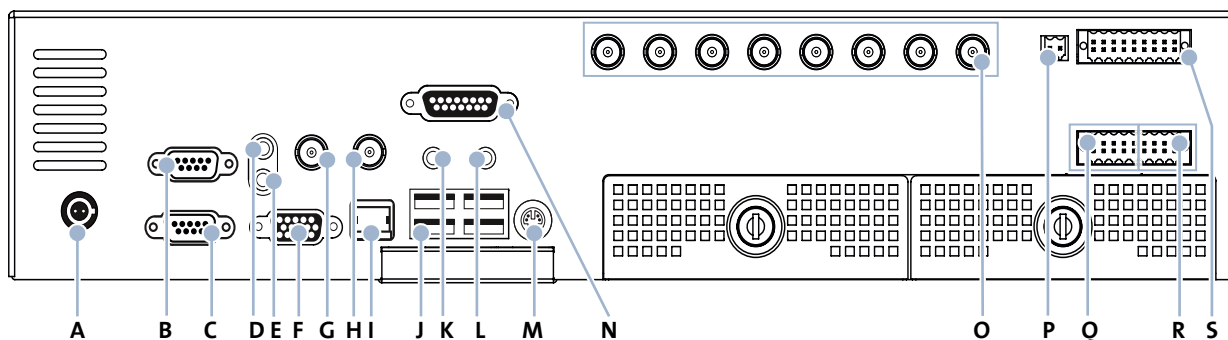
CE, FCC, UL, ACA, CB, DIN EN 50130-4, LGC Forensics

DLS 8 / DLS 8 Plus

H.264 Recorder, 8 Analogue Channels, 12 fps at CIF/4CIF, max. 2x 3.5" HDD, 2 HU

Connections

The number of the connections can differ depending on the ordered equipment or device variant. The following description refers to a device with full equipment and optional connectors.



A Power Supply 12V DC

ODU socket, 2-pole, 12V DC $\pm 5\%$

B Serial Interface COM 2

D-SUB, 9 pins, RS232

C Serial Interface COM 1

D-SUB, 9 pins, RS232

D AUX / Line IN

3.5 mm phone jack, 16 kOhm, 2.828 Vpp (for intercom)

E Audio OUT

3.5 mm phone jack, 1 kOhm, 2.828 Vpp (for intercom)

F Video OUT VGA

Mini-D-SUB, 15-pole, VGA, 1024 x 768 (video and configuration)

G Video OUT 1

BNC, 75 Ohm, 1 Vpp, CVBS (only video, no configuration)

H Video OUT 2

BNC, 75 Ohm, 1 Vpp, CVBS (only video, no configuration)

I Ethernet Interface

RJ45, 10/100/1000 Mbps

J USB Interface

4x USB 2.0, type A

K Not Active

3.5 mm phone jack

L Not Active

3.5 mm phone jack

M Mouse / Keyboard

PS/2 (for mouse / keyboard adapter)

N Audio IN (1-8)

D-SUB, 15-pole, 1 kOhm, 2.828 Vpp (for D-SUB/Cinch adapter cable)

O Video IN (1-8)

BNC, 75 Ohm, 1 Vpp, with loop-through, CVBS

P Serial Interface

Weidmüller, 2 pins, RS485 (only for Dallmeier PTZ dome cameras)

Q Relay OUT (1-5)

11 pins on Weidmüller 18 pins

R Contact IN Global (1-6)

7 pins on Weidmüller 18 pins

S Contact IN Cameras (1-8)

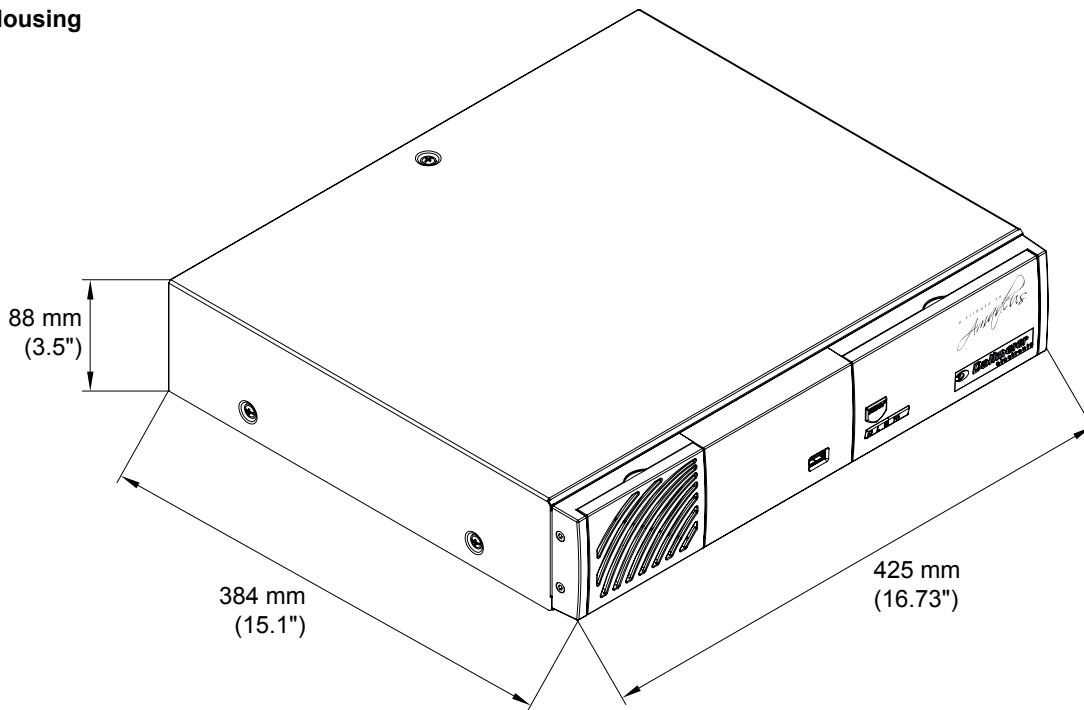
8 pins on Weidmüller 18 pins

DLS 8 / DLS 8 Plus

H.264 Recorder, 8 Analogue Channels, 12 fps at CIF/4CIF, max. 2x 3.5" HDD, 2 HU

Dimensions

Housing



19" Bracket

