

# DDF4910HDV

IP Network Dome Camera, Vandal-resistant, 5-Megapixel, Full High-Definition, 1080p/30, PoE



The **DDF4910HDV** is a **5-megapixel High-Definition** IP network dome camera with **Dallmeier Cam\_inPIX®** technology built into a vandal-resistant enclosure. The camera provides **real-time Full HD video (1080p/30)** using the **H.264** codec that is currently the most sophisticated standard for high-efficiency video compression.

Besides a comprehensive set of automatic and manual image optimization functions, the camera features many other setting options, especially useful for demanding surveillance applications.

According to requirements, the camera can be supplied conventionally with 12V DC or conveniently operated via **Power over Ethernet (PoE Class 0, IEEE 802.3af)** which allows for an easy, quick and cost-effective installation.

## Features

- 1/2.5" 5-megapixel CMOS image sensor with Cam\_inPIX® technology
- Pure Digital Signal Processing
- Real-time Full HD video (1080p/30)
- High light sensitivity of 0.59 lux (at F0.95, 50 IRE)
- Resolution: SD (up to D1), HD (720p, 1080p, 2MP, 3MP, 5MP)
- Video compression: H.264, MJPEG
- Frame rate up to 30 fps
- Simultaneous Dual- or Tri-Streaming
- Automatic White Balance (AWB)
- Automatic Gain Control (AGC)
- Automatic Electronic Shutter (AES)
- Comprehensive set of image optimization functions like brightness, contrast, saturation and sharpness
- 3D Digital Noise Reduction (3D DNR)
- Three different exposure metering modes:
  - Average metering (light information from entire scene),
  - Centre-weighted average metering and Spot metering
- Privacy Zone Masking (hiding/masking of protected areas)
- Flip function<sup>1)</sup>
- Digital Image Shift<sup>2)</sup>
- Motion detection<sup>3)</sup> with selectable sensitivity
- Alarm notification<sup>3)</sup> via DaVid protocol, e-mail and FTP image upload
- Local video memory: SDHC card slot integrated<sup>3)</sup>
- Hybrid IP camera with analogue preview output
- Microphone input
- Voltage supply with 12V DC or via PoE (Class 0, IEEE 802.3af)
- Low power consumption (max. 4.5W)
- 3-axis adjustment
- Two available mounting variants:
  - in-ceiling mount (IM) or surface mount (SM)
- Available with different lens types
- Compact vandal-resistant housing
- IP67 (surface mount variant)
- ONVIF compliant
- DIN EN 50130-4 compliant

## Variants

<b>003206.403</b>	<b>DDF4910HDV-IM</b> IP network dome camera, vandal-resistant, 5-megapixel, Full HD, 1080p/30, PoE, in-ceiling mount variant, F1.8 / 1.8–3 mm
<b>003207.403</b>	<b>DDF4910HDV-SM</b> IP network dome camera, vandal-resistant, 5-megapixel, Full HD, 1080p/30, PoE, surface mount variant, F1.8 / 1.8–3 mm
<b>003206.404</b>	<b>DDF4910HDV-IM</b> IP network dome camera, vandal-resistant, 5-megapixel, Full HD, 1080p/30, PoE, in-ceiling mount variant, F1.5 / 9–40 mm
<b>003207.404</b>	<b>DDF4910HDV-SM</b> IP network dome camera, vandal-resistant, 5-megapixel, Full HD, 1080p/30, PoE, surface mount variant, F1.5 / 9–40 mm
<b>003206.405</b>	<b>DDF4910HDV-IM</b> IP network dome camera, vandal-resistant, 5-megapixel, Full HD, 1080p/30, PoE, in-ceiling mount variant, F1.8 / 3.9–10 mm
<b>003207.405</b>	<b>DDF4910HDV-SM</b> IP network dome camera, vandal-resistant, 5-megapixel, Full HD, 1080p/30, PoE, surface mount variant, F1.8 / 3.9–10 mm

## Options

<b>000428</b>	<b>Design Colours IM Cover Ring</b> Cover ring for in-ceiling mount variant according to RAL or Pantone colour chart
<b>001044</b>	<b>Tinted Bubble</b> For in-ceiling and surface mount variant, 4.5"
<b>001431</b>	<b>EvC-1</b> High-Speed Ethernet data transmission via coaxial cable
<b>001678</b>	<b>Power Supply Unit (110–240 V AC -&gt; 12 V DC)</b> Universal power supply, 110–240V AC to 12V DC, 850 mA, plug adapter EU/UK/US/AUS

1) Availability depending on set resolution and frame rate  
 2) Provides digital fine alignment of image section (only applicable at resolutions less than 5MP)  
 3) Function is in preparation.

# DDF4910HDV

IP Network Dome Camera, Vandal-resistant, 5-Megapixel, Full High-Definition, 1080p/30, PoE

## Specifications

<b>Sensor</b>	
Type	1/2.5" 5-megapixel CMOS image sensor with Cam_inPIX® technology
Signal processing	Pure Digital Signal Processing
Image capture	Progressive Scan
Minimum illumination	0.59lux (F0.95, 50 IRE)
Dynamic Range	Max. 70 dB <sup>4)</sup>
<b>Functions</b>	
Automatic Electronic Shutter (AES)	1/30–1/2500 s (Auto Slow Shutter extends maximum exposure time to 1/5 s with AE Preset "Low light")
3D Digital Noise Reduction (3D DNR)	On/Off
Automatic Exposure (AE) Presets	Outdoor, Indoor, Low light
Exposure metering mode	Average metering (light information from entire scene), Centre-weighted average metering, Spot metering
Brightness adjustment	Automatic (ALC)/Manual
Gain control	Automatic (AGC)
White balance	AWB (Automatic White Balance)
Privacy Zone Masking	Yes (max. 10% of entire image)
Flip function <sup>5)</sup>	Horizontal, Vertical
Digital Image Shift <sup>6)</sup>	Yes
Motion detection <sup>7)</sup> (VMD)	With selectable sensitivity (5 levels)
Alarm notification <sup>7)</sup>	Via DaVid protocol (Dallmeier Video Protocol) to PGuard advance, e-mail, FTP image upload
Configuration	Via web browser
Languages	English, German, French, Spanish, Italian
<b>Lens</b>	
Mount	CS-mount
Auto iris control	Compatible with DC drive auto iris lenses
Type	<i>Specifications and available angles of view depending on variant (see "Lens Types" on page 3)</i>
<b>Format and Encoding</b>	
Video standard	SDTV (PAL/NTSC), HDTV (SMPTE 296M, SMPTE 274M)
Resolution	SD (up to D1), HD (720p, 1080p, 2MP, 3MP, 5MP)
Video compression	H.264, MJPEG
Audio compression	G.711
Frame rate	Up to 30 fps at D1 Up to 30 fps at 720p Up to 30 fps at 1080p Up to 30 fps at 2MP Up to 15 fps at 3MP Up to 10 fps at 5MP
Video bit rate	0.25–8 Mbps, CBR (constant bit rate) or VBR (variable bit rate)
Audio bit rate	64 kbps
Video streaming	Simultaneous Dual- or Tri-Streaming: H.264, MJPEG
Transfer format	Progressive (full image)
Live streaming transmission method	Unicast, Multicast
<b>Miscellaneous</b>	
Video output	1× BNC (CVBS, analogue SD video preview output, for local installation only)
Audio OUT (Mono) / Microphone IN (Mono)	1× 3.5 mm phone jack (for stereo plug) Mic IN: max. 63 mV (RMS), input resistance 10 kOhm, internal gain 20 dB
Local video memory	SDHC card slot integrated <sup>7)</sup>
Ethernet	1× RJ45, 10BASE-T-/100BASE-TX-PoE
Ethernet protocols	IPv4, TCP, UDP, ARP, ICMP, DHCP, NTP, HTTP, RTSP, IGMP V2, FTP <sup>7)</sup> , SMTP <sup>7)</sup> , RTP, RTCP
<b>Electrical Data</b>	
Voltage supply	12V DC ±10%, PoE (Class 0)
PoE standard	IEEE 802.3af
Power consumption	Max. 4.5W
<b>Mechanical Data</b>	
Dimensions	In-ceiling mount variant: approx. Ø 170 × H 135 mm (Ø 6.7 × H 5.3 inches) Surface mount variant: approx. Ø 153 × H 135 mm (Ø 6.0 × H 5.3 inches)
Weight	In-ceiling mount variant: approx. 1200 g (2.6 lb) Surface mount variant: approx. 1100 g (2.4 lb)
Adjustment	3-axis
Colour	White (standard variant)
Bubble	Clear (with black inner liner for discrete surveillance)
<b>Environmental Conditions</b>	
Operating temperature	In-ceiling mount variant (indoor): 0°C to +35°C (32°F to 95°F) Surface mount variant (in- and outdoor): -10°C to +40°C (14°F to 104°F)
Relative humidity	0% – 90% RH, non-condensing
IP rating	IP67 (surface mount variant)
<b>Approvals/Certifications</b>	
Type	CE, UVV-Kassen, DIN EN 50130-4 compliant

4) According to the sensor manufacturer's specifications

5) Availability depending on set resolution and frame rate

6) Provides digital fine alignment of image section (only applicable at resolutions less than 5MP)

7) Function is in preparation.

# DDF4910HDV

IP Network Dome Camera, Vandal-resistant, 5-Megapixel, Full High-Definition, 1080p/30, PoE

## Lens Types

Lens F1.8 / 3.9–10 mm	
Type	3-Megapixel varifocal lens
Format	1/2"
Mount	CS-mount
Focal length	3.9–10 mm
Iris range	F1.8–360
Iris control	DC auto iris
Zoom	Manual
Focus	Manual
MOD (Minimum Object Distance)	0.3 m
IR corrected	Yes
Available angles of view <sup>8)</sup> (H × V) at wide end	approx. 62° × 44° at D1 NTSC approx. 62° × 52° at D1 PAL approx. 71° × 44° at 720p approx. 56° × 33° at 1080p approx. 48° × 37° at 2MP approx. 60° × 46° at 3MP approx. 72° × 57° at 5MP
Available angles of view <sup>8)</sup> (H × V) at tele end	approx. 26° × 18° at D1 NTSC approx. 26° × 21° at D1 PAL approx. 31° × 18° at 720p approx. 23° × 13° at 1080p approx. 20° × 15° at 2MP approx. 25° × 19° at 3MP approx. 31° × 24° at 5MP

Telephoto Lens F1.5 / 9–40 mm	
Type	5-Megapixel varifocal lens
Format	1/2.5"
Mount	CS-mount
Focal length	9–40 mm
Iris range	F1.5–Closed
Iris control	DC auto iris
Zoom	Manual
Focus	Manual
MOD (Minimum Object Distance)	2.0 m
IR corrected	Yes
Available angles of view <sup>8)</sup> (H × V) at wide end	approx. 29° × 20° at D1 NTSC approx. 29° × 23° at D1 PAL approx. 34° × 20° at 720p approx. 26° × 15° at 1080p approx. 22° × 16° at 2MP approx. 28° × 21° at 3MP approx. 35° × 26° at 5MP
Available angles of view <sup>8)</sup> (H × V) at tele end	approx. 6° × 4° at D1 NTSC approx. 6° × 5° at D1 PAL approx. 8° × 4° at 720p approx. 6° × 3° at 1080p approx. 5° × 3° at 2MP approx. 6° × 4° at 3MP approx. 8° × 6° at 5MP

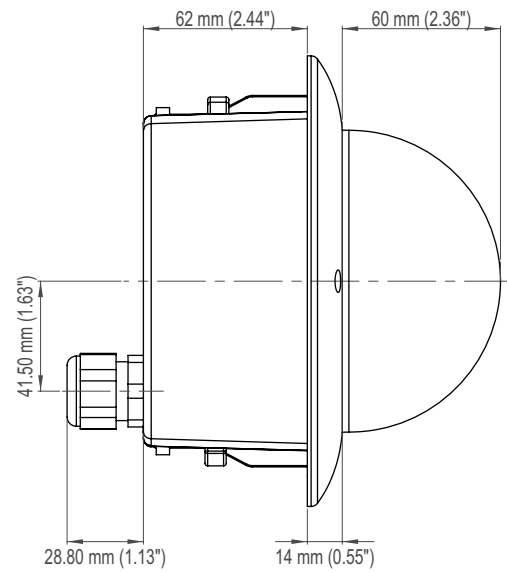
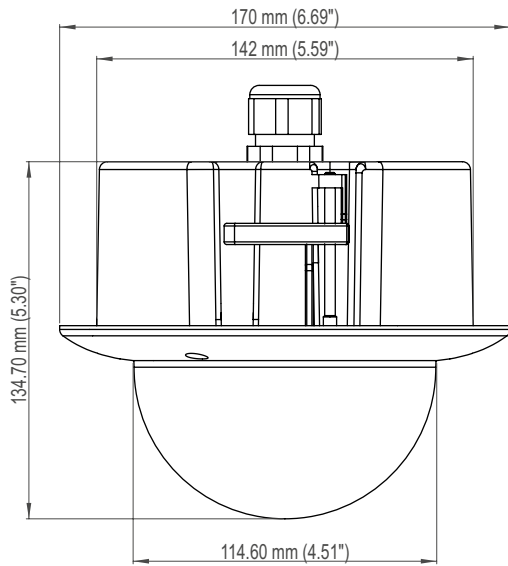
Ultra Wide-Angle Lens F1.8 / 1.8–3 mm	
Type	5-Megapixel varifocal lens
Format	1/2.5"
Mount	CS-mount
Focal length	1.8–3 mm
Iris range	F1.8–Closed
Iris control	DC auto iris
Zoom	Manual
Focus	Manual
MOD (Minimum Object Distance)	0.5 m
IR corrected	Yes
Available angles of view <sup>8)</sup> (H × V) at wide end	approx. 105° × 82° at D1 NTSC approx. 105° × 93° at D1 PAL approx. 114° × 82° at 720p approx. 99° × 66° at 1080p approx. 88° × 72° at 2MP approx. 102° × 86° at 3MP approx. 115° × 99° at 5MP
Available angles of view <sup>8)</sup> (H × V) at tele end	approx. 76° × 55° at D1 NTSC approx. 76° × 64° at D1 PAL approx. 86° × 55° at 720p approx. 70° × 43° at 1080p approx. 60° × 47° at 2MP approx. 73° × 58° at 3MP approx. 87° × 71° at 5MP

8) All specifications ±5%. Minor deviations with lenses can be conditional of manufacturing and do not constitute a defect.

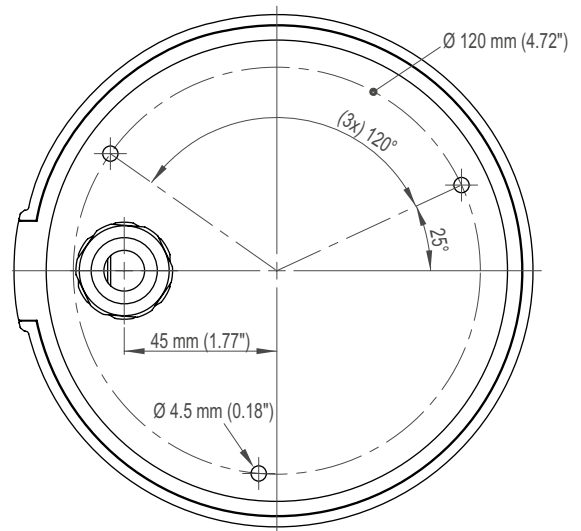
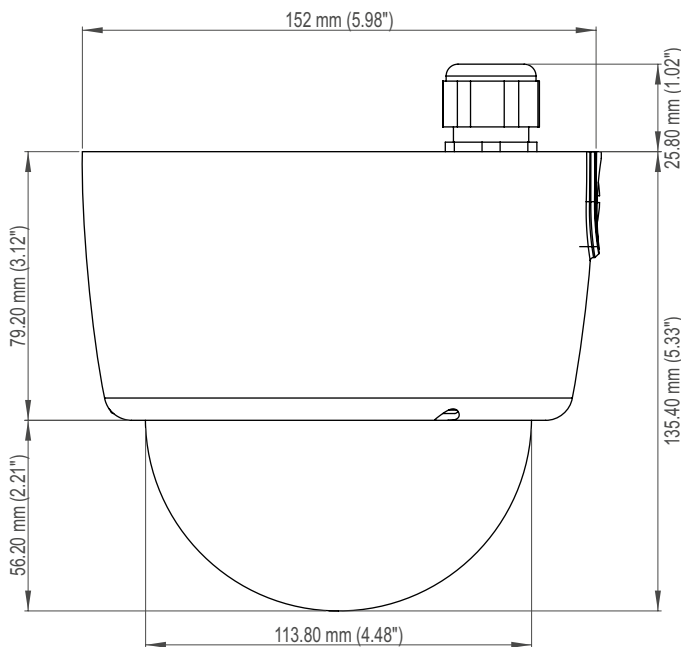
# DDF4910HDV

IP Network Dome Camera, Vandal-resistant, 5-Megapixel, Full High-Definition, 1080p/30, PoE

## Dimensions



In-ceiling mount variant



Surface mount variant