

DLD-M600 surveillance thermal camera

1. Product image



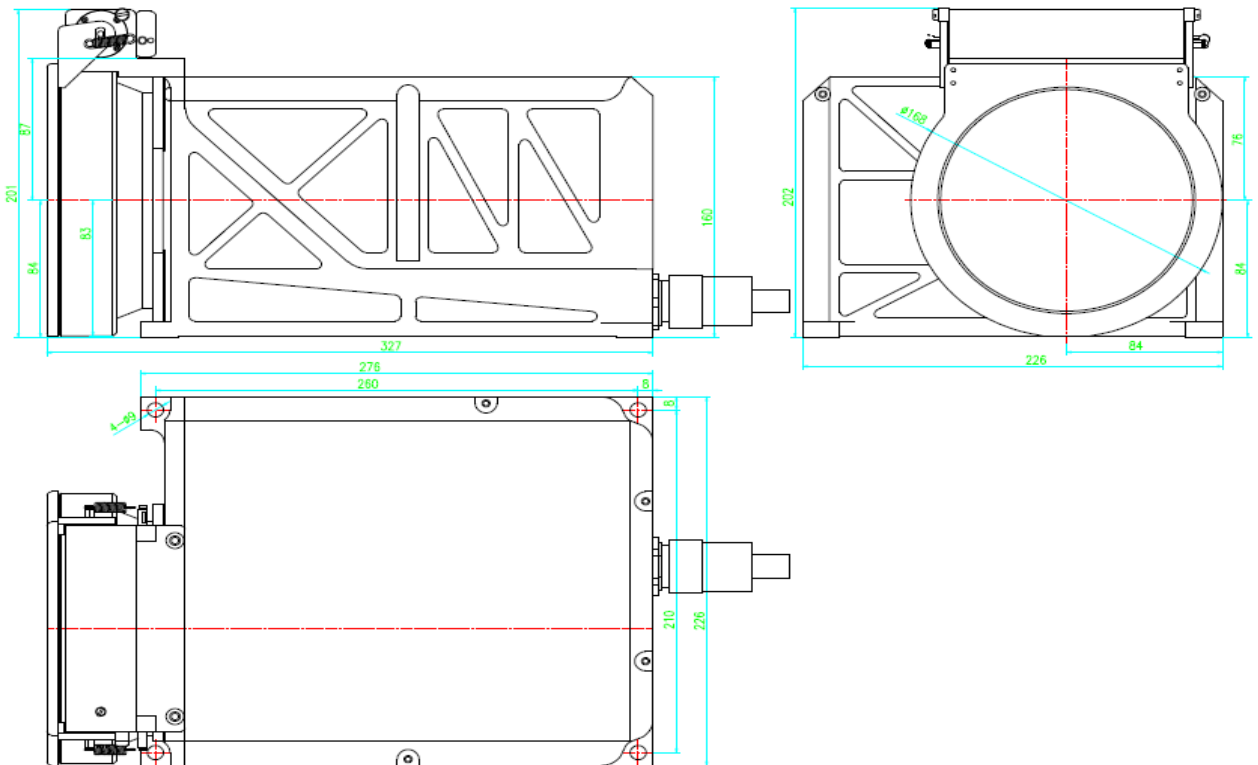
2. Features

- 600mm focal length, ultra long-range observation distance
- 15KM vehicle/30KM medium vessel security detection
- Triple FOV, meets the different requirement of detection ,recognition, identification
- FOV switch time <1S
- Digital Detail Enhancement
- Multiple user defined auto mode, meets different targets observation requirement in different environment.
- RS422 remote control
- Rugged housing, compact structure, high protection encapsulation (IP67)

3. Application

Suitable for border, maritime, ports and islands where require day and night security surveillance

4. Size



5. Specifications

Item		Specification	
Detector	Detector type	HgTeCd Cooled FPA detector	
	Array size/format	320x256	640x512
	Pixel pitch	30μm	15μm
Image characteristics	Field of view(FOV)	WFOV: 11°x8.8° MFOV: 2.2°x1.76° NFOV: 0.92°x0.73°	
	Focal length	50/250/600mm	
	Spatial resolution	WFOV:0.6mrad MFOV 0.12mrad NFOV 0.05mrad	
	FOV switch time	≤1s	
	NETD	≤35mk@30°C, F4	
	Frame frequency	50Hz	
	Focus	Auto/Electrical manual focus	
	Spectral range	3.7~4.8μm	
Thermal operation	Starting time	<8min (In normal temperature 25 degrees)	
	Brightness/gain	manual brightness/gain adjustment; auto brightness/gain	

	adjustment	adjustment
	auto brightness/gain configuration adjustment	2 fix pattern, 8 user defined setting pattern
	Polarity reversal	Black hot/White hot
	Zoom	2x
	Noise reduction	Yes
	DDE	Yes
	Calibration	Automatic and manual calibration
	Crosshair	Display/Hidden
Power system	External power supply	24±3V DC
	Power consumption	<14W (In normal temperature 25°C normal work)
Environment	Operating temperature	-40°C~ +55°C
	Storage temperature	-45°C~+65°C
	Encapsulation	IP67
Physical Characteristics	Weight	≤7Kg
	Dimension	320mm×226mm×168mm
Interface	Power interface	Yes
	Video output	PAL
	Communication protocol	PELCO-D/P , DALI
	Remote Control	RS485