

DH-PFC610-8D

Rack Mount Tray



Features

- Material: SPCC
- High compatibility for standard storage device
- 19" standard rack mount tray

Technical Specification

Model DH-PFC610-8D

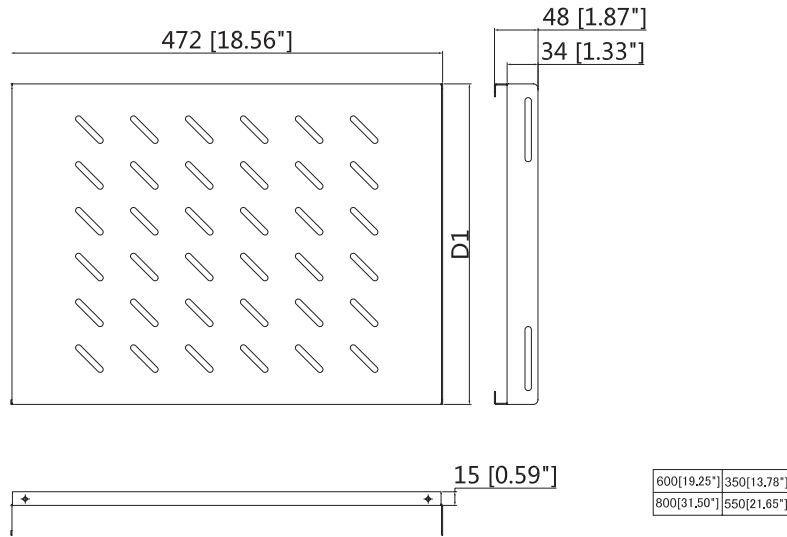
General

Material	SPCC
Dimension(WxDxH)	472mmx550mmx48mm (18.56"x21.65"x1.87")
Weight	2.8kg(6.17lb)
Load Bearing	40kg(88.18lb)
Color	Black
Operating Temperature	-40 C ~+60 C (-40 F ~+140 F)
Humidity	<90% RH
Applicable Model	DH-PFC200D Series

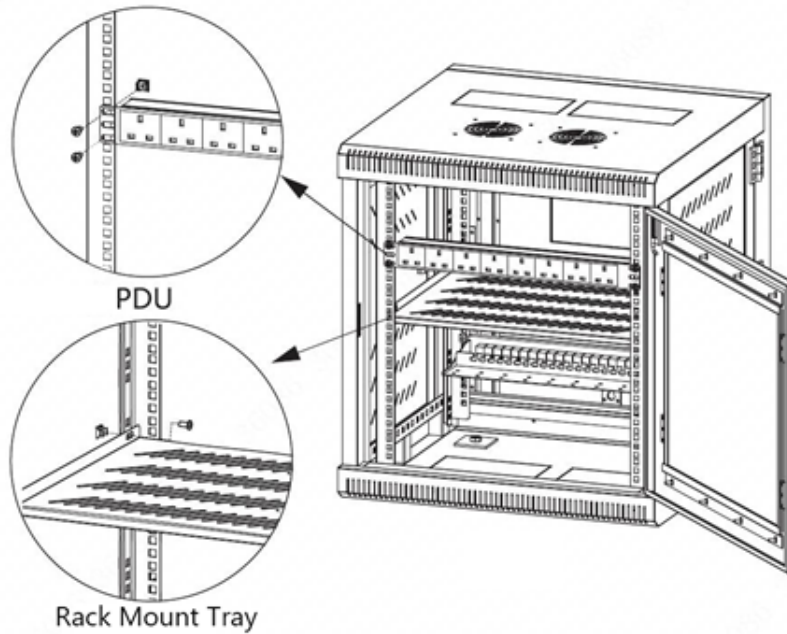
Ordering Information

Type	Part Number	Description
Cabinet	DH-PFC200D-6U4D	19" 6U rock cabinet, depth 450mm, load bearing 40kg, support wall & plane mount
	DH-PFC200D-9U4D	19" 9U rock cabinet, depth 450mm, load bearing 40kg, support wall & plane mount
	DH-PFC200D-12U4D	19" 12U rock cabinet, depth 450mm, load bearing 40kg, support wall & plane mount
	DH-PFC200D-18U6D	19" 18U rock cabinet, depth 600mm, load bearing 300kg, support wall & plane mount
	DH-PFC200D-42U8D	19" 42U rock cabinet, depth 800mm, load bearing 300kg, support wall & plane mount
Tray	DH-PFC610-4D	19" rackmount tray
	DH-PFC610-6D	19" rackmount tray
	DH-PFC610-8D	19" rackmount tray
PDU	ZZM10/PDU (8 European 250)	8 Outlet rackmount PDU power strip, max. AC250V rated input, 16A/max. 4000W output, European
	ZZM10/PDU (8 British 250)	8 Outlet rackmount PDU power strip, max. AC250V rated input, 13A/max. 3250W output, British
	ZZM10/PDU(8 USA 250)	8 Outlet rackmount PDU power strip, max. AC250V rated input, 10A/max. 2500W output, North American plug input/ universal output
Fan	AA1252MB-AT	Rackmount cooling fan, AC220V input, 2200~2300 RPM
	AA1251MB-AT	Rackmount cooling fan, AC110V input, 2200~2300 RPM
Caster wheel	PFC650B-60	Caster wheel, steel&PU, each load bearing 60kg

Dimension(mm/inch)



Application



Package Information

- 19" standard rack mount tray *1