






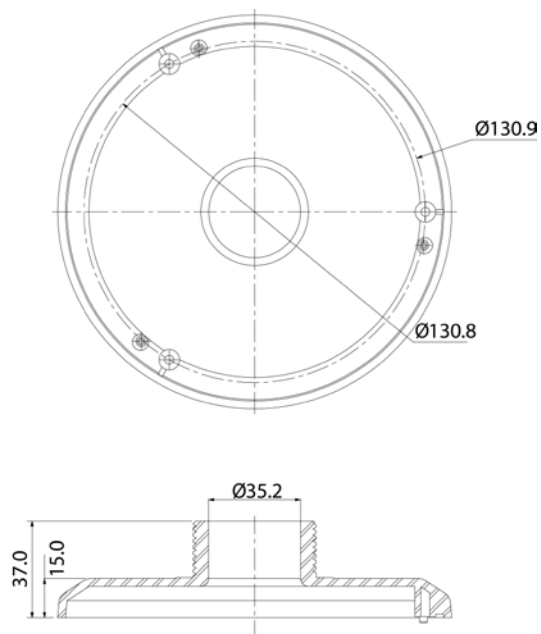
PTZ/Dome Mounting Bracket

Hanging Mount / Wall Mount / Mount Base

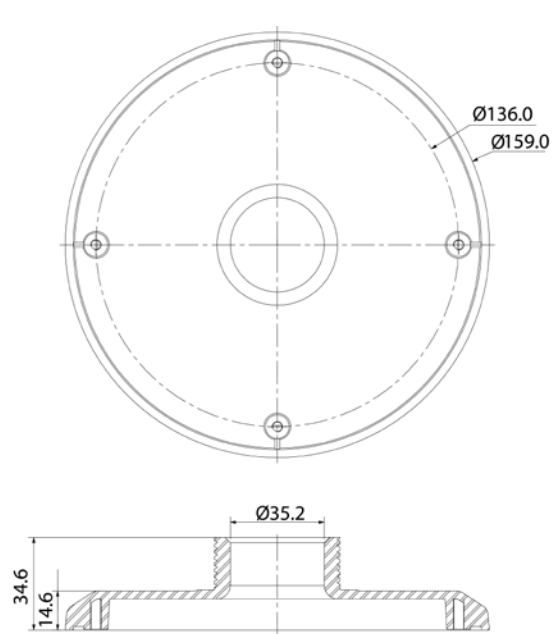
Technical Specifications

	Hanging Mount			Wall Mount	Mount Base
Model	PFA100	PFA101	PFA102	PFB300S	PFA120
					
Applicable Model	IPC-HDB/H DBW3202	SD3282D-GN	SD4223-H	PFA100/101/ 120	PFB300S
Material	Aluminum				
Color	White				
Weight	0.2Kg	0.23Kg	0.25Kg	0.5Kg	0.5Kg
Dimension(mm)	Ø130.8 x 37	Ø159 x 34.6	Ø169 x 37	228 x 115 x 160	115 x 160 x 35

Dimensions (mm)

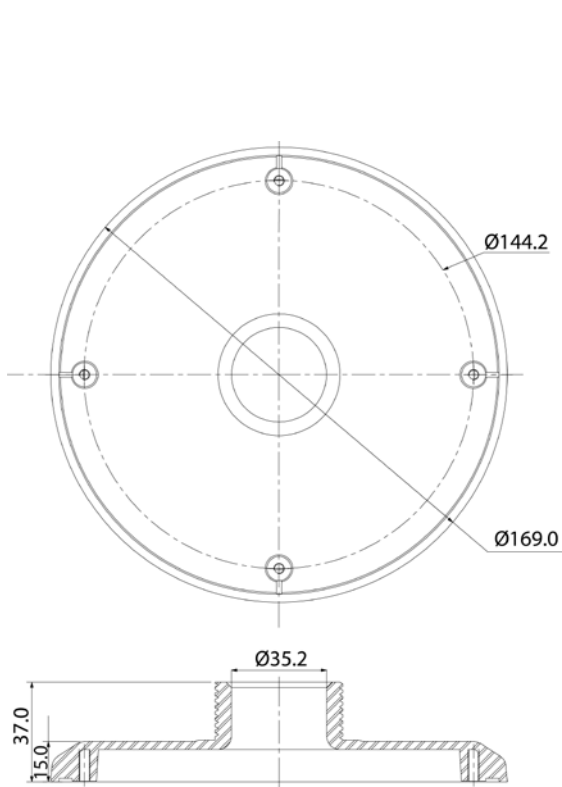


PFA100

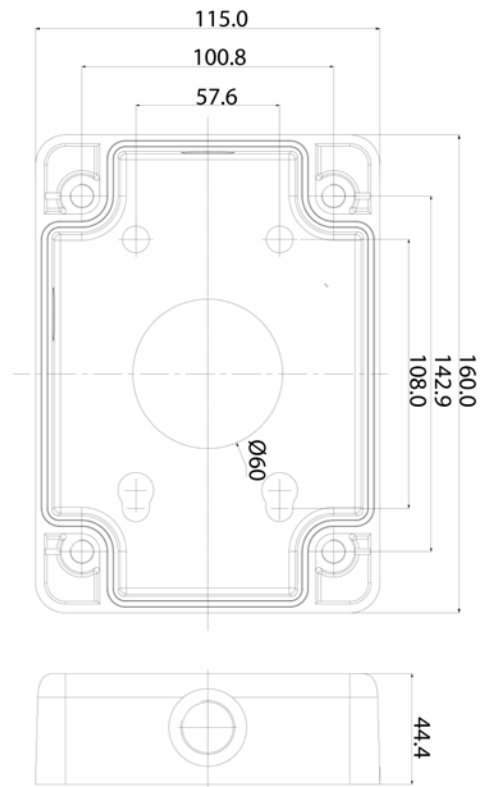


PFA101

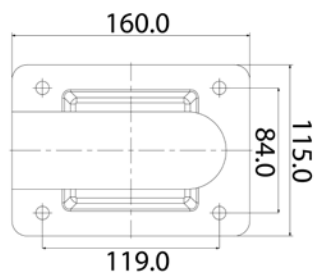
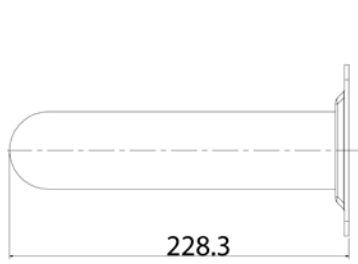
PTZ/Dome Mounting Bracket



PFA102



PFA120



PFB300S



PTZ/Dome Mounting Bracket

Dahua Technology Co., Ltd.

1187 BinAn Road, Binjiang District, Hangzhou, China

Tel: +86-571-87688883

Fax: +86-571-87688815

Email: overseas@dahuatech.com

www.dahuasecurity.com

*Design and specifications are subject to change without notice.

© 2013 Dahua Technology Co., Ltd.