

# DHI-ITC314-PH1A-TF2

## 3Mega Parking Space Detector



### Features

- 3Mega 1/3"inch CMOS, 0.01lux min illumination.
- Support dual stream output of JPEG and H.264, 1~10fps adjustable.
- Interactive design with parking space indicator, in in-ceiling installation.
- Indicator supports at least 7 colors which can be adjusted. It detects vehicle via video, plate recognition, and trigger parking indicator, showing if parking is idle or occupied.
- 1 parking space detector can simultaneously detect 6 spaces.

### Technical Specifications

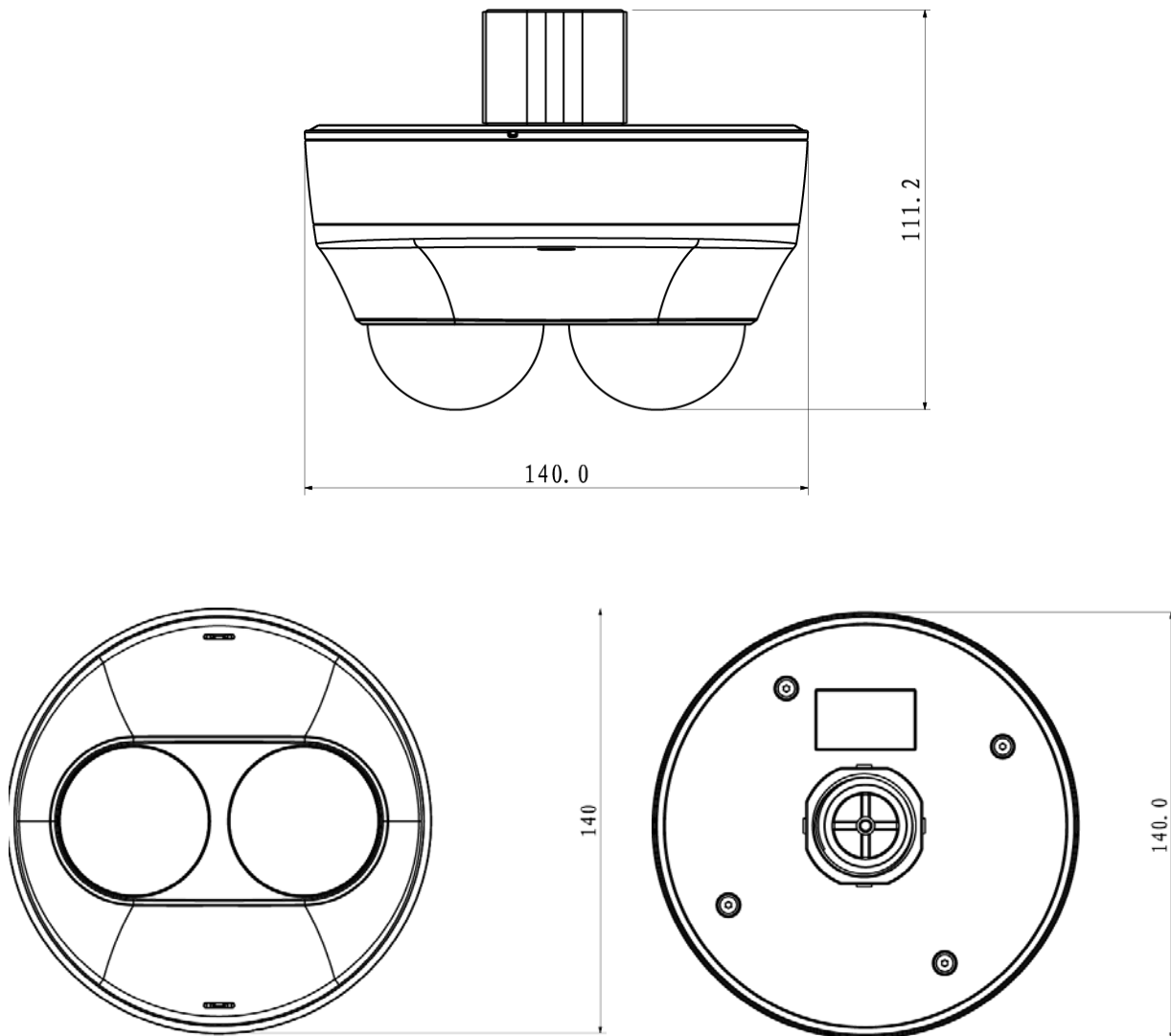
	Model	ITC314-PH1A-TF2
Camera	Sensor Type	1/3 inch CMOS
	Electronic Shutter	1/3s~1/10000s, may manually or auto adjust
	Min Illumination	0.01Lux
	Day/Night	Electronic color to B/W
	Gain Control	Auto
	White Balance	Auto
Image	Image Compression Standard	JPEG
	Image Resolution	2304×1296
Video Parameter	Video Compression Standard	H.264
	Video Output	2-ch
	Video Bit Stream	Each channel support 64~5096Kbps

## DHI-ITC314-PH1A-TF2

Model	ITC314-PH1A-TF2	
	Video Frame Rate	Each channel support 1~10 fps
	Video Resolution	Each channel support : main stream (2304×1296@10fps) , sub stream (704×576@10fps)
Function	Plate Recognition	Support
	Vehicle Parking Detection	Support
	Parking Indicator	7 colors, red, yellow, blue, green, cyan, white, pink; inter-control available
	Monitor Parking Number	6
	Remote Control	Via WEB remote control
	OSD Info Overlay	Support, may customize time, location, parking no., parking status
	Watermark	Watermark and parity
	Record Mode	0~3 pic/vehicle, can set
Interface	Network Port	2, RJ45 10M/100M self-adaptive Ethernet port
	RS485 Port	1
	Lens Port	M12 (2.8mm lens)
Alarm Parameter	Alarm Output	1-ch
	Alarm Input	1-ch
General	Power	DC wide voltage power supply, range: DC8V~DC26V
	Consumption	<11W
	Work Temperature	- 30℃ ~ + 60℃
	Work Humidity	10%~90%
	Dimensions	φ140 mm×111.2mm
	Weight	700g
	Installation	Dome design, in-ceiling mount

### Dimension (mm)

# DHI-ITC314-PH1A-TF2



## Dahua Technology Co., Ltd.

1199BinAn Road, Binjiang District, Hangzhou, China

Tel: +86-571-87688883

Fax: +86-571-87688815

Email: [overseas@dahuatech.com](mailto:overseas@dahuatech.com)

[www.dahuasecurity.com](http://www.dahuasecurity.com)

\*Design and specifications are subject to change without notice.

© 2015Dahua Technology Co., Ltd.