

DHI-ITC302-RF1A-IR

ITS Special 3 Mega HD Intelligent Camera



Order Information

DHI-ITC302-RF1A-IR

Features

- TI DaVinci high-performance DSP
- Adopt 1/1.8" high performance CCD image sensor, high color reducibility, high sensitivity
- Adopt H.264 standard HD video format and 25fps HD video frame rate
- Embedded integration component design, built-in a variety of algorithms, such as License Plate Recognition, Color Recognition, Velocity Measurement by video and so on
- Adopt high performance Image Signal Processing (ISP)
- A variety of signals, data and communication interface
- Precise synchronization signal input and output control

Technical Specifications

Model	ITC302-RF1A-IR	
General	Image Sensor	Sony 1/1.8 progressive CCD
	Target Size	7.16mm (H) × 5.39mm (V)
	Sensor Size	3.69 μm (H) × 3.69 μm (V)
	HD Image Resolution	300W,2048 (H) × 1536 (V)
	Camera Speed Shutter	1/25~1/100000
	Day/Night Cut	Auto(ICR)/Color/B/W
	Noise Reduction	3D
	DWDR	64dB
	Smear Inhibition	Support
	Defect Correction	Support
	Exposure Mode	Support automatic; Custom range automatically; Custom
	White Balance	Support automatic; Color temperature range automatically; Custom color temperature
	Holographic double shutter	Support
Lens	Lens Mount	C Model
	Diaphragm control	Automatic control (P-IRIS drive)
	Video Signal interface	1 CVBS port or HD-SDI port
	Compression	H.264H、H.264M、H.264B、MJPEG

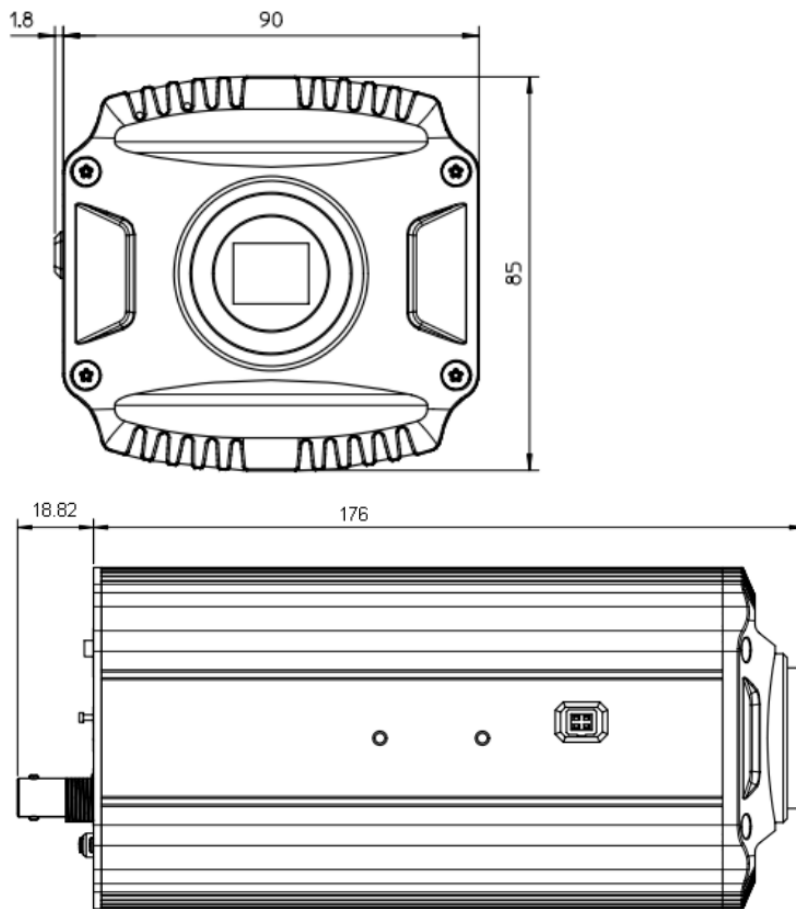
DHI-ITC302-RF1A-IR

	Video Frame	25fps
	Video Resolution	2048×1536、1600×1200、1280×720、D1、CIF
	Dual Stream	Support
Trigger Mode	I/O loop trigger	Support
	RS485 loop trigger	Support
	Radar trigger	Support
	Video detection	Support
Function	Edge enhancement	Support
	Multi-channel blending	Support
	license plate recognition	Support
	Red Light Enforcement	Support
	Rotate function	Support
	Violation image synthesis	Support
	SD Card storage	Support
	Remote control	Configure through WEB client
	OSD	Information of the picture includes time and place (channel address), lane information (number,/direction), plate information(license plate and color), vehicle information (speed, vehicle length, body color and the type of vehicle), violation (violation event name and the illegal code) and so on
	Image records tamper-proof	Support, Video/Image with watermark tech and check function
Interface	Network interface	2, 100/1000M Ethernet port
	Fiber interface	1
	USB interface	2,Mini USB
	SD interface	1
	RS485 interface	2, used to connect vehicle detector or signal detector
	RS232 interface	4, used to debug serial port or connect radar
	Flash lamp or LED strobe light synchronization	7, Opt coupler signal output, frequency can be set
	External frequency synchronization	Support (12~36Vp-p or AC12~24V)
	Alarm/wiper output	2, Relay output
	Alarm input	1, optical coupling input (switch)
	I/O loop input	8, optical coupling input (switch)
	DC 5V	Output 500mA
	Work Environment	Power supply
External power synchronization		Support, Sync phase support fine-tuning
Power Consumption		<15W(without Adapter)
Operating temperature		- 40℃ ~ + 80℃
Operating humidity		10%~90%
Dimension		176mm×96mm×85mm

DHI-ITC302-RF1A-IR

	Weight	1.3kg
--	--------	-------

Dimensions(mm)



Dahua Technology Co., Ltd.

1187BinAn Road, Binjiang District, Hangzhou, China Tel:

+86-571-87688883

Fax: +86-571-87688815

Email:overseas@dahuatech.com www.dahuatech.com

*Design and specifications are subject to change without notice.
© 2015Dahua Technology Co., Ltd.