

## DHI-ITC237-PW1A-IRZ

### ITS 2Mega HD Intelligent Camera



### Order Information

DHI-ITC237-PW1A-IRZ

### Features

- High-performance 2 Mega CMOS Sensor.
- HD Image Resolution 1920(H)\*1080(V)Smart triple streams supported
- Enhance the camera sensitivity in low illumination and enhance the video signal output to get the clear and high definition video.
- White list, set whether vehicle to have open gate right or not.
- OSD function, set picture OSD info and position, video channel related info can be set in camera setup page.
- Real-time respond to external alarm input ( within 200MS) as user pre-defined activation setup and exert corresponding message in screen and audio prompt(allow user to pre-record audio file).
- Supports 2 way vehicle snapshot including induction loop and video
- Supports one-channel A/V data transmit to network terminal and then decode. Allowed by the band width, delay is less than 500ms.
- Support plate, vehicle color recognition function.
- Adopt the following A/V transmission protocol: HTTP, TCP, UDP, MULTICAST and RTP/RTCP and etc.

# DHI-ITC237-PW1A-IRZ

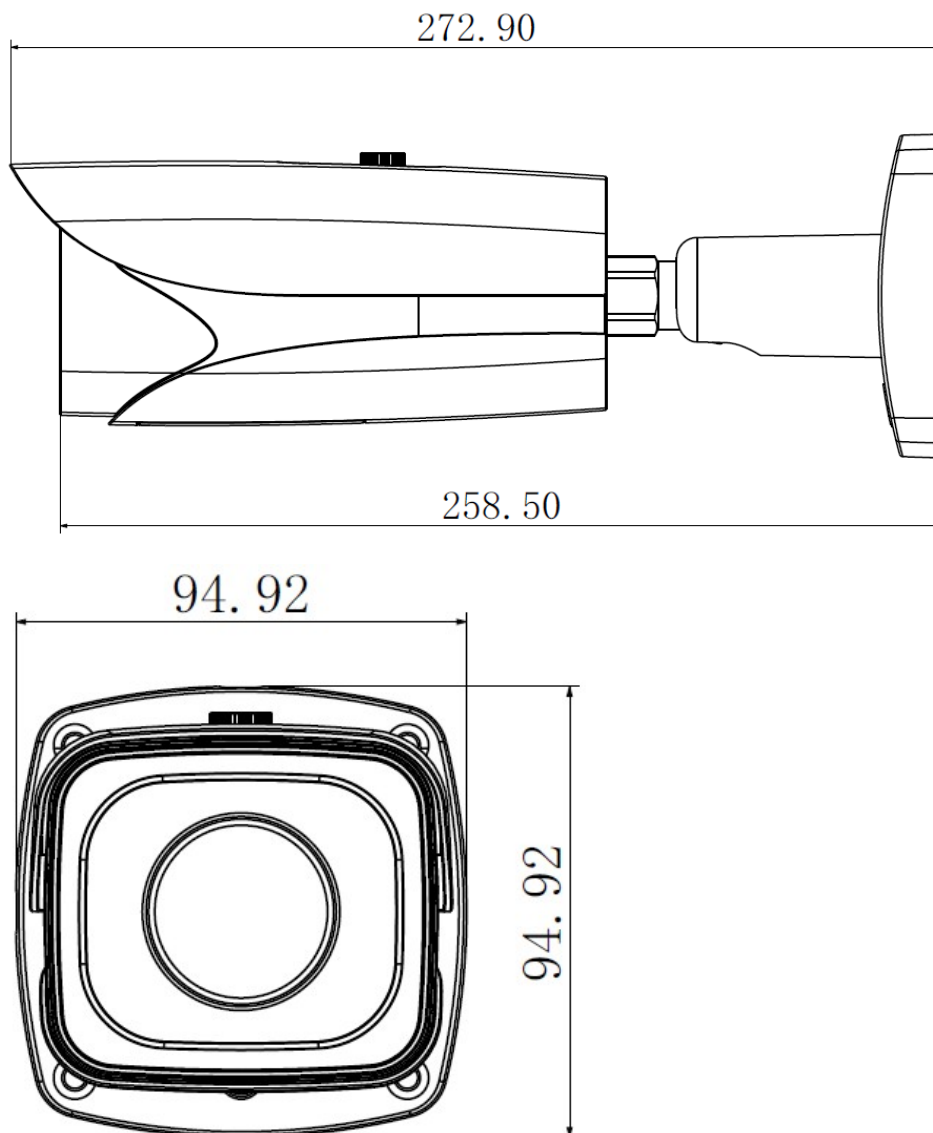
## Technical Specifications

Model		ITC237-PW1A-IRZ
<b>Camera</b>	Sensor	1/1.9 inch CMOS
	Shutter	1/12.5~1/10000, manual or auto
	Min Illumination	(black white mode)0.002Lux/F1.2 (color mode),0.0002Lux/F1.2
	Scan	Progressive
	Day/Night Mode Switch	IR-CUT motorized cut
	Exposure Mode	Support full auto, customized range auto and customized
	White Balance	Support full auto, HUE range auto, and customized HUE
	HLC	Support
	Edge Enhance	Support
<b>Lens</b>	Lens Port	φ14
	Lens Focus	4mm~8mm
	Lens Iris	F1.8
	Iris Control	DC drive
	Focal Type	Motorized
<b>Image</b>	Image Compression Standard	JPEG
	Image Resolution	1920×1080
	Video Compression Standard	H.264/H.264H/
	Bit Stream	H.264 stream adjustable
	Video Frame Rate	50s
	Video Resolution	1920×1080
<b>Trigger Mode</b>	I/O Coil Trigger	Support
	Video Detection	Support
<b>Special Function</b>	White-list	Max support 10000 vehicles on white-list, may directly link gateway to output
	Intelligent Recognition	Plate recognition, vehicle color recognition, LOGO recognition
	Remote Control	Remote configure and control via Web client
	OSD Info Overlay	Support, may define time, location, direction, lane No. and etc.
	Watermark	Video and picture watermark
<b>Port</b>	Built-in IR	Built-in 2 LED IR lights
	Network Port	1, 100/1000M Ethernet port

## DHI-ITC237-PW1A-IRZ

	Alarm Input Port	2-ch, opt coupler input (switch), used in coil input
	Alarm Output	1-ch, relay output, used to link gateway
	Audio Port	N/A
<b>General</b>	Power	AC 24V
	Consumption	<15W
	Temperature	- 30°C ~ + 60°C
	Protection Level	IP66
	Humidity	≤95%
	Dimension (mm)	94.92mmX94.92mmX272.90mm
	Weight	1.4kg

### Dimensions (mm)



## **DHI-ITC237-PW1A-IRZ**

---

**Dahua Technology Co., Ltd.**

1199 BinAn Road, Binjiang District, Hangzhou, China

Tel: +86-571-87688883

Fax: +86-571-87688815

Email:overseas@dahuatech.com

www.dahuatech.com

\*Design and specifications are subject to change without notice.

© 2015 Dahua Technology Co., Ltd.