

## DH-IPC-HDBW5200

### 2 Megapixel Water-Proof & Vandal-Proof IR Network Dome Camera



#### Features

- 1/3" 2Megapixel progressive scan Exmor CMOS
- H.264 & MJPEG dual-stream encoding
- Max 25/30fps@1080P(1920×1080)
- DWDR, Day/Night(ICR), 3DNR, Auto iris, AWB, AGC, BLC
- Multiple network monitoring: Web viewer, CMS(DSS/PSS) & DMSS
- 2.7~12mm varifocal lens
- Built-in 1/1 alarm in/out
- Max. IR LEDs Length 20m
- Micro SD memory, IP66, IK10, PoE

# DH-IPC-HDBW5200

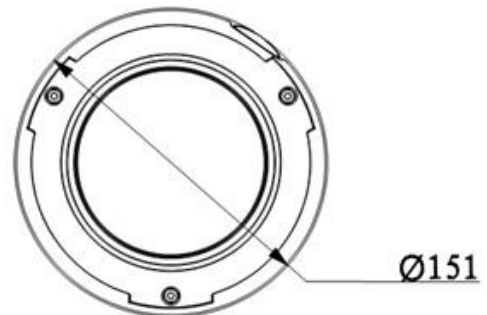
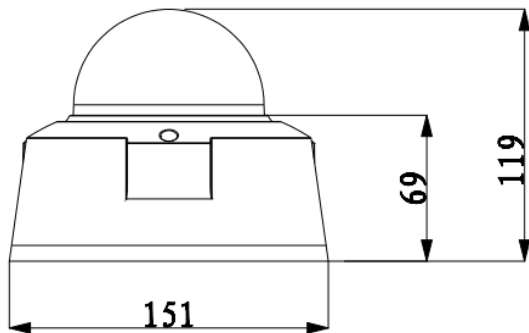
## Technical Specifications

Model	DH-IPC-HDBW5200P		DH-IPC-HDBW5200N
<b>Camera</b>			
Image Sensor	1/3" 2Megapixel Exmor CMOS		
Effective Pixels	1920(H)x1080(V)		
Scanning System	Progressive		
Electronic Shutter Speed	Auto/Manual 1/3~1/10000	Auto/Manual 1/4~1/10000	
Min. Illumination	0.1lux/F1.4(color), 0Lux/F1.4(IR on)		
S/N Ratio	More than 50db		
Video Output	1 channel BNC(1.0Vp-p, 75Ω)		
<b>Camera Features</b>			
Max. IR LEDs Length	20m		
Day/Night	Auto(ICR)/Color/B/W		
Backlight Compensation	Off/BLC/HLC/DWDR		
White Balance	Auto/Manual		
Gain Control	Auto/Manual		
Noise Reduction	3D		
Privacy Masking	Up to 4 areas		
<b>Lens</b>			
Focal Length	2.7~12mm		
Max Aperture	F1.4		
Focus Control	Manual		
Angle of View	H: 105.6°(Wide)~27.4°(Tele)		
Lens Type	Manual/Auto Iris (DC)		
Mount Type	Board-in Type		
<b>Video</b>			
Compression	H.264/ MJPEG		
Resolution	1080P(1920×1080)/ D1(704×576)	1080P(1920×1080) / D1(704×480)	
Frame Rate	Main Stream	1080P(1 ~ 25/30fps)	
	Sub Stream	D1(1 ~ 25/30fps)	
Bit Rate	H.264: 16K ~ 8192Kbps		
<b>Audio</b>			
Compression	G.711a/G.711u(64kbps)/PCM(128kbps)		
Interface	1/1 channel In/Out		
<b>Network</b>			
Ethernet	RJ-45 (10/100Base-T)		
Wi-Fi	N/A		
Protocol	IPv4/IPv6, HTTP, HTTPS, SSL, TCP/IP, UDP, UPnP, ICMP, IGMP, SNMP, RTSP, RTP, SMTP, NTP, DHCP, DNS, PPPOE, DDNS, FTP, IP Filter, QoS, Bonjour		
ONVIF	ONVIF Profile S		
Max. User Access	20 users		
Smart Phone	iPhone, iPad, Android, Windows Phone		
<b>Auxiliary Interface</b>			

## DH-IPC-HDBW5200



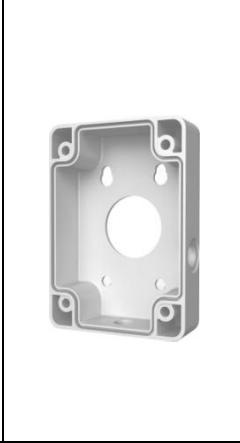
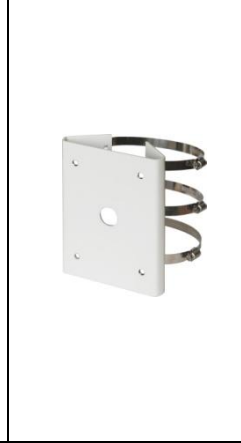
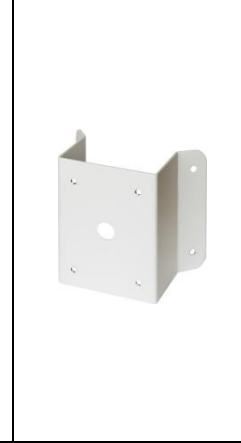
Memory Slot	Micro SD, Max 32GB
RS485	N/A
Alarm	1/1 channel In/Out
PIR Sensor Range	N/A
<b>General</b>	
Power Supply	AC24V/DC12V, PoE(802.3af)
Power Consumption	<7W
Working Environment	-20°C~+60°C, Less than 90% RH
Ingress Protection	IK10
Vandal Resistance	IP66
Dimensions	Φ151mm×119mm
Weight	1.25kg

### Dimensions (mm)



## DH-IPC-HDBW5200

### Accessories (optional)

				
PFA100	PFB300S	PFA120	DH-65FQ	DH-65FW

---

#### Dahua Technology Co., Ltd.

1187 BinAn Road, Binjiang District, Hangzhou, China

Tel: +86-571-87688883

Fax: +86-571-87688815

Email: [overseas@dahuatech.com](mailto:overseas@dahuatech.com)

[www.dahuatechsecurity.com](http://www.dahuatechsecurity.com)

\*Design and specifications are subject to change without notice.

© 2013 Dahua Technology Co., Ltd.