

Villa Outdoor Station



Features

- Super slim design with decent appearance.
- Color CMOS camera
- Swiping card
- Support night vision
- Flush mounted.
- Support video doorbell function, it can be used as 2nd confirmation station

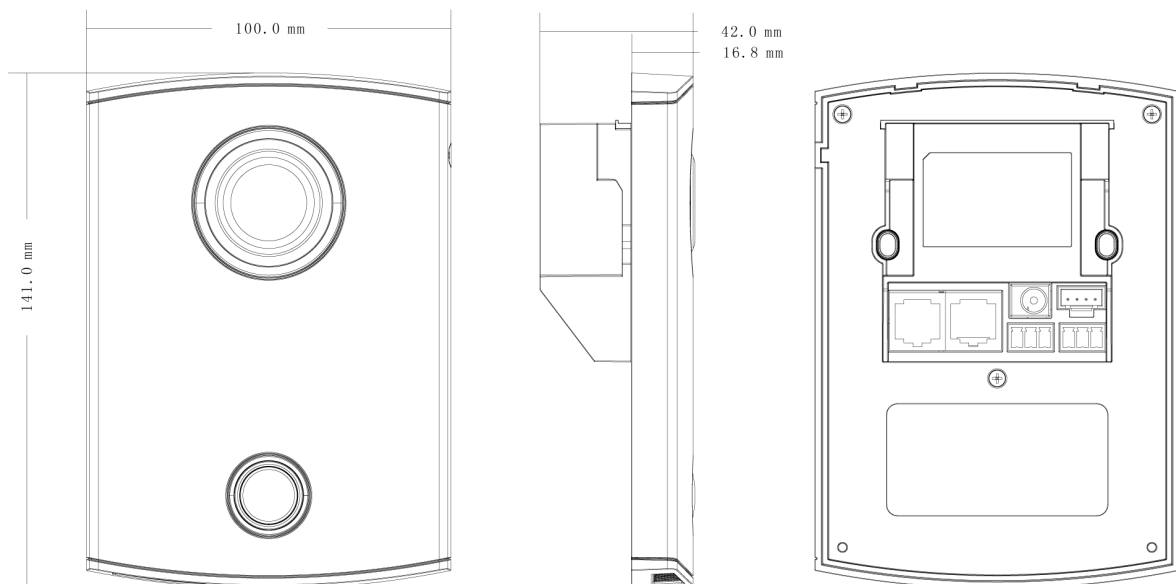
Specifications

Model		DH-VTO5100C
Video	Type	color
	Resolution	600 lines
	Night vision	Support
Audio	Audio Input	1-ch microphone input
	Audio Output	1-ch loudspeaker output
	Bidirectional Talk	1-ch bidirectional talk, two way

DH-VTO5100C

Operating modes	Input	One mechanical button with background light
	Swipe card	Built-in IC card sensor
Alarm	tamper	Support
General	Power	DC 24V
	Power Consumption	Standby $\leq 1W$, work $\leq 4W$
	work environment	Temperature: -20°C~+60°C
	Dimensions	141mm*100mm*16.8mm (L*W*T)
	Weight	0.4 kg

Dimensions



Dahua Technology Co., Ltd.

1187BinAn Road, Binjiang District, Hangzhou, China

Tel: +86-571-87688883

Fax: +86-571-87688815

Email: overseas@dahuatech.com

www.dahuatech.com