

DH-VTH1500AS

7-inch Color Indoor Monitor



Features

- 7" TFT LCD screen, with outstanding effect
- Easy to use with big buttons
- Color Video phone, support hand-free calls
- Support monitoring, video talk, unlock function
- Support Information check, can receive Message from guard office
- Directly notice to guard office for emergency
- Compatible to up to 8 security sensors (burglar, fire, gas leakage ,etc)

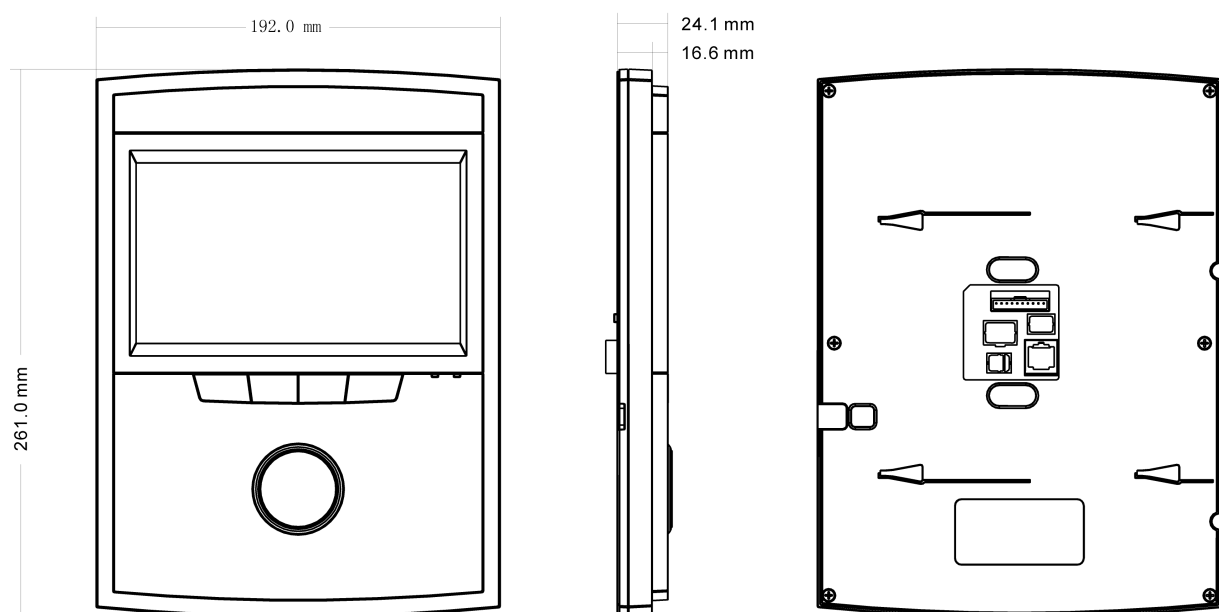
Specifications

Model		DH-VTH1500AS
System	Main Processor	NEC MCU
	Operation Interface	Simple OSD message
	Input Device	Mechanical keys, 5
Video	Video Input	1-ch CVBS analog video
	Video Display	7" color LCD, resolution: 800x480
	Monitoring	Support monitoring with monitor button

DH-VTH1500AS

Audio	Audio Input	1-ch microphone input (Omni-directional electrets)
	Audio Output	1-ch loudspeaker output
	Bidirectional Talk	1-ch bidirectional talk, two way
Network Function	Net Control	Monitor & Unlock
		Call management center for emergency
		RS485 bus
		Remotely upgrade
Interface	Net Interface	RJ45 (non-Ethernet) plug connected with distributor, including power supply, AV and control signal
	RS485	Bus control and software upgrading
	DC Power	24V
System Upgrading		Remote network upgrading
General	Power	24V / 0.3A
	Power Consumption	max 6W
	Temperature	-5°C – +55°C
	Humidity	20% – 90%
	Dimensions	261.0mm*192.0mm*24.1mm (L*W*T)
	Weight	0.7 Kg
	Installation Method	Installed on 86 box sheet metal bracket

Dimensions



Dahua Technology Co., Ltd.

1187BinAn Road, Binjiang District, Hangzhou, China

Tel: +86-571-87688883

Fax: +86-571-87688815

Email: overseas@dahuatech.com

www.dahuatech.com

*Design and specifications are subject to change without notice.