

## DH-TPC-BF5600

---

### Thermal Network Bullet Camera



### Features

- 640\*512 VOx uncooled thermal sensor technology
- Athermalized Lens, Focus-free
- Support ROI, Motion Detection, Color Palettes
- Built-in 2/1 alarm in/out
- Micro SD memory(Max 128G)
- Multiple network monitoring: Web viewer, CMS(DSS/PSS) & DMSS
- Tri-Mode for video output :IP/HDCVI/Analog
- H.264&MJPEG dual-stream encoding
- IP66, PoE

# DH-TPC-BF5600

## Technical Specifications

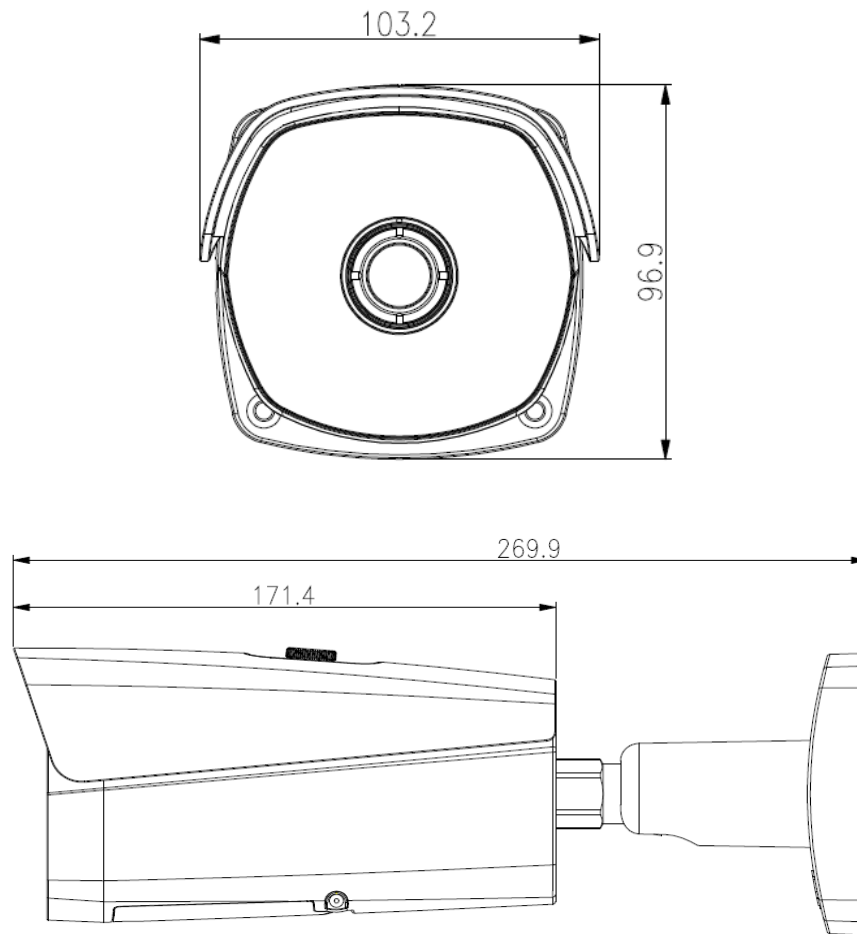
|                           |                                |  |  |  |
|---------------------------|--------------------------------|--|--|--|
| <b>Model</b>              |                                | <b>DH-TPC-BF5600</b>   |  |  |
| <b>Thermal Camera</b>     |                                |  |  |  |
| Sensor Type               |                                | Long Life, Uncooled VOx Microbolometer   |  |  |
| Effective Pixels          |                                | 640(H) x 512(V)  |  |  |
| Pixel Size                |                                | 17um   |  |  |
| Thermal Sensitivity       |                                | <40mK@f/1.0  |  |  |
| Spectral range            |                                | 7~14um   |  |  |
| <b>Lens</b>               |                                |  |  |  |
| Focal Length              |                                | 7.5mm  | 13mm   | 19mm   |
| Focus Range               |                                | Athermalized, Focus-free   |  |  |
| Angle of View(H×V)        |                                | 90° *69°   | 45° *37°   | 32° *26°   |
| Effective Distance①       | Man<br>(1.8m*0.5m)             | Detection:250m<br>Recognition:60m<br>Identification:40m  | Detection:450m<br>Recognition:120m<br>Identification:60m   | Detection:650m<br>Recognition:160m<br>Identification:80m   |
|                           | Vehicle<br>(2.3m*2.3m)         | Detection:640m<br>Recognition:170m<br>Identification:70m   | Detection:1300m<br>Recognition:340m<br>Identification:170m | Detection:2000m<br>Recognition:500m<br>Identification:250m |
| <b>Camera Features</b>    |                                |  |  |  |
| Digital Zoom              |                                | 24X  |  |  |
| Color Palettes            |                                | 14(Whitehot/Blackhot/Ironrow/Icefire/Fusion\Rainbow\Globow\Iconbow1\Iconbow2 .etc)   |  |  |
| ROI                       |                                | Support, Custom areas  |  |  |
| Motion Detection          |                                | Support  |  |  |
| <b>Video</b>              |                                |  |  |  |
| Compression               |                                | H.264Main profile/H.264High profile/M-JPEG   |  |  |
| Frame Rate                | Main Stream                    | 1280*1024(1 ~ 25/30fps) (default)/ 720P(1 ~ 25/30fps)  |  |  |
|                           | Sub Stream                     | 640*360(1 ~ 25/30fps) (default)/ 640*512(1 ~ 25/30fps)   |  |  |
| Bit Rate                  |                                | H.264: 448~8192Kbps  |  |  |
| Video Output              |                                | IP/ Analog (HDCVI Optional)  |  |  |
| <b>Smart Function</b>     |                                |  |  |  |
| Smart detection(optional) | Tripwire                       |  |  |  |
|                           | Intrusion                      |  |  |  |
|                           | Object Detect(People &Vehicle) |  |  |  |
|                           | Heat source detect &alarm      |  |  |  |
| <b>Audio</b>              |                                |  |  |  |
| Compression               |                                | G.711a/G.711u(8K 16BIT)  |  |  |
| Interface                 |                                | 1 channel in   |  |  |
| <b>Network</b>            |                                |  |  |  |
| Ethernet                  |                                | RJ-45 (10/100Base-T)   |  |  |
| Protocol                  |                                | IPv4/IPv6, HTTP, HTTPS, SSL, TCP/IP, UDP, UPnP, ICMP, IGMP, SNMP, RTSP, RTP, SMTP, NTP, DHCP, DNS, PPPOE, DDNS, FTP, IP Filter, QoS, Bonjour |  |  |

## DH-TPC-BF5600


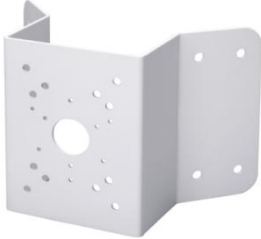

|   |                                      |
|---|--------------------------------------|
| Compatibility   | ONVIF PSIA CGI                       |
| Max. User Access  | 20 users                             |
| Smart Phone   | iPhone, iPad, Android, Windows Phone |
| <b>Auxiliary Interface</b>  |                                      |
| Memory Slot   | Micro SD, Max 128GB                  |
| RS485   | N/A                                  |
| Alarm   | 2/1 channel In/Out                   |
| <b>General</b>  |                                      |
| Power Supply  | AC24V/DC12V/POE                      |
| Power Consumption   | <6W                                  |
| Working Environment   | -40°C~+60°C, Less than 95% RH        |
| Ingress Protection  | IP66                                 |
| Dimensions  | 270 mm × 103mm× 97mm                 |
| Weight  | 1.37kg                               |
| Note:<br>① Effective distance values shown are nominal values and should be used as estimates only.<br>Exact value calculations depend on a wide variety of conditions. |                                      |

# DH-TPC-BF5600

## Dimensions (mm)



## Accessory (optional)

| PFA121  | PFA151  | PFA152  |
|---|---|---|
|  |  |  |

### Dahua Technology Co., Ltd.

1199 BinAn Road, Binjiang District, Hangzhou, China

Tel: +86-571-87688883

Fax: +86-571-87688815

Email: [overseas@dahuatech.com](mailto:overseas@dahuatech.com)

[www.dahuatech.com](http://www.dahuatech.com)

\*Design and specifications are subject to change without notice.

© 2015 Dahua Technology Co., Ltd.