

## DH-SDZH2030S-N

---

### 2Mp Full HD 30x Network Housing Zoom Camera



#### Features

- 2Megapixel CMOS brings excellent image quality and high sensitivity
- 30x optical zoom lens realizes instant AF & quick zoom
- H.264 & MJPEG dual-stream encoding
- Max 25/30fps@1080p resolution
- DWDR, Day/Night(ICR), DNR (2D&3D),Auto iris, Auto focus, AWB, AGC,BLC
- Multiple network monitoring: Web viewer, CMS(DSS/PSS) & DMSS
- Built-in 2/1 alarm in/out
- Micro SD memory
- Wide-range temperature application: -40°C ~ +70°C

# DH-SDZH2030S-N

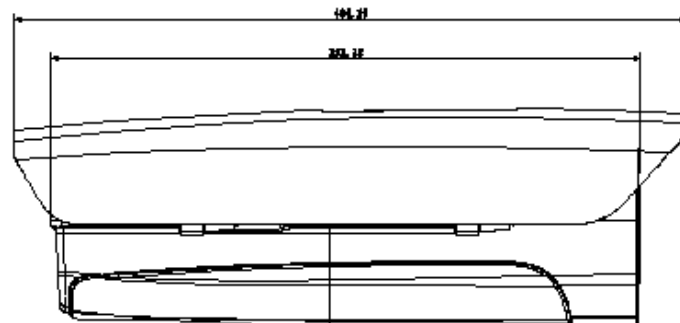
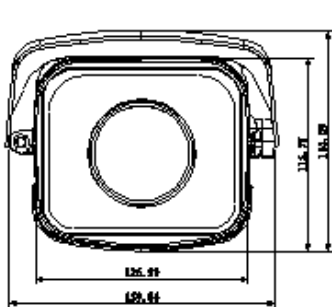
## Technical Specifications

<b>Model</b>	<b>DH-SDZH2030S-N</b>	
<b>Camera</b>		
Image Sensor	1/2.8" CMOS	
Effective Pixels	1944(H) x 1092(V), 2 Megapixels	
Scanning System	Progressive	
Electronic Shutter Speed	1/1 ~ 1/30,000s	
Min. Illumination	B/W: 0.005 Lux/F1.6	
S/N Ratio	More than 50dB	
Video Output	BNC(1.0Vp-p/75Ω), PAL / NTSC	
<b>Camera Features</b>		
Day/Night	Auto(ICR) / Color / B/W	
Backlight Compensation	BLC / HLC / DWDR	
White Balance	Auto, ATW, Indoor, Outdoor, Manual	
Gain Control	Auto / Manual	
Noise Reduction	2D / 3D	
Privacy Masking	Up to 24 areas	
Digital Zoom	16x	
<b>Lens</b>		
Focal Length	4.3mm~129mm (30x Optical zoom)	
Max Aperture	F1.6 ~ F5	
Focus Control	Auto/ Manual	
Angle of View	H: 65.1° ~ 2.34°	
Close Focus Distance	10mm~ 1500mm	
<b>Video</b>		
Compression	H.264 / MJPEG	
Resolution	1080P(1920×1080) / 720P(1280×720) / D1(704×576/704×480) / CIF(352×288/352×240)	
Frame Rate	Main Stream	1080P/720P(1 ~ 25/30fps)
	Sub Stream	D1/CIF(1 ~ 25/30fps)
Bit Rate	H.264: 56K ~ 8192Kbps, MJPEG: 56K ~ 20480Kbps	
<b>Audio</b>		
Compression	G.711a / G.711u(32kbps) / PCM(128kbps)	
Interface	1/1 channel In/Out	
<b>Network</b>		
Ethernet	RJ-45 (10/100Base-T)	
Protocol	IPv4/IPv6, HTTP, HTTPS, SSL, TCP/IP, UDP, UPnP, ICMP, IGMP, SNMP, RTSP, RTP, SMTP, NTP, DHCP, DNS, PPPOE, DDNS, FTP, IP Filter, QoS, Bonjour	
ONVIF	ONVIF Profile S	
Max. User Access	20 users	
Smart Phone	iPhone, iPad, Android, Windows Phone	

## DH-SDZH2030S-N

Auxiliary Interface	
RS485	1 port
Memory Slot	Micro SD, Max 64GB
Alarm	2/1 channel In/Out
General	
Power Supply	AC24V/ DC12V optional
Power Consumption	< 35W
Working Environment	-40°C ~ +70°C / < 90%RH
Ingress Protection	IP66
Dimensions(W×D×H)	404mm×164mm×132mm
Weight	3.5kg

### Dimensions (mm)



# DH-SDZH2030S-N

## Accessories (Optional)

### For AC24V Model

		
AC24V/3A	DH-PFB600W	DH-PFB601W

### For DC12V Model

		
DC12V/5A	DH-PFB600W	DH-PFB601W

---

### Dahua Technology Co., Ltd.

1199 BinAn Road, Binjiang District, Hangzhou, China

Tel: +86-571-87688883

Fax: +86-571-87688815

Email: [overseas@dahuatech.com](mailto:overseas@dahuatech.com)

[www.dahuatechsecurity.com](http://www.dahuatechsecurity.com)

\*Design and specifications are subject to change without notice.

© 2014 Dahua Technology Co., Ltd.