

DH-SD6C230E-HN

2Mp Full HD 30x Network IR PTZ Dome Camera

Enhanced Chipset Advanced Surveillance Camera



Features

- 30x optical zoom
- H.264 & MJPEG dual-stream encoding
- Enhanced Chipset Advanced Surveillance Camera
- Max. 25/30fps@1080P(1920×1080) & 720P resolution
- DWDR, Day/Night(ICR), Ultra DNR, Auto iris, Auto focus
- Max 240°/s pan speed, 360° endless pan rotation
- Up to 255 presets, 5 auto scan, 8 tour, 5 pattern
- Multiple network monitoring: Web viewer, CMS(DSS/PSS) & DMSS
- Built-in 2/1 alarm in/out, Micro SD memory, IP66
- Support intelligent 3D positioning with DH-SD protocol
- IR Distance up to 100m

DH-SD6C230E-HN

Technical Specifications

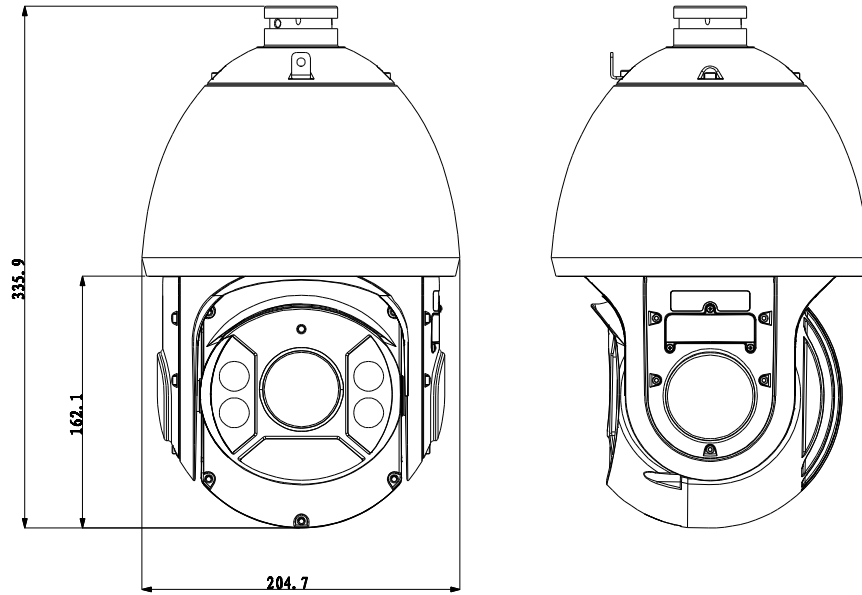
| | |
|--------------------------|--|
| Model | DH-SD6C230E-HN |
| Camera | |
| Image Sensor | 1/2.8" Exmor CMOS |
| Effective Pixels | 1944(H) x 1092(V) |
| Scanning System | Progressive |
| Min. Illumination | Color: 0.05Lux@F1.6; B/W: 0.005Lux@F1.6 |
| S/N Ratio | More than 50dB |
| Electronic Shutter Speed | 1/1 ~ 1/30,000s |
| Video Output | BNC(1.0Vp-p/75Ω), PAL / NTSC |
| Camera Features | |
| Day/Night | Auto(ICR) / Color / B/W |
| Backlight Compensation | BLC / HLC / DWDR (Digital WDR) |
| Gain Control | Auto / Manual |
| White Balance | Auto, ATW, Indoor, Outdoor, Manual |
| Noise Reduction | Ultra DNR (2D/3D) |
| Privacy Masking | Up to 24 areas |
| Digital Zoom | 16x |
| Lens | |
| Focal Length | 4.3mm~129mm(30x Optical zoom) |
| Max Aperture | F1.6 ~ F5 |
| Focus Control | Auto / Manual |
| Angle of View | H: 65.1° ~ 2.34° |
| Close Focus Distance | 10mm~ 1500mm |
| PTZ | |
| Pan/Tilt Range | Pan: 0° ~ 360° endless; Tilt: -15° ~ 90°, auto flip 180° |
| Manual Control Speed | Pan: 0.1° ~160° /s; Tilt: 0.1° ~120° /s |
| Preset Speed | Pan: 240° /s; Tilt: 200° /s |
| Preset | 80(DH-SD), 255(Pelco-P/D) |
| PTZ Mode | 5 Pattern, 8 Tour, Auto Pan, Auto Scan |
| Speed Setup | Human-oriented focal length/ speed adaptation |
| Power up Action | Auto restore to previous PTZ and lens status after power failure |
| Idle Motion | Activate Preset/ Pan/ Scan/ Tour/ Pattern if there is no command in the specified period |
| Time Task | Auto activation of Preset/ Pan/ Scan/ Tour/ Pattern by preset-time |
| Protocol | DH-SD, Pelco-P/D (Auto recognition) |
| IR Distance | 100m (2 near IR LED+ 4 far IR LED) |
| Video | |
| Compression | H.264 / MJPEG |
| Resolution | 1080P(1920×1080) / 720P(1280×720) / D1(704×576/ 704×480) /CIF (352×288/352×240) |

DH-SD6C230E-HN

| | | |
|----------------------------|-------------|---|
| Frame Rate | Main Stream | 1080P/720P(1 ~ 25/30fps) |
| | Sub Stream | D1/CIF(1 ~ 25/30fps) |
| Bit Rate | | H.264: 56K ~ 8192Kbps, MJPEG: 56K ~ 20480Kbps |
| Network | | |
| Ethernet | | RJ-45 (10/100Base-T) |
| Protocol | | IPv4/ IPv6, HTTP, HTTPS, SSL, TCP/IP, UDP, UPnP, ICMP, IGMP, SNMP, RTSP, RTP, SMTP, NTP, DHCP, DNS, PPPOE, DDNS, FTP, IP Filter, QoS, Bonjour, 802.1x |
| ONVIF | | ONVIF Profile S |
| Max. User Access | | 20 users |
| Smart Phone | | iPhone, iPad, Android, Windows Phone |
| Audio | | |
| Compression | | G.711a / G.711u(32kbps)/ PCM(128kbps) |
| Interface | | 1/1 channel In/Out |
| Auxiliary Interface | | |
| Memory Slot | | Micro SD, Max 64GB |
| RS485 | | 1 |
| Alarm | | 2/1 channel In/Out |
| General | | |
| Power Supply | | AC 24V/2.2A (±10%) |
| Power Consumption | | 10.5W, 26W (IR on, Heater on) |
| Working Environment | | -40°C ~ 60°C / Less than 90% RH |
| Ingress Protection | | IP66 |
| Dimensions | | Φ204.7(mm) x 359.9(mm) |
| Weight | | 7.8kg |

DH-SD6C230E-HN

Dimensions (mm)







Accessories

| | |
|---|--|
|  |  |
| DH-64FB | Power Supply |

DH-SD6C230E-HN

Accessories (Optional)

| | | | | |
|---|---|---|---|---|
|  |  |  |  |  |
| DH-PFA114 | DH-PFB300C | DH- PFB301C | DH-PFA112 | DH-PFA113 |

| | | | |
|---|---|---|--|
|  |  |  |  |
| DH-PFB301S | DH-PFA120 | DH- PFA150 | DH-PFA151 |

Dahua Technology Co., Ltd.

1187 BinAn Road, Binjiang District, Hangzhou, China

Tel: +86-571-87688883

Fax: +86-571-87688815

Email: overseas@dahuatech.com

www.dahuasecurity.com

*Design and specifications are subject to change without notice.

© 2013 Dahua Technology