

DH-SD6523E/36E/70-H

23x/36x PTZ Dome Camera



DH-SD6523E/36E/70-H (Outdoor)



DH-SD65C23E/36E/70-H (Indoor in-ceiling)

Features

- Powerful 23x/36x optical zoom
- High resolution@700TVL/650TVL
- DWDR, Day/Night (ICR), DNR (2D&3D), Auto iris, Auto focus, AWB, AGC, BLC
- Max 400 °/s pan speed, 360° continuous pan rotation
- Up to 255 presets, 5 auto scan, 8 tour, 5 pattern
- Built-in 7/2 alarm in/out
- Support intelligent 3D positioning with DH-SD protocol
- IP67, easy-installation (Outdoor Series)

DH-SD6523E/36E/70-H

Technical Specifications

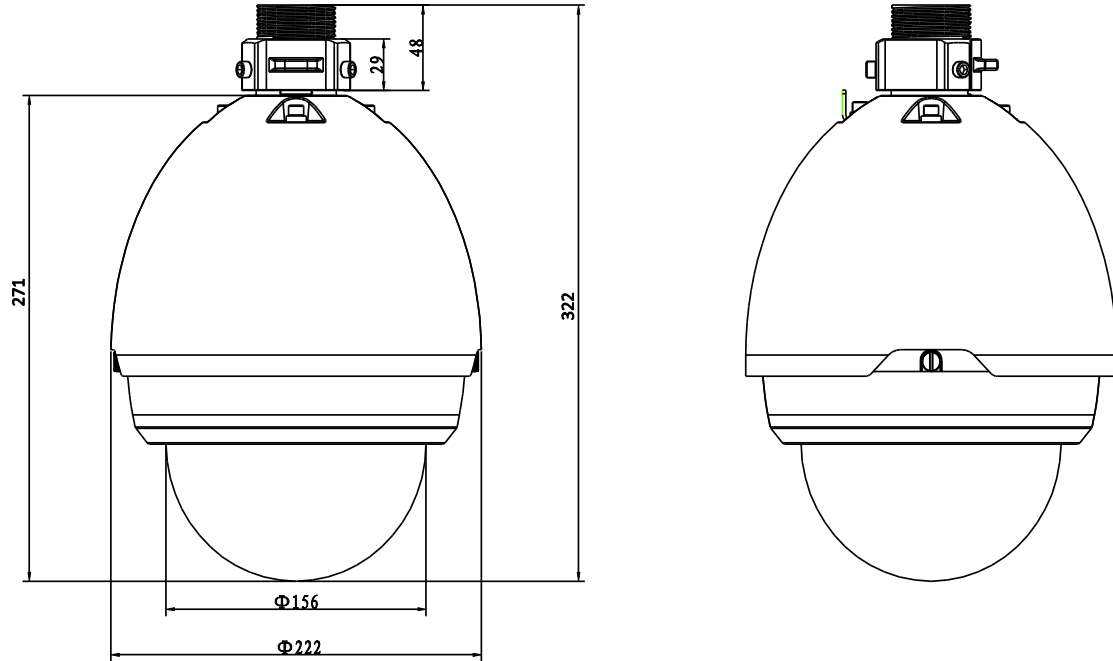
Model	DH-SD6523E-H DH-SD65C23E-H	DH-SD6536E-H DH-SD65C36E-H	DH-SD6570-H DH-SD65C70-H
Camera			
Image Sensor	1/4" Super HAD CCD II		1/3" EXview HAD CCD II
Effective Pixels	976(H) × 582(V) / 976(H) × 494(V)		
Horizontal Resolution	Color: 650TVL; B/W: 700TVL		Color: 700TVL B/W: 750TVL
Scanning System	Interlacing		
Electronic Shutter Speed	1/1s ~ 1/100,000s		
Min. Illumination	Color: 0.01 Lux/F1.6 B/W: 0.001Lux/F1.6		Color: 0.001Lux/F1.6 B/W: 0.0001Lux/F1.6
S/N Ratio	More than 50dB		
Video Output	BNC(1.0Vp-p/75Ω), PAL / NTSC		
Camera Features			
Day/Night	Auto(ICR) / Color / B/W		
Backlight Compensation	BLC / HLC / DWDR (Digital WDR)		
White Balance	Auto, ATW, Indoor, Outdoor, Manual		
Gain Control	Auto / Manual		
Noise Reduction	2D / 3D		
Privacy Masking	Up to 24 areas		
Digital Zoom	16x		
Lens			
Focal Length	3.9mm~89.7mm (23x Optical zoom)	3.4mm~122.4mm (36x Optical zoom)	3.9mm ~ 89.7mm (23x Optical zoom)
Max Aperture	F1.6~ F3.7	F1.6~ F4.5	F1.6~ F2.7
Focus Control	Auto / Manual		
Angle of View	H: 61.68° ~ 3.06°	H: 57.8°~1.7°	H: 57.58°~ 3.12°
Close Focus Distance	10mm~1000mm		
PTZ			
Pan/Tilt Range	Pan: 0° ~ 360° endless; Tilt: -2° ~ 90°, auto flip 180°		
Manual Control Speed	Pan: 0.1° ~ 300°/s; Tilt: 0.1° ~ 250°/s		
Preset Speed	Pan: 400°/s; Tilt: 300°/s		
Preset	80(DH-SD), 255(Pelco-P/D)		
PTZ Mode	5 Pattern, 8 Tour, Auto Pan, Auto Scan		
Speed Setup	Human-oriented focal length/ speed adaptation		
Power up Action	Auto restore to previous PTZ and lens status after power failure		
Idle Motion	Activate Preset/Pan/Scan/Tour/Pattern if there is no command in the specified period		

DH-SD6523E/36E/70-H

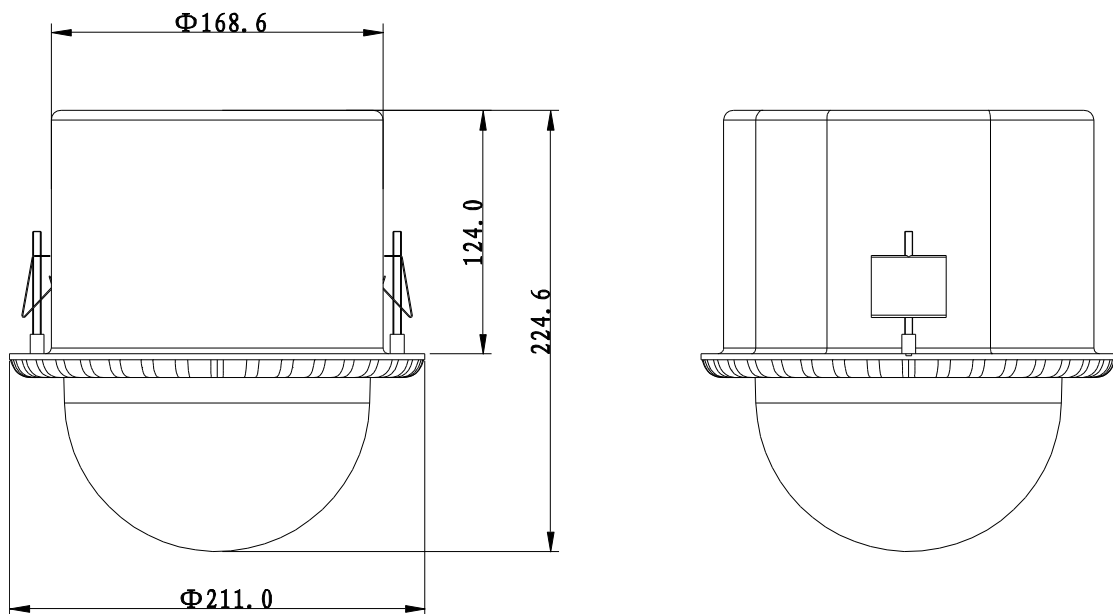
Time Task	Auto activation of Preset/Pan/Scan/Tour/Pattern by preset-time
Protocol	DH-SD, Pelco-P/D (Auto recognition)
Auxiliary Interface	
RS485	1 port
Alarm	7/2 channel In/Out
General	
Power Supply	AC24V/3A ($\pm 10\%$), DC12V optional (Outdoor) AC 24V/2.2A ($\pm 10\%$) (Indoor in-ceiling)
Power Consumption	12W, 37W(Heater on) (Outdoor) 15W, 40W(Heater on) (Indoor in-ceiling)
Working Environment	-40°C ~ 60°C / Less than 90% RH
Ingress Protection	IP67 (Outdoor)
Vandal Resistance	IK10 (optional)
Dimensions	$\Phi 222(\text{mm}) \times 322(\text{mm})$ (Outdoor) $\Phi 211(\text{mm}) \times 224.6(\text{mm})$ (Indoor in-ceiling)
Weight	5.0kg

DH-SD6523E/36E/70-H

Dimensions (mm)



DH-SD6523E/36E/70-H (Outdoor)







DH-SD65C23E/36E/70-H (Indoor in-ceiling)





DH-SD6523E/36E/70-H

Accessories (only for Outdoor series)

		
DH-69FB	DH-PFA111	Power Supply

Accessories (Optional only for Outdoor series)

			
DH-PFB300C	DH-PFB301C	DH-PFA112	DH-PFA113

			
DH-PFB301S	DH-PFA120	DH-PFA150	DH-PFA151

Dahua Technology Co., Ltd.

1187 BinAn Road, Binjiang District, Hangzhou, China

Tel: +86-571-87688883

Fax: +86-571-87688815

Email: overseas@dahuatech.com

www.dahuasecurity.com

*Design and specifications are subject to change without notice.

© 2013 Dahua Technology