

## DH-SD6423C/23/30/36/70-HN

23x/30x/36x D1 Network IR PTZ Dome Camera

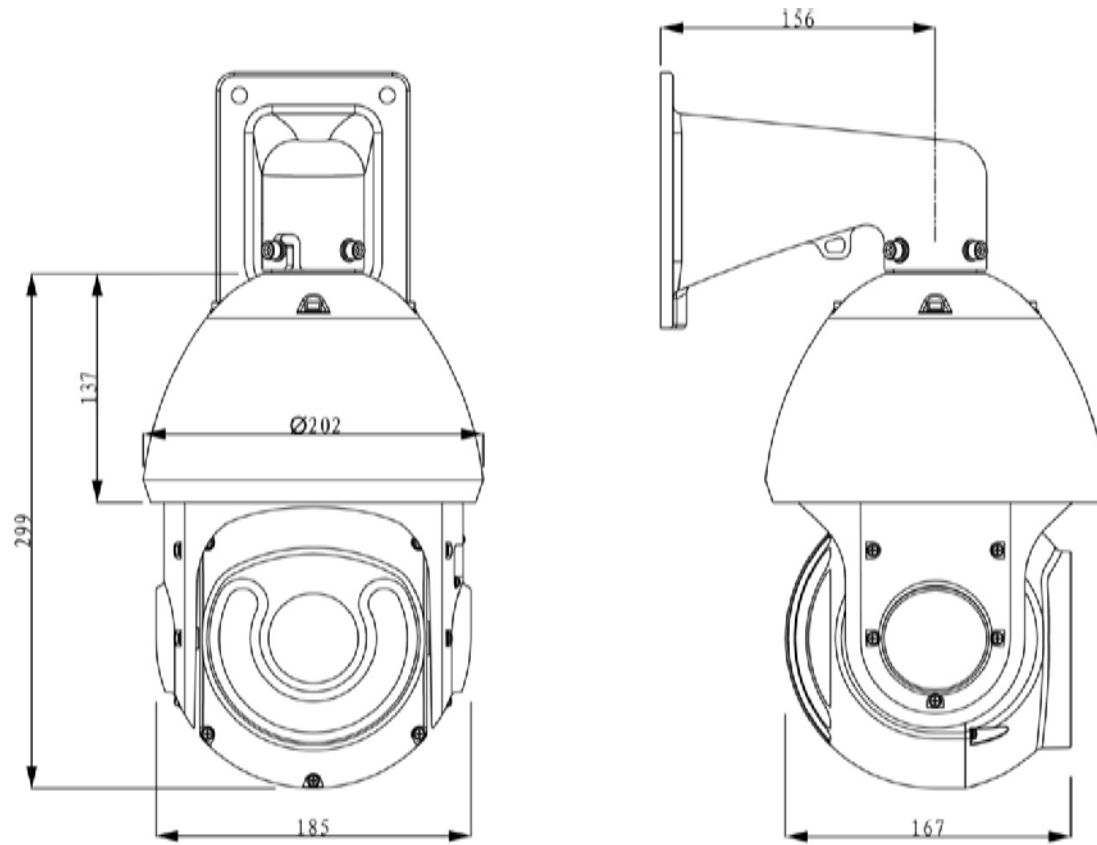


### Features

- Powerful 23x/30x/36x optical zoom
- H.264 & MJPEG dual-stream encoding and JPEG image capture
- 25/30fps@D1(4CIF)/CIF/VGA resolution
- DWDR, Day/Night (ICR), DNR (2D&3D), Auto iris, Auto focus, AWB, AGC, BLC
- Multiple network monitoring: Web viewer, CMS(DSS/PSS) & DMSS
- Max 240°/s pan speed, 360° continuous pan rotation
- Up to 255 presets, 5 auto scan, 8 tour, 5 pattern
- Built-in 7/2 alarm in/out
- Support intelligent 3D positioning with DH-SD protocol
- Micro SD memory, IP66, IR LEDs up to 80m

## DH-SD6423C/23/30/36/70-HN

### Dimensions (mm)



## DH-SD6423C/23/30/36/70-HN

### Technical Specifications:

Model	DH-SD6423C-HN	DH-SD6423-HN	DH-SD6430-HN	DH-SD6436-HN	DH-SD6470-HN
<b>Camera</b>					
Image Sensor	1/4"CMOS	1/4" Super HAD CCD II			1/3" EXview HAD CCD II
Effective Pixels	640(H) × 480(V)	752(H) × 582(V) / 768 (H) × 494(V)			976(H) × 582(V) / 976(H) × 494(V)
Scanning System	Progressive	Interlacing			
Electronic Shutter Speed	1/50(60)s~1/100,000s	1/1s ~1/100,000s			
Min. Illumination	Color:0.5Lux/F1.6 B/W: 0.05Lux/F1.6	Color: 0.01 Lux/F1.6 B/W: 0.001Lux/F1.6			Color:0.001Lux/F1.6 B/W: .0001Lux/F1.6
S/N Ratio	More than 50dB				
Video Output	BNC(1.0Vp-p/75Ω), PAL / NTSC				
<b>Camera Features</b>					
Max. IR LEDs Length	80m				
Day/Night	Auto(ICR) / Color / B/W				
Backlight Compensation	BLC	BLC / HLC / DWDR (Digital WDR)			
White Balance	Auto, ATW, Indoor, Outdoor, Manual				
Gain Control	Auto / Manual				
Noise Reduction	2D	2D / 3D			
Digital Zoom	N.A.	16x			
<b>Lens</b>					
Focal Length	3.9 mm~89.7mm (23x Optical zoom)	3.9mm~89.7mm (23x Optical zoom)	3.4mm~102mm (30x Optical zoom)	3.4mm~122.4mm (36x Optical zoom)	3.9mm ~ 89.7mm (23x Optical zoom)
Max Aperture	F1.6~ F3.7	F1.6~ F3.7	F1.6~F4.5	F1.6~ F4.5	F1.6~ F2.7
Focus Control	Auto / Manual				
Angle of View	H: 53.5° ~2.62°	H: 61.68° ~ 3.06°	H: 57.8°~2.3°	H: 57.8°~1.7°	H: 57.58°~ 3.12°
Close Focus Distance	100mm~1000mm				
<b>PTZ</b>					
Pan/Tilt Range	Pan: 0° ~ 360° endless; Tilt: -15° ~ 90°, auto flip 180°				
Manual Control Speed	Pan: 0.1° ~ 160°/s; Tilt: 0.1° ~120°/s				
Preset Speed	Pan: 240°/s; Tilt:200°/s				
Preset	80(DH-SD) , 255(Pelco-P/D)				
PTZ Mode	5 Pattern, 8 Tour, Auto Pan, Auto Scan				

## DH-SD6423C/23/30/36/70-HN

Speed Setup	Human-oriented focal length/ speed adaptation	
Power up Action	Auto restore to previous PTZ and lens status after power failure	
Idle Motion	Activate Preset/Pan/Scan/Tour/Pattern if there is no command in the specified period	
Time Task	Auto activation of Preset/Pan/Scan/Tour/Pattern by preset-time	
Protocol	DH-SD, Pelco-P/D (Auto recognition)	
<b>Video</b>		
Compression	H.264 / MJPEG	
Resolution	D1(704×576/704×480) / CIF(352×288/352×240) / QCIF(176×144/176×128) / VGA(640×480)	
Record Speed	Main Stream	1~25/30fps at all resolution
	Sub Stream	1~25/30fps at all resolution
Bit Rate	56K ~ 4096Kbps	
<b>Audio</b>		
Compression	G.711a(32Kbps) / AMR(10.2Kbps)	
Interface	1/1 channel In/Out	
<b>Network</b>		
Ethernet	RJ-45 (10/100Base-T)	
Protocol	IPv4/IPv6, HTTP, HTTPS, SSL, TCP/IP, UDP, UPnP, ICMP, IGMP, SNMP, RTSP, RTP, SMTP, NTP, DHCP, DNS, PPPOE, DDNS, FTP, IP Filter, QoS, Bonjour	
ONVIF	ONVIF Ver. 2.0 conformance	
Max. User Access	20 users	
Smart Phone	iPhone, iPad, Android, Windows Phone	
<b>Auxiliary Interface</b>		
Memory Slot	Micro SD, Max 32GB	
RS485	1	
Alarm	7/2 channel In/Out	
<b>General</b>		
Power Supply	AC24V/3A (±10%), DC12V optional	
Power Consumption	13W, 25W(IR on, Heater on)	
Working Environment	-40°C ~ 60°C / Less than 90% RH	
Ingress Protection	IP66	
Dimensions	Φ222(mm) x 324 (mm)	
Weight	5.0kg	

## **DH-SD6423C/23/30/36/70-HN**

---

### **Dahua Technology Co., Ltd.**

1187 BinAn Road, Binjiang District, Hangzhou, China

Tel: +86-571-87688883

Fax: +86-571-87688815

Email: [overseas@dahuatech.com](mailto:overseas@dahuatech.com)

[www.dahuatech.com](http://www.dahuatech.com)

\*Design and specifications are subject to change without notice.

© 2012 Dahua Technology Co., Ltd.