

## DH-SD63120S-HN

---

### 1.3Mp HD Cost-effective Network PTZ Dome Camera



#### Features

- 20x optical zoom
- H.264 & MJPEG dual-stream encoding
- Max. 25/30fps@1.3M(1280×960) & 720P resolution
- DWDR, Day/Night(ICR), Ultra DNR, Auto iris, Auto focus
- Multiple network monitoring: Web viewer, CMS(DSS/PSS) & DMSS
- Max 300°/s pan speed, 360° endless pan rotation
- Up to 255 presets, 5 auto scan, 8 tour, 5 pattern
- Built-in 2/1 alarm in/out
- Support intelligent 3D positioning with DH-SD protocol
- Micro SD memory, IP66, IK10

## DH-SD63120S-HN

### Technical Specifications

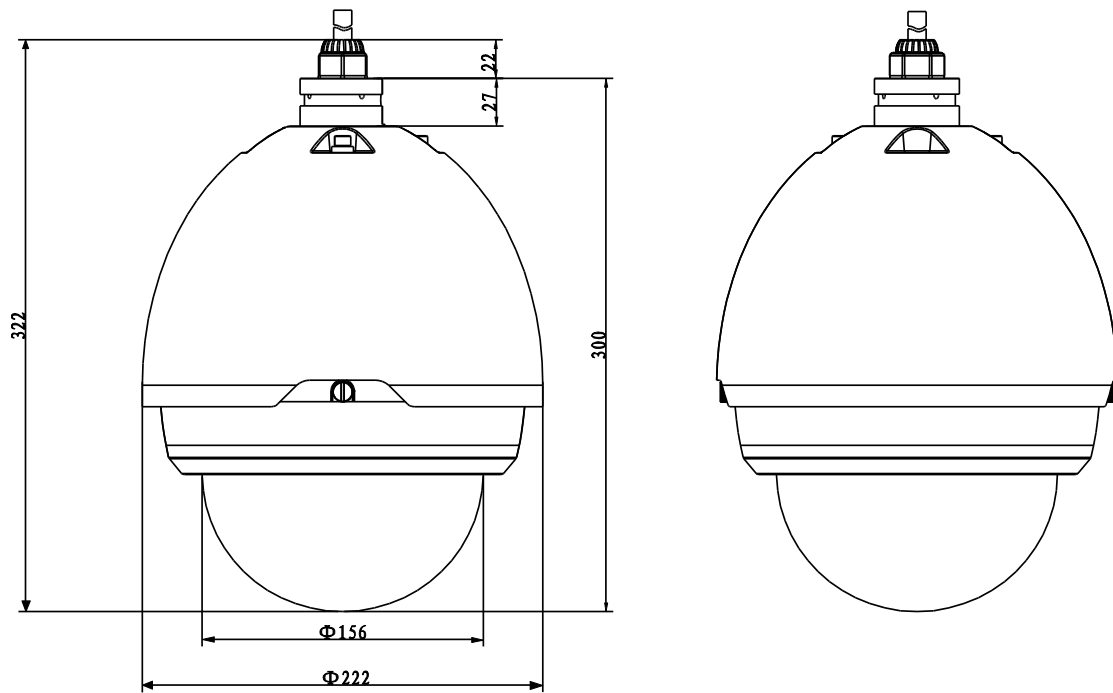
<b>Model</b>	<b>DH-SD63120S-HN</b>	
<b>Camera</b>		
Image Sensor	1/3" Exmor CMOS	
Effective Pixels	1280(H) x 960(V)	
Scanning System	Progressive	
Electronic Shutter Speed	1/1 ~ 1/30,000s	
Min. Illumination	Color: 0.05Lux@F1.4; B/W: 0.005Lux@F1.4	
S/N Ratio	More than 50dB	
Video Output	BNC(1.0Vp-p/75Ω), PAL / NTSC	
<b>Camera Features</b>		
Day/Night	Auto(ICR) / Color / B/W	
Backlight Compensation	BLC / HLC / DWDR (Digital WDR)	
White Balance	Auto, ATW, Indoor, Outdoor, Manual	
Gain Control	Auto / Manual	
Noise Reduction	Ultra DNR (2D/3D)	
Privacy Masking	Up to 24 areas	
Digital Zoom	16x	
<b>Lens</b>		
Focal Length	4.7mm~94mm(20x Optical zoom)	
Max Aperture	F1.4 ~ F2.6	
Focus Control	Auto / Manual	
Angle of View	H: 54.1° ~ 3.2°	
Close Focus Distance	100mm~ 1000mm	
<b>PTZ</b>		
Pan/Tilt Range	Pan: 0° ~ 360° endless; Tilt: -2° ~ 90°, auto flip 180°	
Manual Control Speed	Pan: 0.1° ~300° /s; Tilt: 0.1° ~150° /s	
Preset Speed	Pan: 300° /s; Tilt: 200° /s	
Preset	80(DH-SD), 255(Pelco-P/D)	
PTZ Mode	5 Pattern, 8 Tour, Auto Pan, Auto Scan	
Speed Setup	Human-oriented focal length/ speed adaptation	
Power up Action	Auto restore to previous PTZ and lens status after power failure	
Idle Motion	Activate Preset/ Pan/ Scan/ Tour/ Pattern if there is no command in the specified period	
Protocol	DH-SD, Pelco-P/D (Auto recognition)	
<b>Video</b>		
Compression	H.264 / MJPEG	
Resolution	1.3M(1280×960) / 720P(1280×720) / D1(704×576/ 704×480) /CIF (352×288/352×240)	
Frame Rate	Main Stream	1.3M/ 720P (1 ~ 25/30fps)
	Sub Stream	D1/CIF(1 ~ 25/30fps)

## DH-SD63120S-HN

Bit Rate	H.264: 448K ~ 8192Kbps, MJPEG: 5120K ~ 10240Kbps
<b>Audio</b>	
Compression	G.711a / G.711u(32kbps)/ PCM(128kbps)
Interface	1/1 channel In/Out
<b>Network</b>	
Ethernet	RJ-45 (10/100Base-T)
Protocol	IPv4/ IPv6, HTTP, HTTPS, SSL, TCP/IP, UDP, UPnP, ICMP, IGMP, SNMP, RTSP, RTP, SMTP, NTP, DHCP, DNS, PPPOE, DDNS, FTP, IP Filter, QoS, Bonjour, 802.1x
Compatibility	ONVIF PSIA CGI
Max. User Access	20 users
Smart Phone	iPhone, iPad, Android, Windows Phone
<b>Auxiliary Interface</b>	
Memory Slot	Micro SD, Max 64GB
RS485	1
Alarm	2/1 channel In/Out
<b>General</b>	
Power Supply	AC 24V/3A (±10%)
Power Consumption	9.5W, 21W (Heater on)
Working Environment	-40°C ~ 60°C / Less than 90% RH
Ingress Protection	IP66
Vandal Resistance	IK10
Dimensions	Φ222(mm) x 322(mm)
Weight	6.8kg

# DH-SD63120S-HN

## Dimensions (mm)



## Accessories

		
DH-PFB303W	DH-PFA111	Power Supply

## DH-SD63120S-HN

### Accessories (Optional)

					
PFB300C	PFA112	PFA113	PFA120	PFA150	PFA151

---

### Dahua Technology Co., Ltd.

1187 BinAn Road, Binjiang District, Hangzhou, China

Tel: +86-571-87688883

Fax: +86-571-87688815

Email: [overseas@dahuatech.com](mailto:overseas@dahuatech.com)

[www.dahuasecurity.com](http://www.dahuasecurity.com)

\*Design and specifications are subject to change without notice.

© 2013 Dahua Technology