

## DH-SD60220T-HN

---

### 2 Megapixel Full HD 20x Network PTZ Dome Camera



#### Features

- 20x optical zoom
- Support Triple-streams encoding
- Max. 25/30fps@1080P, 25/30/50/60fps@720P resolution
- DWDR, Day/Night(ICR), Ultra DNR, Auto iris, Auto focus
- Multiple network monitoring: Web viewer, CMS(DSS/PSS) & DMSS
- Max 600°/s pan speed, 360° endless pan rotation
- Up to 300 presets, 5 auto scan, 8 tour, 5 pattern
- Built-in 7/2 alarm in/out
- $\pm 25\%$  wide range voltage input.
- Support intelligent 3D positioning with DH-SD protocol
- Micro SD memory, IP67, IK10

# DH-SD60220T-HN

## Technical Specifications

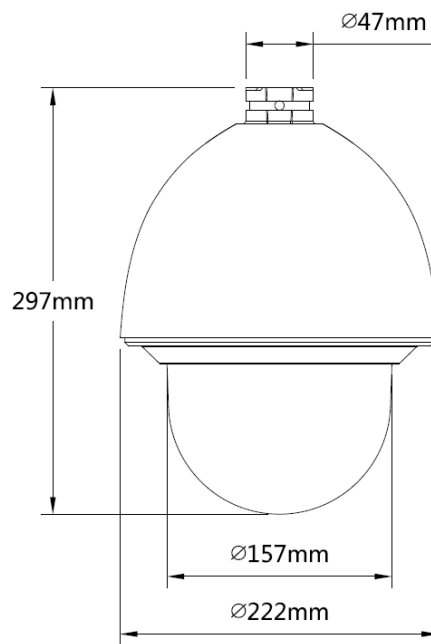
<b>Model</b>	<b>DH-SD60220T-HN</b>
<b>Camera</b>	
Image Sensor	1/2.8" Exmor CMOS
Effective Pixels	1920(H)×1080(V)
Scanning System	Progressive
Electronic Shutter Speed	1/1 ~ 1/30,000s
Min. Illumination	Color: 0.05Lux@F1.4; B/W: 0.005Lux@F1.4
S/N Ratio	More than 50dB
Video Output	BNC(1.0Vp-p/75Ω), PAL / NTSC
<b>Camera Features</b>	
Day/Night	Auto(ICR) / Color / B/W
Backlight Compensation	BLC / HLC / DWDR (Digital WDR)
White Balance	Auto, ATW, Indoor, Outdoor, Manual
Gain Control	Auto / Manual
Noise Reduction	Ultra DNR (2D/3D)
Privacy Masking	Up to 24 areas
Digital Zoom	16x
<b>Lens</b>	
Focal Length	4.7mm ~ 94.0mm (20x Optical zoom)
Max Aperture	F1.4 ~ F2.6
Focus Control	Auto / Manual
FOV-H	H: 56.1° ~ 3.1°
Close Focus Distance	100mm~ 1000mm
<b>PTZ</b>	
Pan/Tilt Range	Pan: 0° ~ 360° endless; Tilt: -15° ~ 90°, auto flip 180°
Manual Control Speed	Pan: 0.1° ~300° /s; Tilt: 0.1° ~150° /s
Preset Speed	Pan: 600° /s; Tilt: 500° /s
Preset	300
PTZ Mode	5 Pattern, 8 Tour, Auto Pan, Auto Scan
Speed Setup	Human-oriented focal length/ speed adaptation
Power up Action	Auto restore to previous PTZ and lens status after power failure
Idle Motion	Activate Preset/ Pan/ Scan/ Tour/ Pattern if there is no command in the specified period
Protocol	DH-SD, Pelco-P/D (Auto recognition)
<b>Video</b>	
Compression	H.264 / MJPEG
Resolution	1080P(1920×1080) / 720P(1280×720) / D1(704×576/ 704×480) /CIF (352×288/352×240)

## DH-SD60220T-HN

Frame Rate	Main Stream	1080P/ D1 (1 ~ 25/30fps), 720P(1~50/60fps)
	Sub Stream 1	D1/CIF(1 ~ 25/30fps)
	Sub Stream 2	720P/D1/ CIF (1 ~ 25/30fps)
Bit Rate		H.264: 56K ~ 8192Kbps, MJPEG: 56K ~ 20480Kbps
<b>Audio</b>		
Compression		G.711a / G.711u(32kbps)/ PCM(128kbps)
Interface		1/1 channel In/Out
<b>Intelligent Function</b>		
IVS(Optional)		Tripwire, Intrusion, Abandoned Object Detection, Missing Object Detection,
Face Detection		Support
<b>Network</b>		
Ethernet		RJ-45 (10/100Base-T)
Protocol		IPv4/ IPv6, HTTP, HTTPS, SSL, TCP/IP, UDP, UPnP, ICMP, IGMP, SNMP, RTSP, RTP, SMTP, NTP, DHCP, DNS, PPPOE, DDNS, FTP, IP Filter, QoS, Bonjour, 802.1x
Compatibility		ONVIF PSIA CGI
Max. User Access		20 users
Smart Phone		iPhone, iPad, Android, Windows Phone
<b>Auxiliary Interface</b>		
Memory Slot		Micro SD, Max 64GB
RS485		1
Alarm		7/2 channel In/Out
<b>General</b>		
Power Supply		AC 24V/3A (±25%) POE plus(802.3at)
Power Consumption		13W,20W (Heater on)
Working Environment		-40°C ~ 70°C / Less than 90% RH
Ingress Protection		IP67, IK10
Dimensions		Φ222(mm) x 297(mm)
Weight		6.2kg

# DH-SD60220T-HN

## Dimensions (mm)



## Accessories




		
DH-PFB303W	DH-PFA111	Power Supply

## DH-SD60220T-HN

---

### Accessories (Optional)

		
DH-PFB300C	DH-PFA112	DH-PFA113

		
DH-PFA120	DH-PFA150	DH-PFA151

---

### Dahua Technology Co., Ltd.

1199 BinAn Road, Binjiang District, Hangzhou, China

Tel: +86-571-87688883

Fax: +86-571-87688815

Email: [overseas@dahuatech.com](mailto:overseas@dahuatech.com)

[www.dahuasecurity.com](http://www.dahuasecurity.com)

\*Design and specifications are subject to change without notice.

© 2016 Dahua Technology