

## DH-SD5923C-H

---

### 23x Ultra-high Speed IR PTZ Dome Camera



#### Features

- Powerful 23x optical zoom
- High resolution@540TVL
- DWDR, Day/Night(ICR), Ultra DNR, Auto iris, Auto focus
- Max 400°/s pan speed, 360° endless pan rotation
- Up to 300 presets, 5 auto scan, 8 tour, 5 pattern
- Built-in 2/1 alarm in/out
- Support intelligent 3D positioning with DH-SD protocol
- IR Distance up to 100m
- IP66

# DH-SD5923C-H

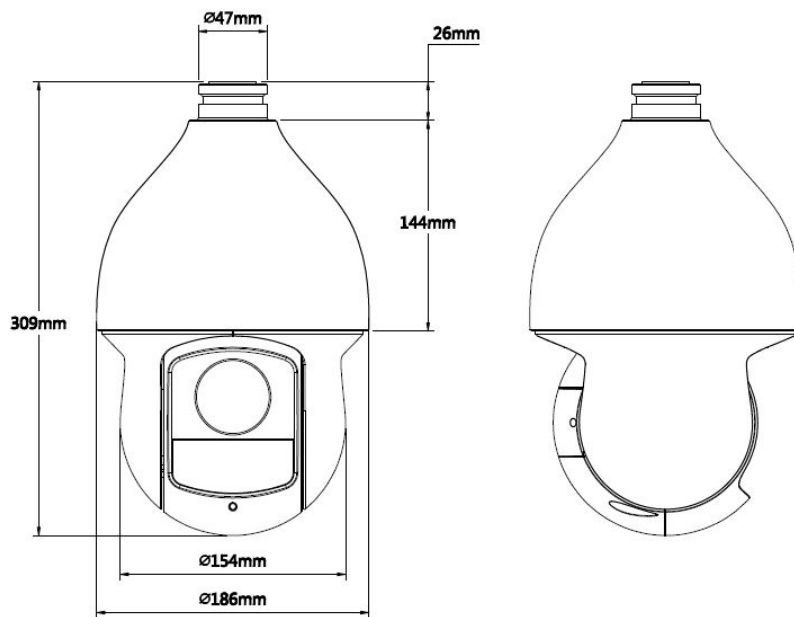
## Technical Specifications

<b>Model</b>	<b>DH-SD5923C-H</b>
<b>Camera</b>	
Image Sensor	1/4" CMOS
Effective Pixels	640(H) x 480(V)
Scanning System	Progressive
Electronic Shutter Speed	1/1 ~ 1/30,000s
Min. Illumination	Color: 0.5Lux@F1.6; B/W: 0.05Lux@F1.6
S/N Ratio	More than 55dB
Video Output	BNC (1.0Vpp/75Ω), PAL/NTSC
<b>Camera Features</b>	
Day/Night	Auto(ICR) / Color / B/W
Backlight Compensation	BLC / HLC / DWDR (Digital WDR)
White Balance	Auto, ATW, Indoor, Outdoor, Manual
Gain Control	Auto / Manual
Noise Reduction	Ultra DNR (2D/3D)
Privacy Masking	Up to 24 areas
Digital Zoom	16x
<b>Lens</b>	
Focal Length	3.9mm~89.7mm (23x Optical zoom)
Max Aperture	F1.6~ F3.7
Focus Control	Auto / Manual
Angle of View	53.5° ~ 2.6°
<b>PTZ</b>	
Pan/Tilt Range	Pan: 0° ~ 360° endless; Tilt: -15° ~ 90°, auto flip 180°
Manual Control Speed	Pan: 0.1° ~300° /s; Tilt: 0.1° ~200° /s
Preset Speed	Pan: 400° /s; Tilt: 300° /s
Preset	300
PTZ Mode	5 Pattern, 8 Tour, Auto Pan, Auto Scan
Speed Setup	Human-oriented focal length/ speed adaptation
Power up Action	Auto restore to previous PTZ and lens status after power failure
Idle Motion	Activate Preset/ Pan/ Scan/ Tour/ Pattern if there is no command in the specified period
Protocol	DH-SD, Pelco-P/D (Auto recognition)
IR Distance	100m
<b>Auxiliary Interface</b>	
RS485	1 Port
Alarm	2/1 channel In/Out
<b>General</b>	
Power Supply	AC24V (±10%)

## DH-SD5923C-H

Power Consumption	13W, 23W (IR on)
Working Environment	-40°C ~ 70°C / Less than 90% RH
Ingress Protection	IP66
Dimensions	Φ186.0(mm) x 309(mm)
Weight	3.5kg

### Dimensions (mm)






### Accessories

		
DH-PFB300S	DH-PFA110	Power Supply

### Accessories (Optional)

## DH-SD5923C-H

		
DH-PFB300C	DH-PFA112	DH-PFA113

		
DH- PFA120	DH-PFA150	DH-PFA151

---

**Dahua Technology Co., Ltd.**

1199 BinAn Road, Binjiang District, Hangzhou, China

Tel: +86-571-87688883

Fax: +86-571-87688815

Email: [overseas@dahuatech.com](mailto:overseas@dahuatech.com)

[www.dahuasecurity.com](http://www.dahuasecurity.com)

\*Design and specifications are subject to change without notice.

© 2014 Dahua Technology