

DH-SD50230T-HN

2 Megapixel Full HD 30x Ultra-high Speed Network PTZ Dome Camera



Features

- 30x optical zoom
- Support Triple-streams encoding
- Max. 25/30fps@1080P(1920×1080) & 50/60fps@720P resolution
- DWDR, Day/Night(ICR), Ultra DNR, Auto iris, Auto focus
- Multiple network monitoring: Web viewer, CMS(DSS/PSS) & DMSS
- Max 500°/s pan speed, 360° endless pan rotation
- Up to 300 presets, 5 auto scan, 8 tour, 5 pattern
- Built-in 2/1 alarm in/out
- Support intelligent 3D positioning with DH-SD protocol
- Micro SD memory, IP67, IK10

DH-SD50230T-HN

Technical Specifications

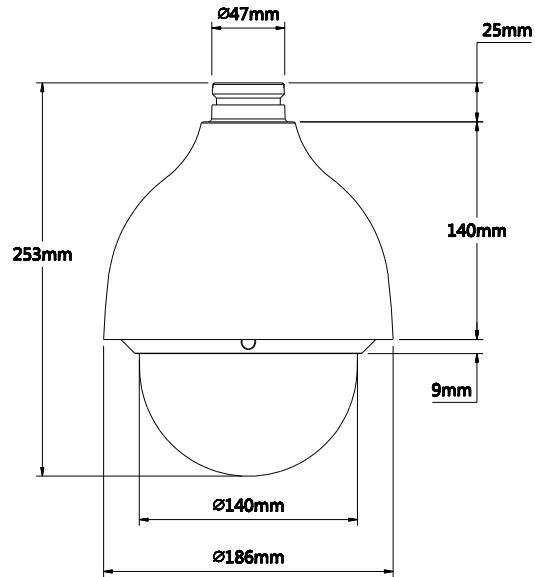
Model	DH-SD50230T-HN	
Camera		
Image Sensor	1/2.8" Exmor CMOS	
Effective Pixels	1920(H) x 1080(V), 2Megapixels	
Scanning System	Progressive	
Electronic Shutter Speed	1/3 ~ 1/30,000s	
Min. Illumination	Color: 0.05Lux@F1.6; B/W: 0.005Lux@F1.6	
S/N Ratio	More than 55dB	
Camera Features		
Day/Night	Auto(ICR) / Color / B/W	
Backlight Compensation	BLC / HLC / DWDR (Digital WDR)	
White Balance	Auto, ATW, Indoor, Outdoor, Manual	
Gain Control	Auto / Manual	
Noise Reduction	Ultra DNR (2D/3D)	
Privacy Masking	Up to 24 areas	
Digital Zoom	16x	
Lens		
Focal Length	4.5mm~135mm (30x Optical zoom)	
Max Aperture	F1.6~ F4.4	
Focus Control	Auto / Manual	
FOV-H	H: 67.8° ~ 2.4°	
Close Focus Distance	100mm~1000mm	
PTZ		
Pan/Tilt Range	Pan: 0° ~ 360° endless; Tilt: 0° ~ 90°, auto flip 180°	
Manual Control Speed	Pan: 0.1° ~ 350° /s; Tilt: 0.1° ~ 250° /s	
Preset Speed	Pan: 500° /s; Tilt: 500° /s	
Preset	300	
PTZ Mode	5 Pattern, 8 Tour, Auto Pan, Auto Scan	
Speed Setup	Human-oriented focal length/ speed adaptation	
Power up Action	Auto restore to previous PTZ and lens status after power failure	
Idle Motion	Activate Preset/ Pan/ Scan/ Tour/ Pattern if there is no command in the specified period	
Protocol	DH-SD(Auto recognition)	
Video		
Compression	H.264 / MJPEG	
Resolution	1080P(1920×1080)/ 720P(1280×720) / D1(704×576/ 704×480) /CIF (352×288/352×240)	
Frame Rate	Main Stream	1080P/ D1 (1 ~ 25/30fps), 720P(1~50/60fps)

DH-SD50230T-HN

	Sub Stream 1	D1/CIF(1 ~ 25/30fps)
	Sub Stream 2	720P/ D1/ CIF (1 ~ 25/30fps)
Bit Rate	H.264: 448K ~ 8192Kbps	
Audio		
Compression	G.711a / G.711Mu(32kbps)/ PCM(128kbps)	
Interface	1/1 channel In/Out	
Intelligent Function		
IVS (optional)	Tripwire, Intrusion, Abandoned Object Detection, Missing Object Detection	
Face Detection	Support	
Network		
Ethernet	RJ-45 (10/100Base-T)	
Protocol	IPv4/ IPv6, HTTP, HTTPS, SSL, TCP/IP, UDP, UPnP, ICMP, IGMP, SNMP, RTSP, RTP, SMTP, NTP, DHCP, DNS, PPPOE, DDNS, FTP, IP Filter, QoS,	
Compatibility	ONVIF PSIA CGI	
Max. User Access	20 users	
Smart Phone	iPhone, iPad, Android, Windows Phone	
Auxiliary Interface		
Memory Slot	Micro SD, Max 128GB	
Alarm	2/1 channel In/Out	
General		
Power Supply	AC24V/1.5A ($\pm 10\%$), POE plus (802.3at)	
Power Consumption	13W,23W (Heater on)	
Working Environment	-40°C ~ 60°C / Less than 90% RH	
Ingress Protection	IP67, IK10	
Dimensions	Φ186.0(mm) x 253(mm)	
Weight	2.5kg	

DH-SD50230T-HN

Dimensions (mm)



Accessories

		
DH-PFB300S	DH-PFA110	Power Supply

DH-SD50230T-HN

Accessories (Optional)

						
DH-PFB 300C	DH-PFA112	DH-PFA113	DH-PFB301 S	DH- PFA120	DH-PFA150	DH-PFA151

Dahua Technology Co., Ltd.

1199 BinAn Road, Binjiang District, Hangzhou, China

Tel: +86-571-87688883

Fax: +86-571-87688815

Email: overseas@dahuatech.com

www.dahuasecurity.com

*Design and specifications are subject to change without notice.

© 2014 Dahua Technology