

DH-SD42C23C-H

23x Mini PTZ Dome Camera



Features

- Powerful 23x optical zoom
- High resolution@540TVL
- Day/Night (ICR), 2DNR, Auto iris, Auto focus, AWB, AGC, BLC
- Max 300°/s pan speed, 360° continuous pan rotation
- Up to 255 presets, 5 auto scan, 8 tour, 5 pattern
- Built-in 2/1 alarm in/out
- Support intelligent 3D positioning with DH-SD protocol
- IK10(Optional)

DH-SD42C23C-H

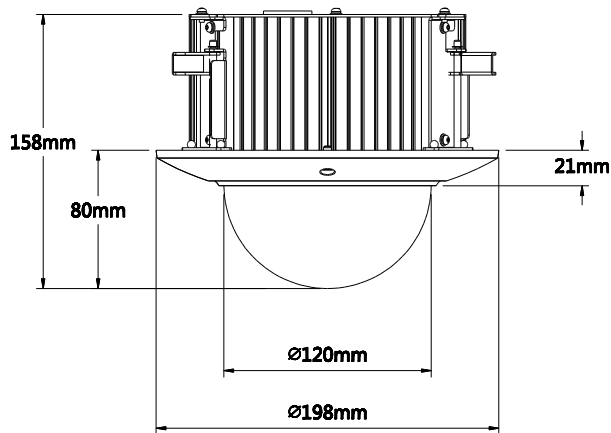
Technical Specifications:

| | |
|----------------------------|--|
| Model | DH-SD42C23C-H |
| Camera | |
| Image Sensor | 1/4" CMOS |
| Effective Pixels | 640(H) × 480(V) |
| Horizontal Resolution | 540TVL |
| Scanning System | Progressive |
| Electronic Shutter Speed | 1/50(60)s ~1/100,000s |
| Min. Illumination | Color: 0.5 Lux/F1.6, B/W: 0.05Lux/F1.6 |
| S/N Ratio | More than 50dB |
| Video Output | BNC(1.0Vp-p/75Ω), PAL / NTSC |
| Camera Features | |
| Day/Night | Auto(ICR) / Color / B/W |
| Backlight Compensation | BLC |
| White Balance | Auto, ATW, Indoor, Outdoor, Manual |
| Gain Control | Auto / Manual |
| Noise Reduction | 2D |
| Privacy Masking | N.A. |
| Digital Zoom | N.A. |
| Lens | |
| Focal Length | 3.9 mm~89.7mm (23x Optical zoom) |
| Max Aperture | F1.6~ F3.7 |
| Focus Control | Auto / Manual |
| Angle of View | H: 61.68° ~ 3.06° |
| Close Focus Distance | 100mm~1000mm |
| PTZ | |
| Pan/Tilt Range | Pan: 0° ~ 360° endless; Tilt: 0° ~ 90°, auto flip 180° |
| Manual Control Speed | Pan: 0.1° ~ 250°/s; Tilt: 0.1° ~150°/s |
| Preset Speed | Pan: 300°/s; Tilt:200°/s |
| Preset | 80(DH-SD) , 255(Pelco-P/D) |
| PTZ Mode | 5 Pattern, 8 Tour, 5 Auto Scan, Auto Pan |
| Speed Setup | Human-oriented focal length/ speed adaptation |
| Power up Action | Auto restore to previous PTZ and lens status after power failure |
| Idle Motion | Activate Preset/Pan/Scan/Tour/Pattern if there is no command in the specified period |
| Protocol | DH-SD, Pelco-P/D (Auto recognition) |
| Auxiliary Interface | |
| RS485 | 1 port |
| Alarm | 2/1 channel In/Out |
| General | |
| Power Supply | AC24V/1.5A (±10%), DC12V optional |

DH-SD42C23C-H

| | | |
|---------------------|---------------------------------|-----|
| Power Consumption | 12W | |
| Working Environment | -20°C ~ 60°C / Less than 90% RH | |
| Ingress Protection | IP66 | N/A |
| Vandal Resistance | IK10(Optional) | |
| Dimensions | Φ198mm×158mm | |
| Weight | 2Kg | |

Dimensions (mm)



Dahua Technology Co., Ltd.

1187 BinAn Road, Binjiang District, Hangzhou, China

Tel: +86-571-87688883

Fax: +86-571-87688815

Email: overseas@dahuatech.com

www.dahuatech.com

*Design and specifications are subject to change without notice.

© 2013 Dahua Technology Co., Ltd.