

DH-PTZ1182A-N

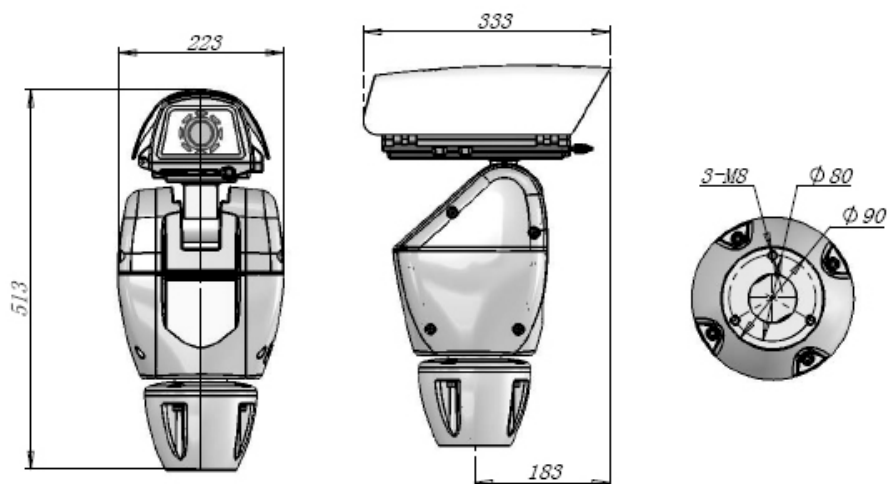
2MP Full HD IP High-Speed Positioning System



Features

- > 1080p Full-HD and 720p HD excellent image quality
- > Powerful 20x optical zoom
- > Pan range: 360° endless, speed up to 100°/s
- > Up to 255 Presets, 8 Tour, 5 Pattern, 5 Auto scan
- > Support intelligent 3D positioning
- > IR LEDs up to 100m (PTZ1182A-IRA-N), IP66
- > IR LEDs up to 200m (PTZ1182A-IRB-N), IP66
- > Multiple network monitoring: Web viewer, CMS(DSS/PSS) & DMSS

Dimensions (mm)



DH-PTZ1182A-N

Technical Specifications

| Model | DH-PTZ1182A-N | DH-PTZ1182A-IRA-N | DH-PTZ1182A-IRB-N |
|--------------------------|--|-------------------|-------------------|
| Camera | | | |
| Camera Model | DH-SDZ2020B-N | | |
| Image Sensor | 1/3" Exmor CMOS | | |
| Effective Pixels | 1920(H) x 1080(V), 2 Megapixels | | |
| Scanning System | Progressive | | |
| Electronic Shutter Speed | 1/1 ~ 1/10,000s | | |
| Min. Illumination | Color: 0.05Lux@F1.6, B/W: 0.005Lux@F1.6 | | |
| S/N Ratio | More than 50dB | | |
| Day/Night | Auto(ICR) / Color / B/W | | |
| Backlight Compensation | BLC / HLC / DWDR(Digital WDR) | | |
| White Balance | Auto, ATW, Indoor, Outdoor, Manual | | |
| Gain Control | Auto / Manual | | |
| Noise Reduction | 2D / 3D | | |
| Privacy Masking | Up to 24 areas | | |
| Digital Zoom | 16x | | |
| Video Output | BNC(1.0Vp-p/75Ω), PAL / NTSC | | |
| Lens | | | |
| Focal Length | 4.7mm ~ 94mm(20x Optical zoom) | | |
| Max Aperture | F1.6 ~ F3.5 | | |
| Focus Control | Auto / Manual | | |
| Angle of View | H: 58.2° ~ 2.9° | | |
| Close Focus Distance | 10mm ~ 1000mm | | |
| Video | | | |
| Compression | H.264 / MJPEG | | |
| Resolution | 1080P(1920×1080) / 1.3M(1280×960) / 720P(1280×720) / D1(704×576/704×480) / CIF(352×288/352×240) | | |
| Frame Rate | Main Stream: 25/30fps@1080P/720P | | |
| | Sub Stream: 25/30fps@D1/CIF | | |
| Bit Rate | H.264: 56K ~ 8192Kbps, MJPEG: 56K ~ 20480Kbps | | |
| Network | | | |
| Ethernet | RJ-45 (10/100Base-T) | | |
| Protocol | IPv4/IPv6, HTTP, HTTPS, SSL, TCP/IP, UDP, UPnP, ICMP, IGMP, SNMP, RTSP, RTP, SMTP, NTP, DHCP, DNS, PPPOE, DDNS, FTP, IP Filter, QoS, Bonjour | | |
| ONVIF | ONVIF Ver. 2.0 conformance | | |
| Max. User Access | 20 users | | |
| Smart Phone | iPhone, iPad, Android, Windows Phone | | |
| Pan/Tilt System | | | |
| Pan Range | 360° endless | | |
| Pan Speed | 0.1° ~ 100°/sec | 0.1° ~ 75°/sec | |
| Tilt Range | -90° ~ 40° | | |

DH-PTZ1182A-N

| | | | |
|----------------------------|--|-----------|------|
| Tilt Speed | 0.1° ~40°/sec | | |
| Positioning Accuracy | ±0.02° | | |
| Preset | 255 | | |
| Tour | 8 | | |
| Pattern | 5 | | |
| Auto Scan | 5 | | |
| Idle Motion | Support | | |
| 3D Positioning | Support | | |
| Preset Auto-Calibration | Support | | |
| Remote P/T/Z Reset | Support | | |
| Wiper | Built-in | | |
| LED Infrared Light | | | |
| Max. IR LEDs Length | N.A. | 100m | 200m |
| IR Wave Length | N.A. | 800~900nm | |
| IR Emission Angle | N.A. | ≤30° | |
| Auxiliary Interface | | | |
| Memory Slot | Micro SD, Max 32GB | | |
| RS485 | Duplex | | |
| Alarm | 2/1 channel In/Out | | |
| General | | | |
| Power Supply | AC 24V/5A | | |
| Power Consumption | ≤100W | | |
| Working Environment | -40°C ~ 60°C / Less than 90% RH | | |
| Protection | IP66, All-metal aluminum alloy, 6000V anti-lightning surge | | |
| Weight | 18.3Kg | 21Kg | |

Dahua Technology Co., Ltd.

1187 BinAn Road, Binjiang District, Hangzhou, China

Tel: +86-571-87688883

Fax: +86-571-87688815

Email:overseas@dahuatech.com

www.dahuasecurity.com

*Design and specifications are subject to change without notice.

© 2013 Dahua Technology Co., Ltd.